



**PROMATION
ENGINEERING**

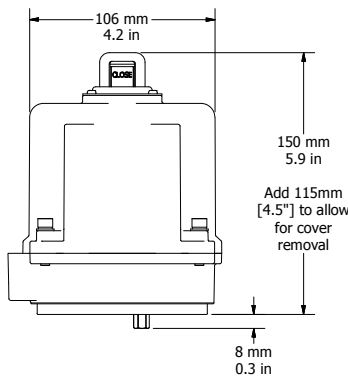
Precision Actuation for Industry

Workhorse Electric Actuators

P1 Series for Industrial and OEM Applications.



**A P1-120VN4 Actuator and a
P1.A-24VN4 Actuator**



**P1-120-N4 Side View
Dimensional Data**



**A P1.A-120PN4 electric
actuator mounted on a 4
inch butterfly valve**

Industrial grade tough: P1 and P1.A Industrial Actuators are compact quarter turn electric actuators which provide low torque solutions for industrial valve or damper control.

Compact: These compact actuators are designed for limited-space situations and are reliable, industrial grade solutions for smaller valve and damper applications. They have durable, powder coated, cast aluminum alloy housings and are some of the smallest actuators on the market that feature raised position indicators and manual override capability.

- P1 - Constant torque of 300 in lbs / 35Nm, 12 seconds for 90° of travel
- P1.A - Constant torque of 445 in lbs / 50Nm, 20 seconds for 90° of travel
- P1.B - Constant torque of 135 in lbs / 15Nm, 8 seconds for 90° of travel
- P1.C - Constant torque of 135 in lbs / 15Nm, 3 seconds for 90° of travel
- On/Off/Jog standard
- New lower cost AdVanced Proportional Controller available
- NEMA 4 / 4X / IP67
- Manual Override

The P1, P1.A, P1.B and P1.C Series of quarter-turn electric actuators are designed for the rigors of industrial use. Available in torques of 135 in lbs / 15 Nm, 300 in lbs / 35 Nm, and 445 in lbs / 50 Nm; they are suitable for flow control on butterfly valves, ball valves, or dampers.

- Raised indicators clearly show actuator position
- Anti-condensation heater and two auxiliary switches standard
- 12/24 VDC and 12/24/120/230 VAC options
- ISO 5211 mounting, square drives adaptors readily available for 14mm and 17mm
- Optional 0-180 degree rotation and two wire control

Simple: The P1 mechanical connections are ISO5211 compliant, utilizing an F03/F05/F07 bolt patterns depending on torque output. The manual overrides and raised position indicators at the top of each actuator simplify inspections and operation.

Quality: The cast aluminum alloy housings, steel gear drive trains, and RuggedBoard switchcards are a few of the components in our industrial grade tough actuators. Backed by a manufacturer's 18 month warranty. The high quality of these actuators coupled with our outstanding customer service is an unbeatable combination.

Excellent performance - created for industrial use!

If you have any questions or comments, please feel free to contact us at any time at 352-544-8436.