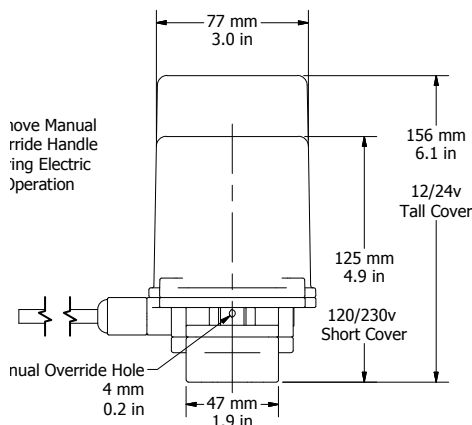


PZ Series Actuators

Little Actuators with Big Muscles.



**A PZ15-120-N4 Actuator
on a 3/4" Full Port Ball Valve**



Drawing Not To Scale



Wiring connection detail

Literally Pint Sized: The PZ Series actuators have an overall volume coming in at 1 and 1.2 pints, (27.5 and 34.5 cubic inches) with heights of 5 and 6 inches for the 120VAC and 24VDC actuators, respectively.

Big Performance: Rated for 45 and 135 in lbs torque with 8 and 19 seconds run time, the PZ6 and PZ15 actuators are ideal for small skid or OEM applications.

Little Setup Work: The travel is set for 90 degrees and rarely needs to be changed from the factory settings. The single throw double pole end of travel switches provide hot electrical outputs that can be used to indicate position. The ISO 5211 F03/05 mounting pattern and 14mm square drive output make mounting straightforward while a 1 meter cable simplifies field wiring.

Quality Construction: The on/off PZ6 and PZ15 are all metal construction with NEMA 4X/IP67 rating, ideal for outdoor use. The actuators have manual override capability that protects the process in case of a power outage.

Specifications:

- 24vac, 120vac, or 230vac
- On/Off /Jog Control Only
- 55" lbs / 6Nm for PZ6
- 135"lbs / 15Nm for PZ15
- NEMA 4 / 4X / IP67 Aluminum enclosure

Features:

- Hot outputs at end of travel (10A max.)
- Manual Override
- ISO 5211 F03/05 mount pattern
- 14mm square drive (adapters available)
- 1 meter prewired cable

Quantity Discounts are available for this product. Please contact your sales representative for details.

If you have any questions or comments, please feel free to contact us at any time at 352-544-8436.