

# PROMATION ENGINEERING

*Precision Actuation for Industry*

## Installation & Operation Manual

This IOM is for the following  
ProMation Engineering Products:

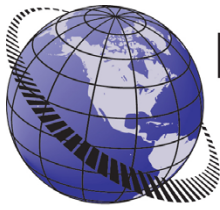
P11-120N4-TS

P11-230N4-TS

P12-120N4-TS

P12-230N4-TS





# PROMATION ENGINEERING

Precision Actuation for Industry

## Field Manual P11/12 HV AC w/TS On/Off/Jog Control ISO5211 F16 R75



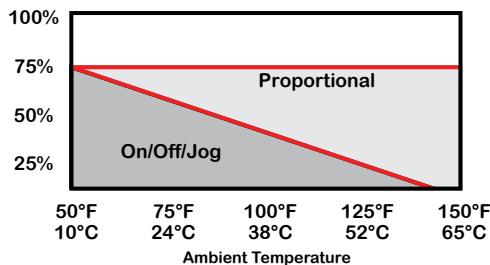
FM14\_P1112 HV N4-TS Ver B 102714

### Table of Contents

2	Product Specifications
3	Shipping and Handling
3	Product Mounting and Setup
4	Wiring Diagram
4	Torque Switches
5	Adjusting the actuator CW position
6	Adjusting the actuator CCW position
7	Adjusting the actuator Auxiliary Switches
8	Mechanical Data
9	Mechanical Data
10	Commissioning
11	Commissioning (continued)

## Product Specifications

These units are equipped with internal torque switches which protect the gear train, motor and controlled equipment from damage when high torque conditions exist. These protective devices are NOT adjustable. More information on this technology is found throughout this manual.



Actuator Specifications	P11		P12	
Torque "lb/Nm	26500"lbs/3000Nm		31000"lbs/3500Nm	
Supply Voltage	120vac	230vac	120vac	230vac
Max Inrush Current	7.0A	4.2A	8.0A	4.4A
Running Current	4.5A	2.5A	4.0A	2.4A
Motor	Split Phase Capacitor			
Runtime (90°@60Hz/vdc)	58 sec		58 sec	
Runtime (90°@50Hz)	70 sec		70 sec	
Duty Cycle	25%			
Motor Starts	1200 per hour			
Weight	157lbs/72kg			
Mechanical Connections	ISO5211 F16 Rnd 75mm			
Electrical Entry	(2) 3/4" NPT			
Electrical Terminations	12-18ga			
Environmental Rating	NEMA 4/4X			
Manual Override	15.6" Handwheel			
Control	On/Off-Jog			
Actuator Case Material	Aluminum Alloy, Powder coated			
Motor Protection	230°F/110°C Thermal F* Class *Totally Enclosed Non-Ventilated Motors			
Ambient Temperature	-22°F to +125°F			
Operating Range	-30°C to +52°C			

## Introduction

This document provides necessary information for set-up, calibration, testing and use of the P Series quarter-turn electric actuators stated on the cover page. Each unit is shipped from the factory with initial calibration of mechanical stops, cams and switches completed for 0-90 degree operation. However, these are general settings and serve as a starting point for proper calibration of the actuator in its real-world application.

## Safety

Safety is a basic factor any time you maintain and operate mechanical equipment. Appropriate handling methods and proper use of tools and clothes can help prevent serious accidents -- accidents which can cause injuries to you or a fellow worker. This manual was created to enable a trained user to install, adjust and troubleshoot your ProMation actuator.

Only competent and trained personnel should install, maintain and operate ProMation Actuators. Any work related to this actuator must be carried out in accordance with this manual and related codes and regulations. Local workplace health and safety rules should always be followed.

## Duty cycle

Duty cycle is the percent of time that an actuator spends running as a fraction of the total time. Duty Cycle is directly related to heat; excessively repositioning an actuator typically results in motor overheating which can cause permanent damage and/or reduced service life.

Duty cycle can be calculated as follows:

(example P2 series actuator running 3 seconds ON and 30 seconds OFF)

Runtime = 3s, Total time = 3s + 30s = 33s, therefore this duty cycle would be 9% (3/33)

Additionally, ProMation P series actuators are designed for a maximum of 1200 starts per hour (one start every 3 seconds maximum).

## Shipping and Handling

1. This actuator is shipped in the FULLY CW position (2 color position indicator shows "CLOSE").
2. **NOTE, THIS ACTUATOR MUST HAVE WATER TIGHT EMT FITTINGS, WITH CONDUIT DRAINAGE INSTALLED AND POWER SUPPLIED TO UNIT TO KEEP THE HEATER WARM AT THE TIME OF INSTALLATION.**
3. **Storage: This unit should NOT be stored outside unless it is powered up and has proper conduit terminations. When NOT powered up, it should be stored in a clean, dry environment at all times.**
4. This actuator has been **factory calibrated to operate between 0 degrees and 90 degrees. Most quarter-turn products will not require recalibration of these settings.** If any travel adjustment is necessary, please refer to pages 5-7 for instructions.



The actuator is shown in its fully CW position. This view of actuator showing the two 12mm drive keyways machined into the 75mm female drive socket.

## Product Mounting and Setup

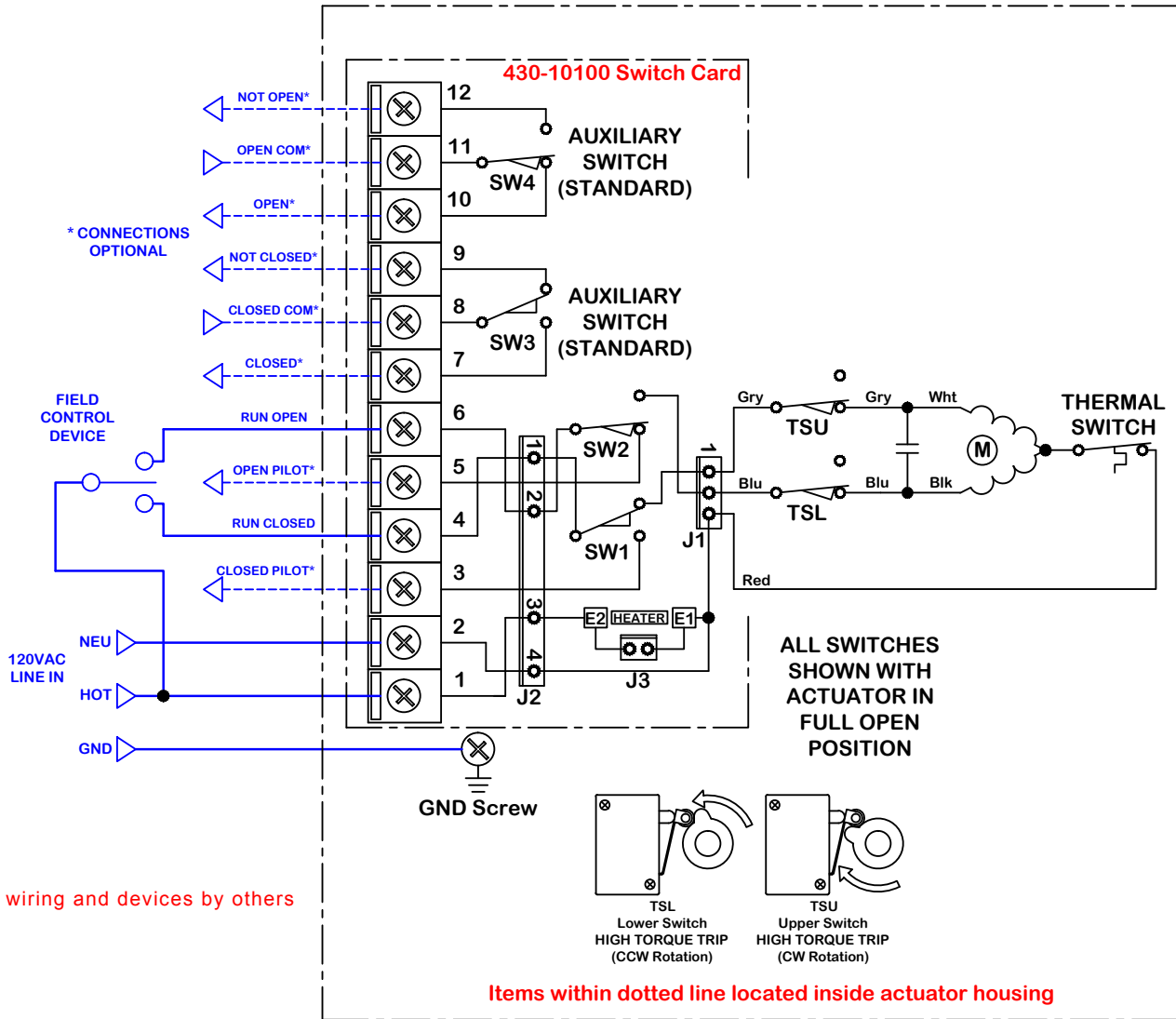
1. Fully CLOSE the valve or damper to which the actuator is to be mounted.
  - Keep in mind this actuator rotates CW (as viewed from above the unit) when driving CLOSED.
2. Assemble necessary linkage components and attach the actuator to the driven device.
3. Tighten mounting bolts, making sure actuator is centered on the device drive shaft.
4. Utilize the handwheel to check for unobstructed manual operation from fully CCW to fully CW positions BEFORE applying power to the unit.
5. Make the electrical connections per wiring diagram on page 4.
  - Connect AC Hot to terminal marked 1 and AC Neu to terminal marked 2.
  - Terminals 7-12 on the switch card (430-10100) are for the (adjustable) aux switches. They are dry type Form C rated 10A @ 250vac MAX.
6. Do NOT apply power at this time.

## Installation Notes

- These actuators are designed to be used between a horizontal and upright position. Do NOT mount the assembly with the actuator top below a horizontal position.
- When installing conduit, use proper techniques for entry into the actuator. Use drip loops to prevent conduit condensate from entering the actuator.
- Mechanical travel stops are factory calibrated for 90 degree operation. These stops are NOT designed to adjust mechanical rotation by more than +/- 3 degrees, they are for positioning the handwheel only.
- Both NPT conduit ports MUST use proper equipment to protect the NEMA 4X integrity of the housing.
- The internal heater is to be used in ALL applications.
- Do NOT install the actuator outdoors or in humid environments unless it is powered up and the heater is functioning.
- Use proper wire size to prevent actuator failure (see chart on page 4 for proper wire sizing).
- All terminals accept 12-18AWG solid/stranded wire.
- **Do NOT parallel wire multiple actuators together without utilizing isolation relays! If this is your intention, please contact ProMation Engineering for a multiple actuator parallel wiring diagram.**

# Wiring Diagram

## On/Off Control



\*120vac Wiring Diagram shown

**WARNING! Do NOT adjust the torque switch cam settings. This will VOID the warranty.**

## Torque Switches

These units are equipped with torque switches which provide mechanical overload protection for both the actuated device and the geartrain. These are factory set and are not adjustable without proper equipment. Torque switches are set to limit actuator torque to approximately 105% of the actuator rated output. The wiring diagram above shows the internal wiring connections between the control board, the torque switches and the motor. The upper torque switch controls loading in the CW direction, while the lower switch controls loading in the CCW direction.

Wire sizing data is provided in the table below to assist in the selection of the proper wire size for ProMation P Series actuators using various wire sizes over distance.

Please make sure to reference the correct voltage and do not exceed the indicated length of the wire run for each model.

### Wire Sizing Chart

Actuator/ Voltage	MAX distance between Actuator and Supply (feet)			
	P11 120VAC	P11 230VAC	P12 120VAC	P12 230VAC
Amps	7.0A	4.2A	8.0A	4.4A
Wire Gage				
18	-	377	-	360
16	-	593	-	566
14	300	957	262	914
12	458	1464	401	1398
10	779	2489	682	2376
8	1163	3715	1018	3546

**Serious Damage to the actuator will result if the motor is allowed to drive the gear train into the mechanical stop!! Remove power from this device BEFORE making any travel adjustments.**

This actuator has been factory calibrated to operate between 0 degrees and 90 degrees. Most quarter-turn products will not require recalibration of these settings.



CW Mechanical Stop

### Loosen Mechanical Stop

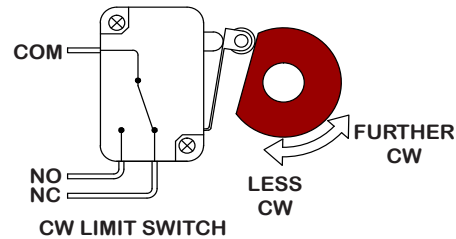
1. BEFORE power is applied, use a 35mm wrench (or channel locks) and a 12mm hex key to loosen the RIGHT SIDE mechanical stop. This is the CW stop limit adjustment. Turn the stop screw 5-6 turns CCW to allow electrical cam stop adjustment without running into the mechanical stop screw.
2. Use the manual hand wheel to position the actuator to your required CW position. This must be within +/- 3 degrees of the factory setting.



Cam 1

### Adjust Cam 1

3. The lower cam is Cam 1, the CW end-of-travel adjustment. Once the actuator is at its required CW position, with POWER OFF, use a 2.5mm hex key to free up the cam set screw. Once it is free, rotate the hex key to the RIGHT 10-15 degrees to reset the switch roller arm. Then snug the set screw up against the camshaft (CW) until slight pressure is felt. Then SLOWLY rotate the hex key pushing the cam to the LEFT until you hear the “click” on the bottom switch indicating that correct adjustment has been achieved. Tighten the set screw.



4. Apply power to the actuator and drive CCW at least 15-20 degrees. Then drive the actuator CW until the cam stops the electrical travel. Check to be sure this is the correct CW position you require. Repeat step 3 if further adjustment is needed.



CW Mechanical Stop

### Tighten Mechanical Stop

5. While holding the 35mm wrench (or channel locks) on the RIGHT SIDE jam nut to prevent the jam nut from locking, turn the 12mm hex key CW until the end of the stop screw bottoms out against the internal stop boss. Then turn the hex key ONE FULL TURN CCW before locking that adjustment with the jam nut. This procedure assures that the actuator reaches its end of travel electrically before there is any interference from the mechanical stop.
6. This completes the CW position calibration.

**The mechanical stop screw limits handwheel operation ONLY and is NOT to be used as an electrical travel limiting device.**

## Adjusting the actuator CCW position

**Serious Damage to the actuator will result if the motor is allowed to drive the gear train into the mechanical stop!! Remove power from this device BEFORE making any travel adjustments.**

This actuator has been factory calibrated to operate between 0 degrees and 90 degrees. Most quarter-turn products will not require recalibration of these settings.



CCW Mechanical Stop

### Loosen Mechanical Stop

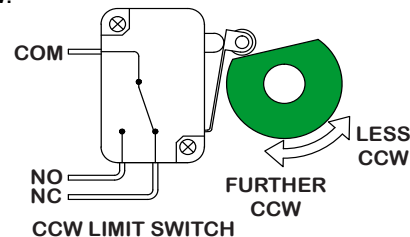
1. BEFORE power is applied, use a 35mm wrench (or channel locks) and a 12mm hex key to loosen the LEFT SIDE mechanical stop. This is the CCW stop limit adjustment. Turn the stop screw 5-6 turns CCW to allow electrical cam stop adjustment without running into the mechanical stop screw.
2. Use the manual hand wheel to position the actuator to your required CCW position. This must be within +/- 3 degrees of the factory setting.



Cam 2

### Adjust Cam 2

3. The second cam is Cam 2, the CCW end-of-travel adjustment. Once the actuator is at its required CCW position, with POWER OFF, use a 2.5mm hex key to free up the cam set screw. Once it is free, rotate the hex key to the LEFT 10-15 degrees to reset the switch roller arm. Then snug the set screw up against the camshaft (CW) until slight pressure is felt. Then SLOWLY rotate the hex key pushing the cam to the RIGHT until you hear the "click" on the second switch indicating that correct adjustment has been achieved. Tighten the set screw.



4. Apply power to the actuator and drive CW at least 15-20 degrees. Then drive the actuator CCW until the cam stops the electrical travel. Check to be sure this is the correct CCW position you require. Repeat step 3 if further adjustment is needed.

### Tighten Mechanical Stop

5. While holding the 35mm wrench (or channel locks) on the LEFT SIDE jam nut to prevent the jam nut from locking, turn the 12mm hex key CW until the end of the stop screw bottoms out against the internal stop boss. Then turn the hex key ONE FULL TURN CCW before locking that adjustment with the jam nut. This procedure assures that the actuator reaches its end of travel electrically before there is any interference from the mechanical stop.
6. This completes the CCW position calibration.

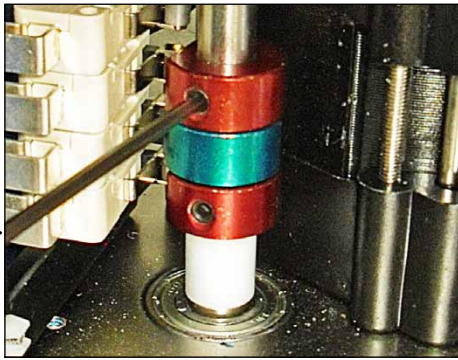


CCW Mechanical Stop

**The mechanical stop screw limits handwheel operation ONLY and is NOT to be used as an electrical travel limiting device.**



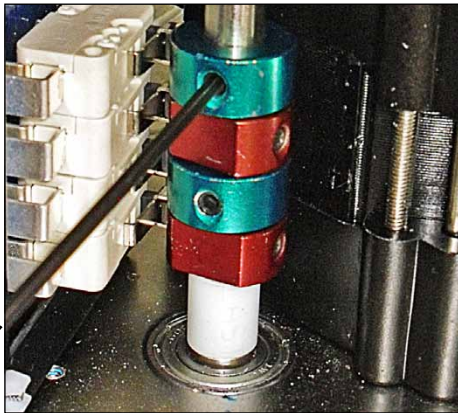
## Adjusting the actuator Auxiliary Switches



Cam 3

### **Adjust Cam 3**

1. The THIRD cam is Cam 3, the CW auxiliary switch adjustment. Drive the actuator to its CW position. Then use a 2.5mm hex key to free up the cam set screw. Once it is free, rotate the hex key to the RIGHT 10-15 degrees to reset the switch roller arm. Then snug the set screw up against the camshaft (CW) until slight pressure is felt. Then SLOWLY rotate the hex key and cam to the LEFT until you hear the “click” on the third switch. Continue to rotate the cam between 3 and 5 degrees to the LEFT to make sure the auxiliary cam switch changes state before the actuator reaches its end of travel electrically. Tighten the cam set screw.



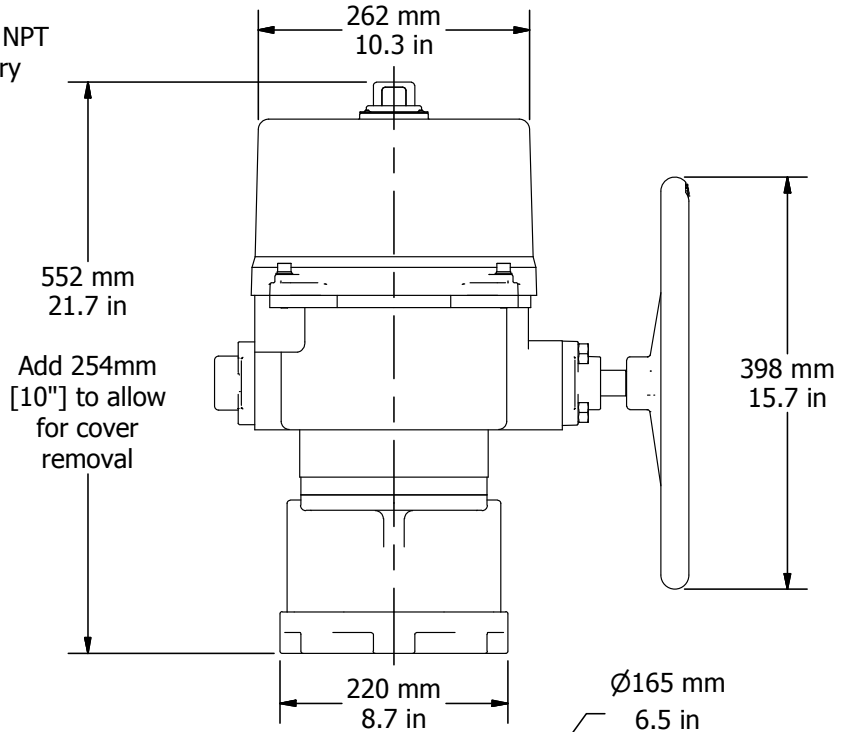
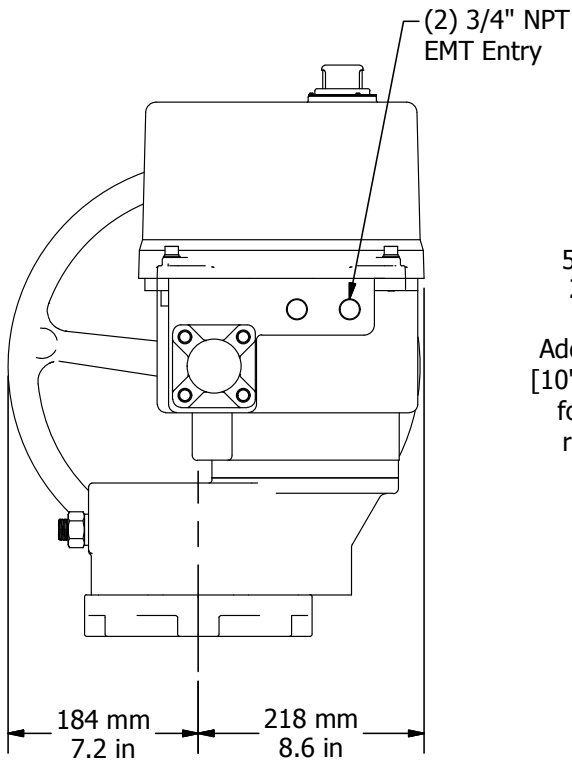
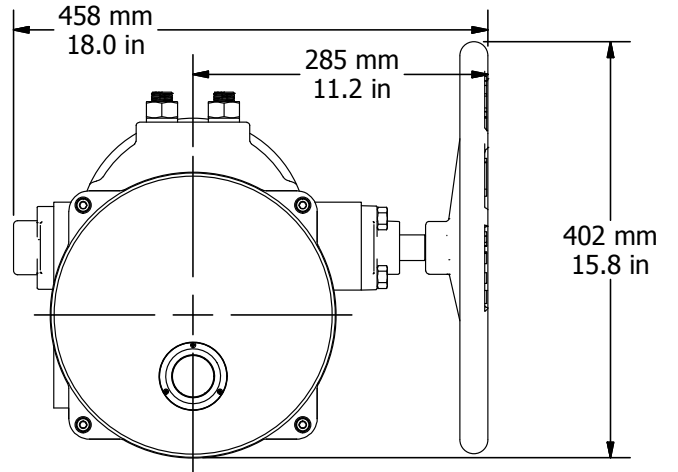
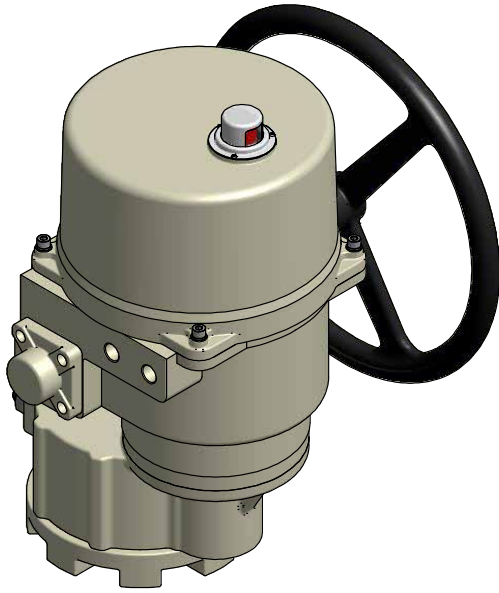
Cam 4

### **Adjust Cam 4**

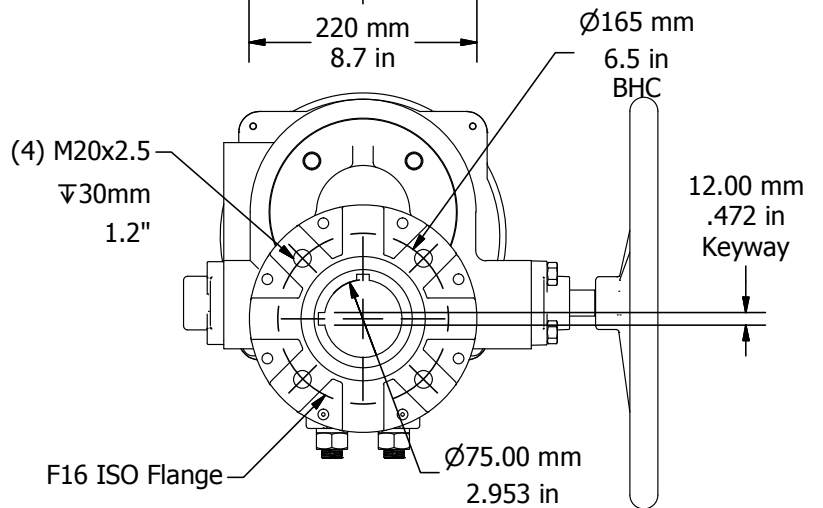
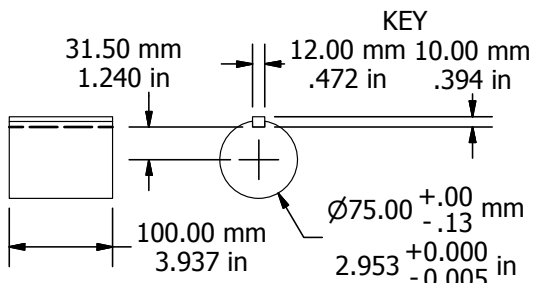
2. The FOURTH cam is Cam 4, the CCW auxiliary switch adjustment. Drive the actuator to its CCW position. Then use a 2.5mm hex key to free up the cam set screw. Once it is free, rotate the hex key to the LEFT 10-15 degrees to reset the switch roller arm. Then snug the set screw up against the camshaft (CW) until slight pressure is felt. Then SLOWLY rotate the hex key to the RIGHT until you hear the “click” on the fourth switch. Continue to rotate the cam between 3 and 5 degrees to the RIGHT to make sure the auxiliary cam switch changes state before the actuator reaches its end of travel electrically. Tighten the cam set screw.

# Mechanical Data

## P9/10/11/12 Series Dimensional Data



### Drive Coupling Fabrication Data

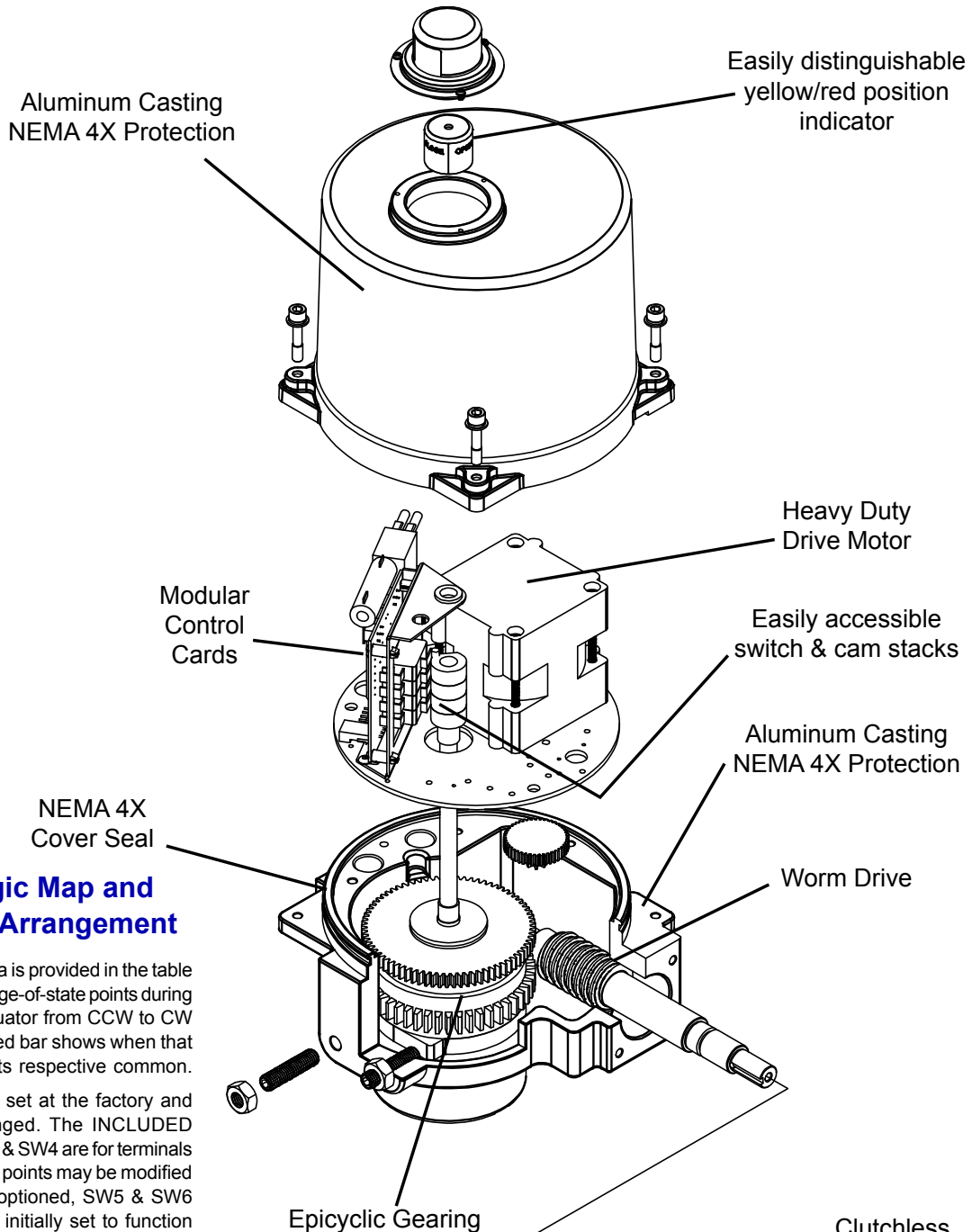


FM14\_P1112 HV N4-TS Ver B 102714

# Mechanical Data

## P Series Exploded View

(P2/3-120N4 unit is shown)



### Switch Logic Map and Switch/Cam Arrangement

Switch sequencing data is provided in the table below to show the change-of-state points during the rotation of the actuator from CCW to CW and back again. The red bar shows when that terminal makes with its respective common.

Switches 1 and 2 are set at the factory and should NOT be changed. The INCLUDED auxiliary switches SW3 & SW4 are for terminals 7 thru 12 and those set points may be modified if need be. When so optioned, SW5 & SW6 auxiliary switches are initially set to function the same as auxiliary switches SW3 & SW4.

Terminal ID#	CW			CCW		
	-5°	0°	5°	85°	90°	95°
12	Not Open					
11	Open Common					
10	Open					
9	Not Closed					
8	Closed Common					
7	Closed					

SW4 CW AUX  
(Factory Set - Adj)

SW3 CCW AUX  
(Factory Set - Adj)

Used by  
Controller

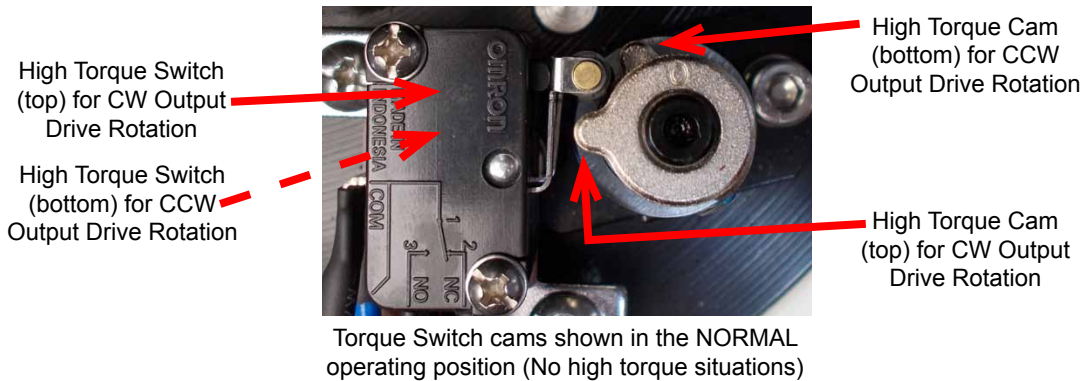
FM14\_P1112 HV N4-TS Ver B 102714

# Commissioning

## P9/10/11/12/13 Series with Torque Switch

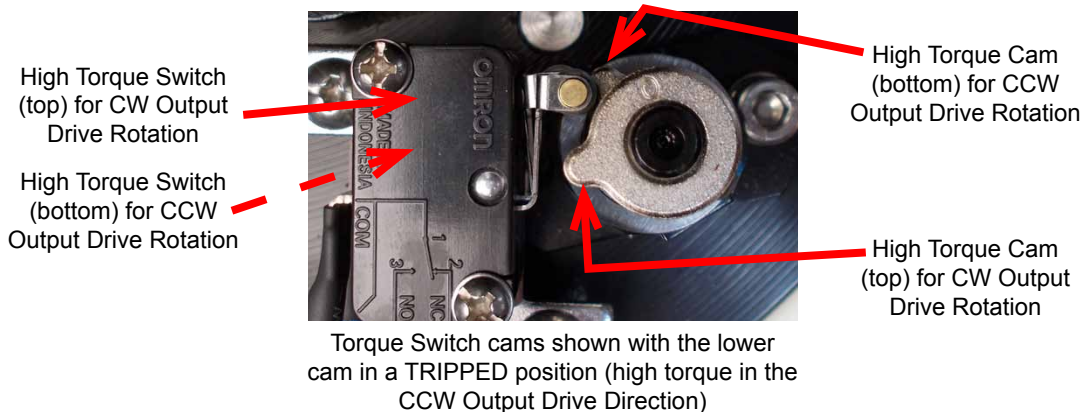
After completing all mounting and wiring procedures and main power is available, it is now possible to commission the actuator.

1. Utilize the handwheel to rotate the actuator and damper, valve or other connected device through its full travel from full CW to full CCW and back again to check for any possible interference. Do NOT utilize any mechanical advantage devices to rotate the handwheel (pipes, wrenches, extension bars, etc.).
2. Manually position the actuator to its mid-stroke position.
3. Make certain the 3 wire orange plug is fully seated on the 3-pin receptacle on the switch board.
4. Apply correct power to the unit.
5. Measure correct power on terminals Hot (1) & Neu (2) on the switch board.
6. Measure correct power on the two heater terminals on the switch board.
7. Command the field device to generate a CCW signal. The actuator rotates in a CCW direction (as viewed from above).
8. Measure terminals 2 (Neu) and 6 (Run CCW) for correct voltage (matching that measured in step 5).
9. Actuator will stop when it reaches it's full CCW position.
10. This unit incorporates a torque overload protection system. In NORMAL operating mode, the torque switch drive cam is in this position:



**WARNING! Do NOT adjust the torque switch cam settings. This will VOID the warranty.**

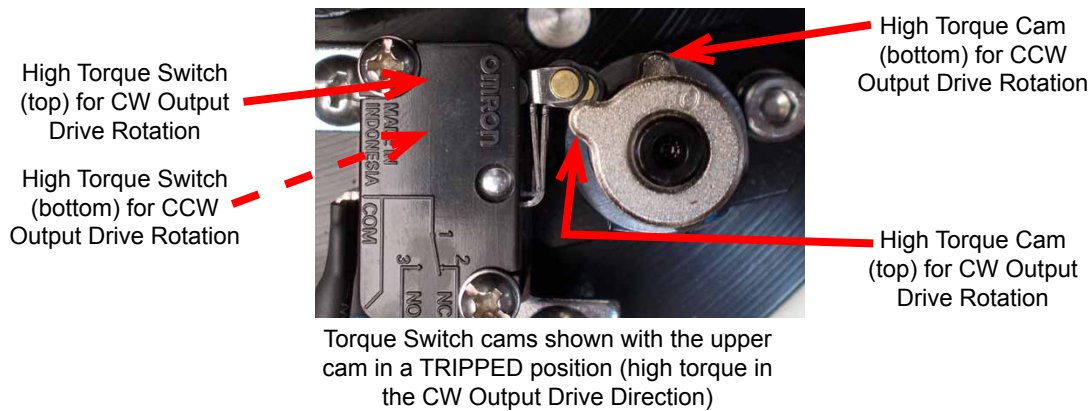
11. Rotate the manual override handwheel in a CCW direction to continue to drive the output drive in a CCW direction until the drive system reaches the end of its MECHANICAL travel either by coming into contact with the mechanical stop screw OR it reaches the end of the valve (or damper) travel. This is indicative of an increasing force required to rotate the handwheel. At this point the torque switch cam shaft starts to rotate in a CCW direction. As you continue to rotate the handwheel in the CCW direction the torque switch cam shaft will continue to rotate in the CCW direction until the LOWER cam trips the LOWER high torque switch. At this point, stop rotating the handwheel as you've simulated reaching the electrical drive limit of the actuator under excessively high torque situations in the CCW output drive direction.



**WARNING! Do NOT adjust the torque switch cam settings. This will VOID the warranty.**

## Commissioning (continued)

12. Command the field device to generate a CW signal. The actuator rotates in a CW direction (as viewed from above).
13. Measure terminals 2 (Neu) and 4 (Run CW) for correct voltage (matching that measured in step 5).
14. Actuator will stop when it reaches it's full CW position.
15. Rotate the manual override handwheel in a CW direction to continue to drive the output drive in a CW direction until the drive system reaches the end of its MECHANICAL travel either by coming into contact with the mechanical stop screw OR it reaches the end of the valve (or damper) travel. This is indicative of an increasing force required to rotate the handwheel. At this point the torque switch cam shaft starts to rotate in a CW direction. As you continue to rotate the handwheel in the CW direction the torque switch cam shaft will continue to rotate in the CW direction until the UPPER cam trips the UPPER high torque switch. At this point, stop rotating the handwheel as you've simulated reaching the electrical drive limit of the actuator under excessively high torque situations in the CW output drive direction.



**WARNING! Do NOT adjust the torque switch cam settings. This will VOID the warranty.**

16. Generate a mid-position signal at the field device to move the actuator off its full CW trip position.
17. Actuator is now commissioned and operational.

# Industrial Applications

ProMation Engineering actuators have been installed to operate process controls such as butterfly valves, ball valves, high performance valves, plug valves, gate valves and dampers, in a broad range of demanding industrial applications.

**Power  
Generation**



**Water  
Processes**



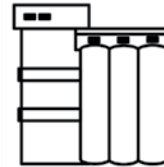
**Mining**



**Oil and Gas**



**Agriculture**



**Chemicals**



## Complete Support

ProMation Engineering is committed to providing superior customer support for your sales, project management and installation teams. Contact us today.

### Full Documentation

We offer complete wiring diagrams, field installation manuals and set up documentation for all our products, both in printed and digital form. We regularly host customized educational webinars for our customers.

### RapidQuote

Most quotes and estimates are generated within hours of the request.

### ProMation Engineering Services

ProMation Engineering can provide design and technical services for OEM's, projects with customized requirements and specialized operations.

ProMation Engineering follows a policy of continual product updates and enhancements. Our website is the best place to obtain the latest product documentation, including the wiring diagrams for these controllers. Visit us at [www.promationei.com](http://www.promationei.com) or use the code to link to the site.



**PROMATION  
ENGINEERING**

*Precision Actuation for Industry*

16138 Flight Path Drive  
Brooksville, FL 34604

Phone (352) 544-8436 Fax (352) 544-8439

email: [sales@promationei.com](mailto:sales@promationei.com)



Use your smart phone barcode scanner app here.