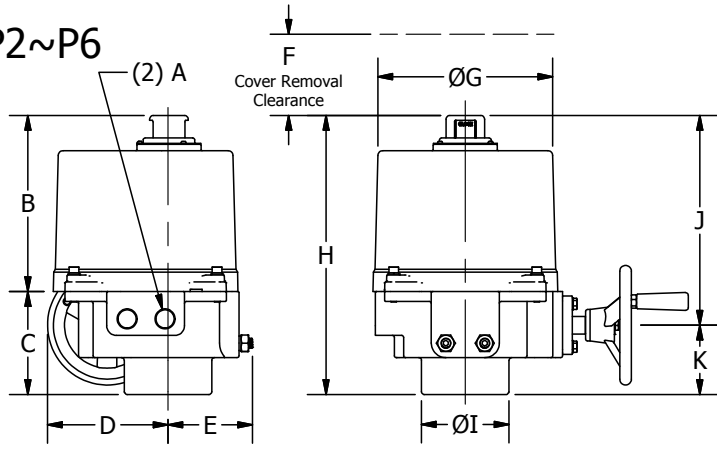
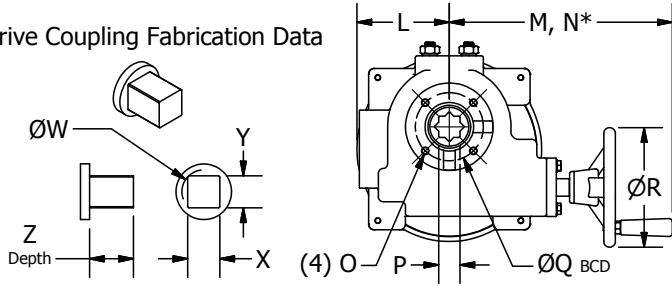


# P2~P13 Dimensional Data

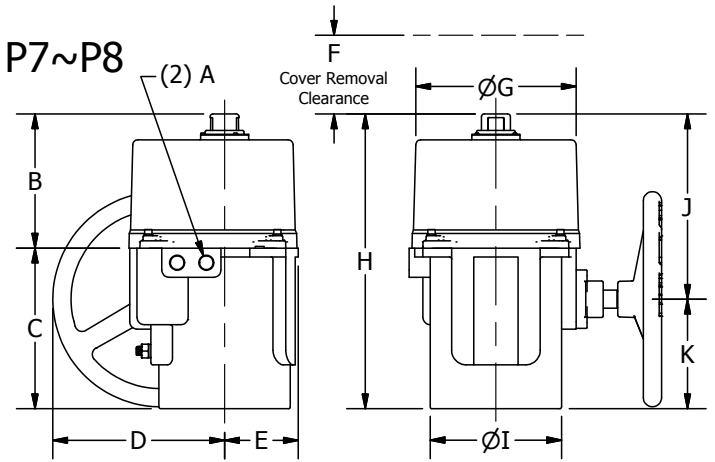
## P2~P6



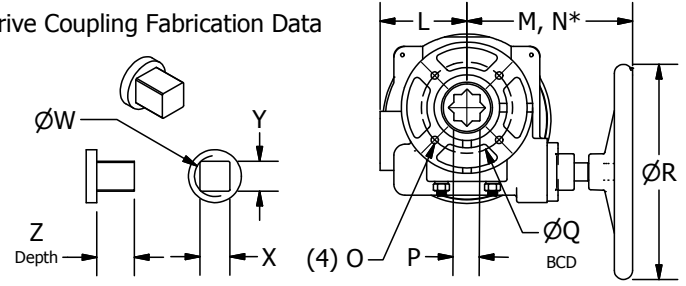
### Drive Coupling Fabrication Data



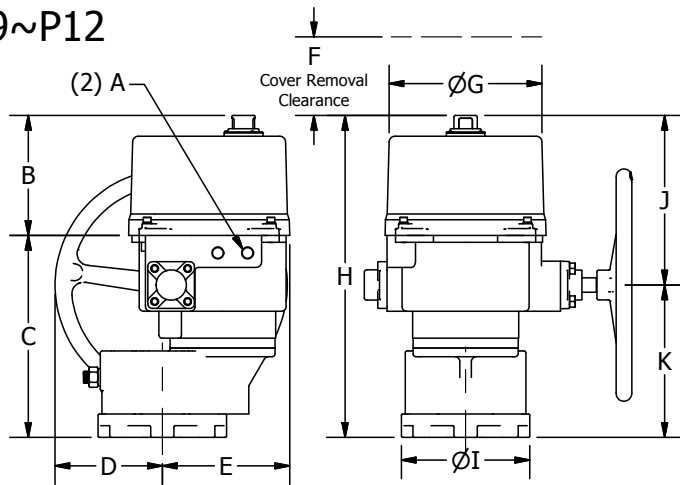
## P7~P8



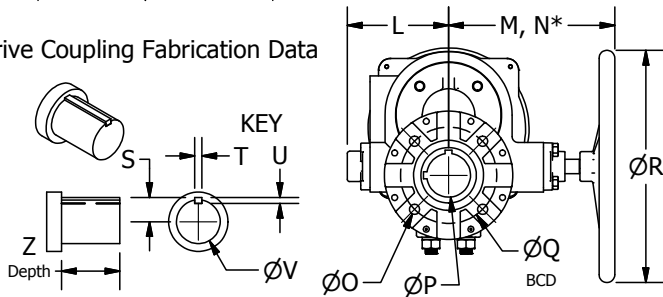
### Drive Coupling Fabrication Data



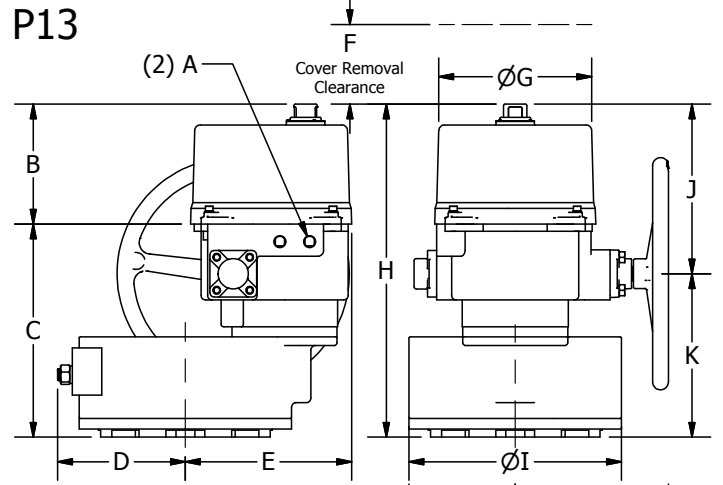
## P9~P12



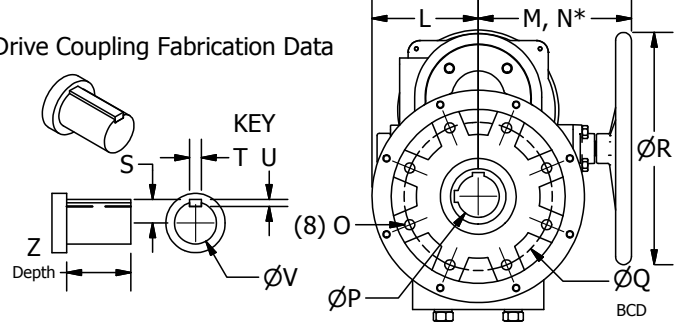
### Drive Coupling Fabrication Data



## P13



### Drive Coupling Fabrication Data



Actuator	Torque (lb-in)	ISO5211 Mount	Dimensions - in (mm)											
			A	B	C	D	E	F	G	H	I	J	K	L
P2~P3	800-1335	F07	3/4"-14 NPT	7.1 (181)	4.2 (106)	4.9 (125)	3.4 (86)	8.0 (203)	7.1 (180)	11.3 (287)	3.5 (90)	8.5 (216)	2.8 (71)	3.7 (95)
P4~P6	3500-5750	F10	3/4"-14 NPT	7.2 (184)	5.2 (131)	7.3 (184)	4.3 (110)	8.0 (203)	8.7 (220)	12.4 (315)	4.9 (125)	8.8 (224)	3.6 (91)	4.7 (119)
P7~P8	8900-13250	F12	3/4"-14 NPT	7.2 (184)	8.7 (220)	9.3 (236)	4.0 (101)	8.0 (203)	8.7 (220)	15.9 (404)	7.1 (180)	10.0 (254)	5.9 (150)	4.7 (119)
P9~P12	17500-31000	F16	3/4"-14 NPT	8.1 (206)	13.6 (346)	7.2 (184)	8.6 (218)	8.0 (203)	10.3 (262)	21.7 (552)	8.7 (220)	11.4 (291)	10.3 (261)	6.8 (174)
P13	40000	F25	3/4"-14 NPT	8.1 (206)	14.4 (365)	8.6 (219)	11.2 (285)	8.0 (203)	10.3 (262)	22.5 (571)	14.3 (364)	11.4 (291)	11.0 (280)	7.2 (182)
Actuator	Dimensions - in (mm)													
	M	N*	O	P	Q	R	S	T	U	V**	W	X**	Y**	Z
P2~P3	9.0 (229)	10.3 (262)	M8-1.25 x 20mm	0.87 (22)	2.8 (70)	4.8 (123)	-	-	-	-	1.181 (30.00)	0.866 (22.00)	0.866 (22.00)	1.181 (30.00)
P4~P6	10.8 (275)	13.4 (340)	M10-1.5 x 20mm	1.38 (35)	4.0 (102)	7.6 (194)	-	-	-	-	1.890 (48.00)	1.378 (35.00)	1.378 (35.00)	1.575 (40.00)
P7~P8	8.9 (227)	12.3 (312)	M12-1.75 x 25mm	1.42 (36)	4.9 (125)	11.6 (295)	-	-	-	-	1.929 (49.00)	1.417 (36.00)	1.417 (36.00)	1.772 (45.00)
P9~P12	11.2 (285)	11.2 (285)	M20-2.5 x 30mm	2.95 (75)	6.5 (165)	15.7 (398)	1.634 (41.50)	0.472 (12.00)	0.394 (10.00)	2.953 (75.00)	-	-	-	3.937 (100.00)
P13	10.3 (263)	10.3 (263)	M16-2.0 x 25mm	2.84 (72)	10.0 (254)	15.7 (398)	1.594 (40.50)	0.787 (20.00)	0.472 (12.00)	2.835 (72.00)	-	-	-	4.331 (110.00)

\* Actuators with Torque Switches

\*\* Tolerance +0.000 -0.005 (+0.00 -0.13)