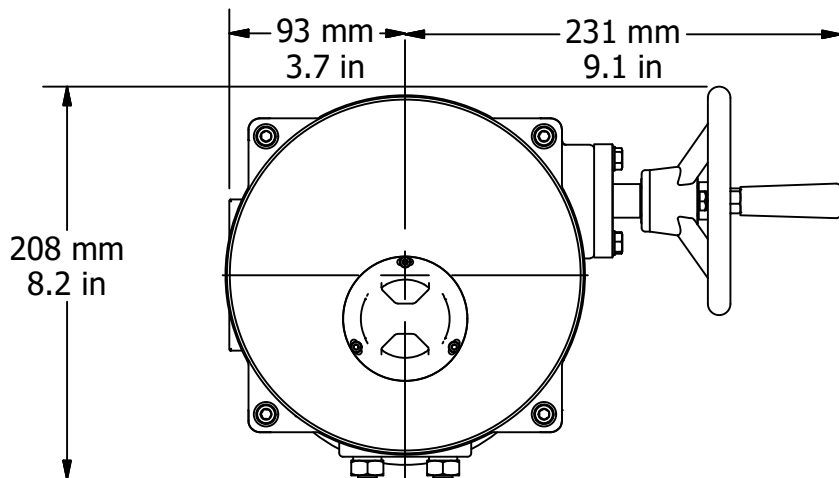
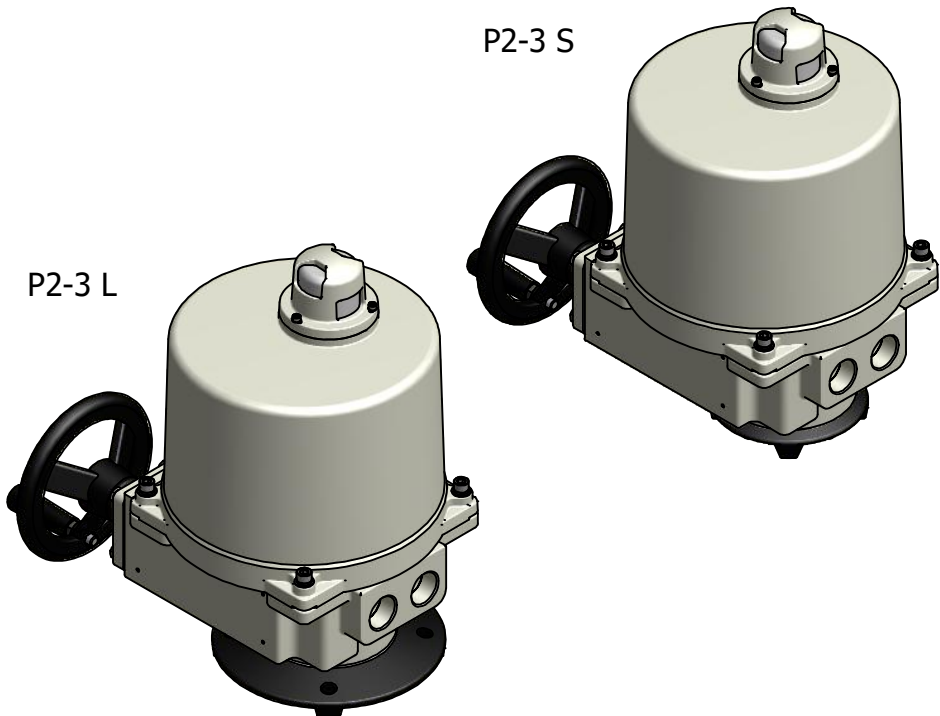


Engineering Change Notice			
REV	Change Date	Description	Name
A	02.09.2121	New using P2-3 S DimData.idw as model layout	DJG
B			
C			
D			
E			
F			

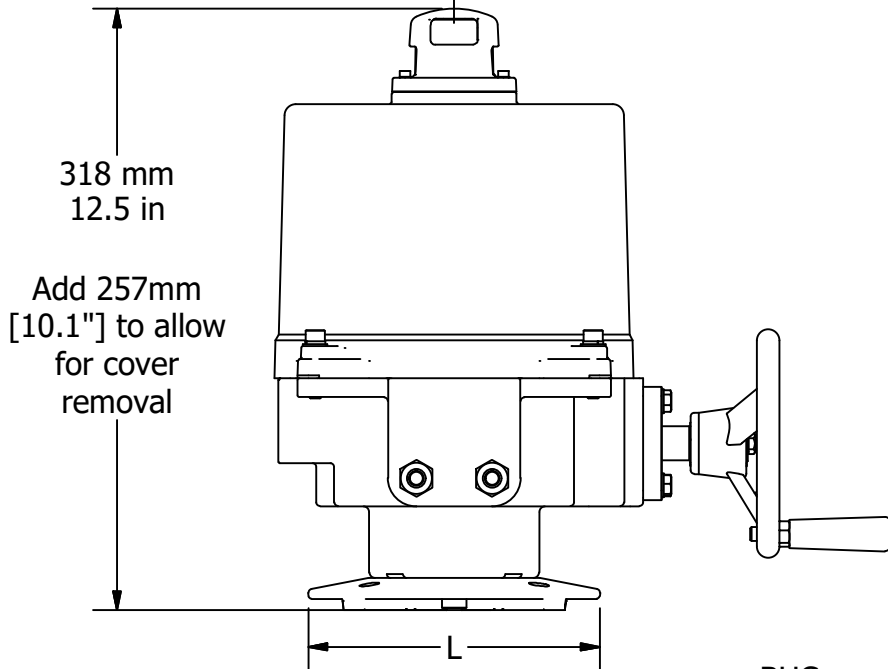
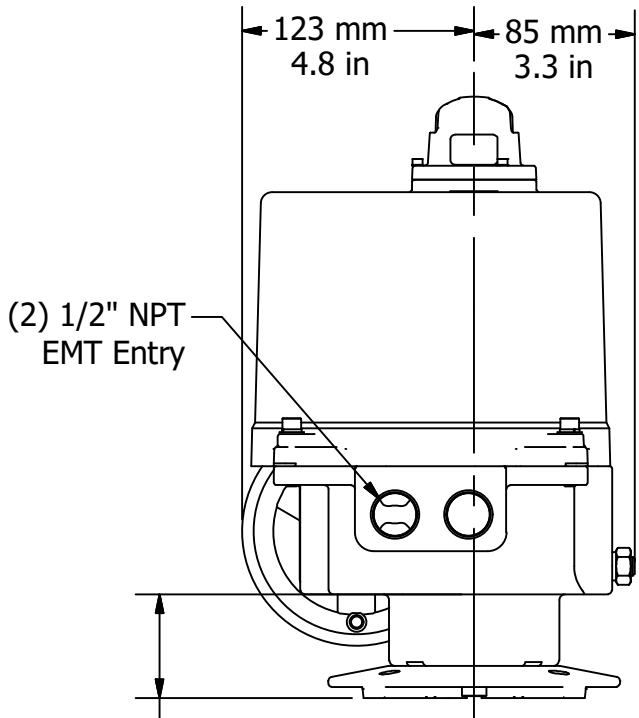
P2-3 S

P2-3 L



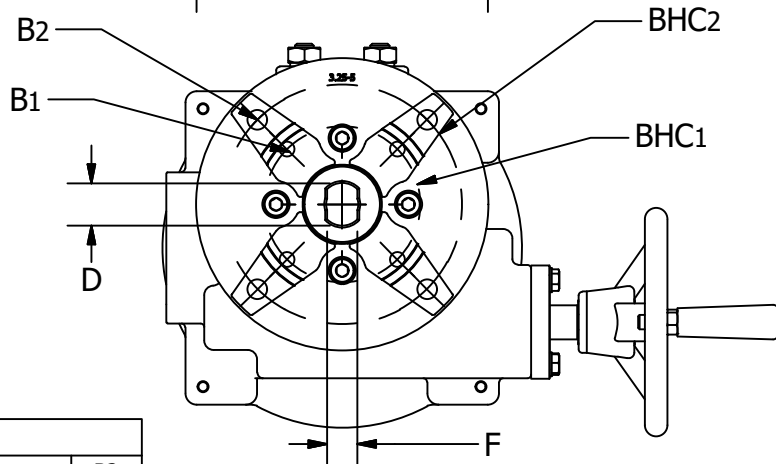
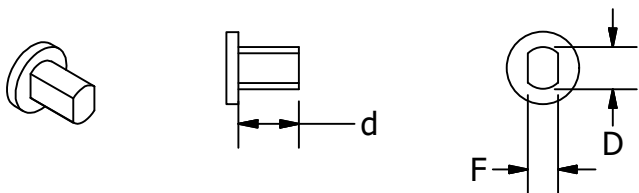
A

A



B

B



B

B

Dimensions											
Model	Unit	D	F	d	L	BHC1	B1	B1 Depth	BHC2	B2	B2 Depth
P2-3 S	in	0.75	0.5	1.26	4.1	3.25	3/8-16 UNC	0.56			
	mm	19.05	12.7	32	105	82.6		14.2			
P2-3 L	in	0.875	0.625	2	6.1	3.25	3/8-16 UNC	0.56	5	1/2-13 UNC	0.63
	mm	22.23	15.88	50.8	154	82.6		14.2	127		16

Single Mount Only

Drawn By
DJG

Created:
2/9/2021

Checked By
PMR

Last Checked:
2/9/2021

Material

Finish

Dimensional Tolerances (Unless Otherwise Noted):
X ± 2.5mm [X.X ± .1]
X.X ± .3mm [X.XX ± .01"]
X.XX ± .13mm [X.XXX ± .005"]
ALL TOLERANCE FEATURES IN mm

Part No.

This Document is the property of ProMation Engineering, Inc. Distribution of this document without the written consent of the owner is Strictly forbidden. Failure to comply will incur a liability for Damages.

Promation Engineering Inc.
16138 Flight Path Drive
Brooksville, FL 34604

Phone: 352-544-8436
Fax: 352-544-8439

ProMation Engineering, Inc.

Dwg. Name: P2_3 S and L DimData.idw

P2-3 S and L Imperial Dimensional Data

Rev. A

Dimensional Data for P2-3 S and L Imperial Mount Actuators

NO SCALE

Sheet Number: 1