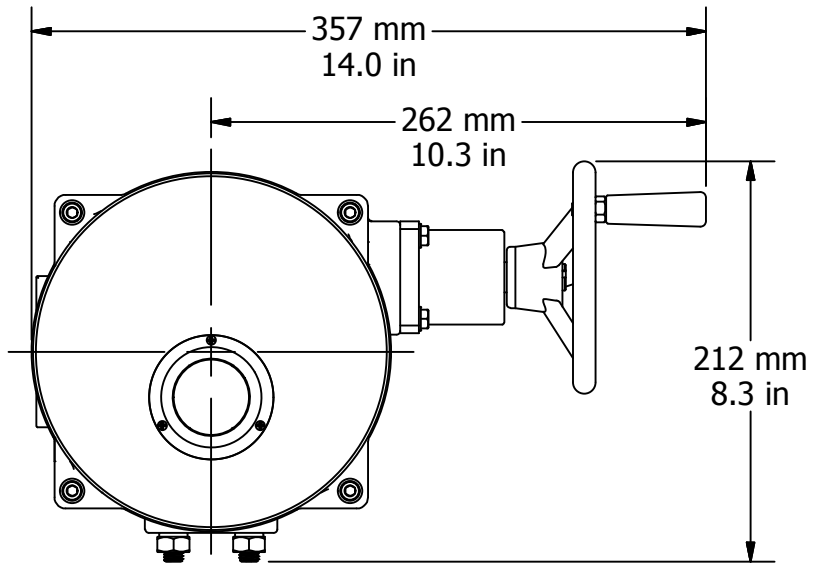
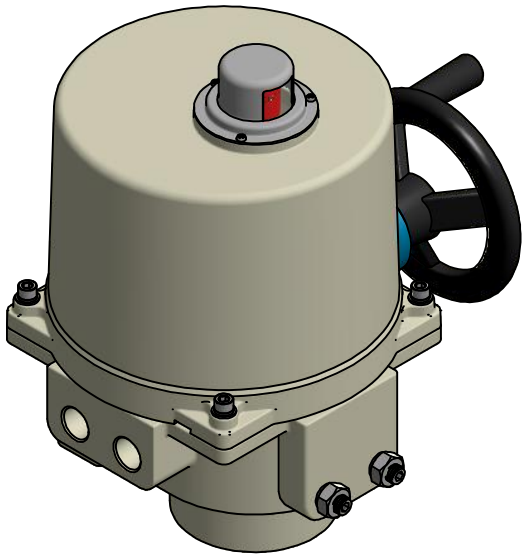


2

1

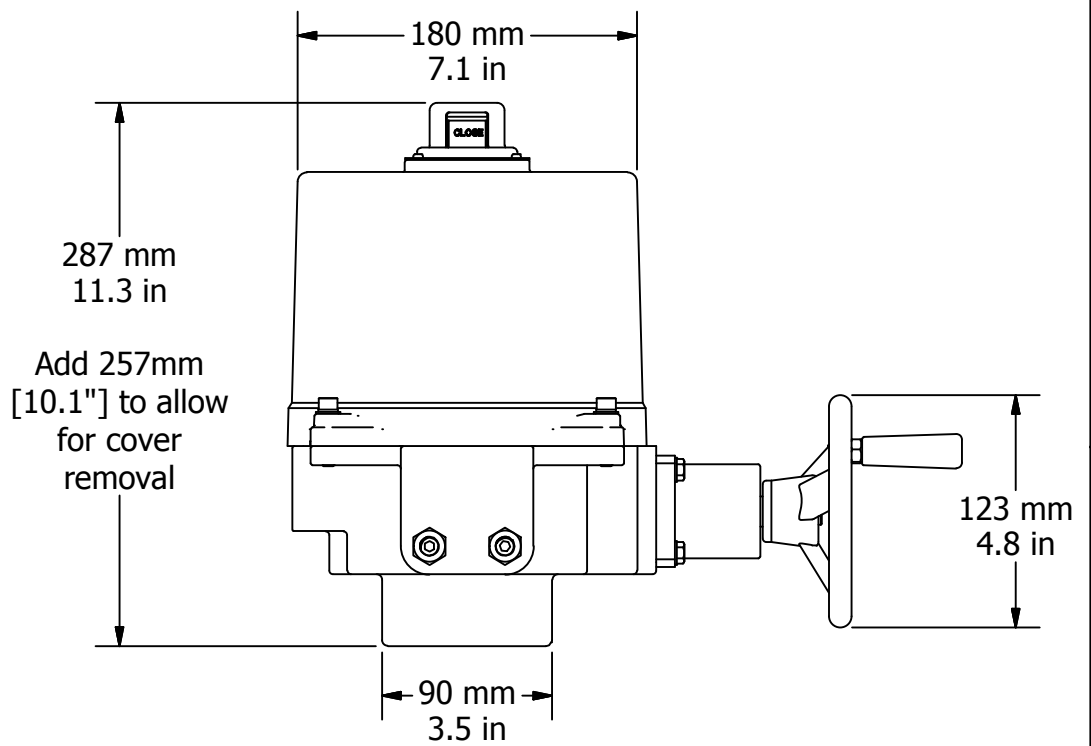
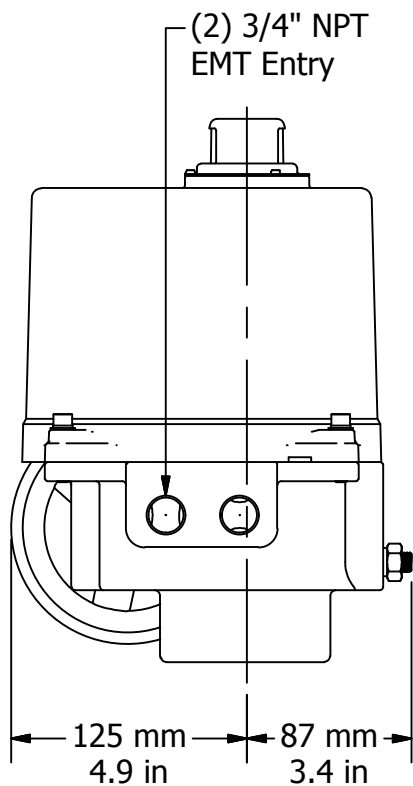
Engineering Change Notice

| REV | Change Date | Description | Name |
|-----|-------------|--|------|
| A | 11.08.2013 | New Document | KHL |
| B | 11.12.2013 | Added rounded edges on Drive Coupling Data | KHL |
| C | 04.15.2014 | Added tolerance on drive coupling data | KHL |
| D | 10.07.2014 | Pushed square dimension to three decimal places | KHL |
| E | 04.08.2015 | Added Isometric view of Drive Coupling and "Depth" tag for clarity | KHL |
| F | | | |

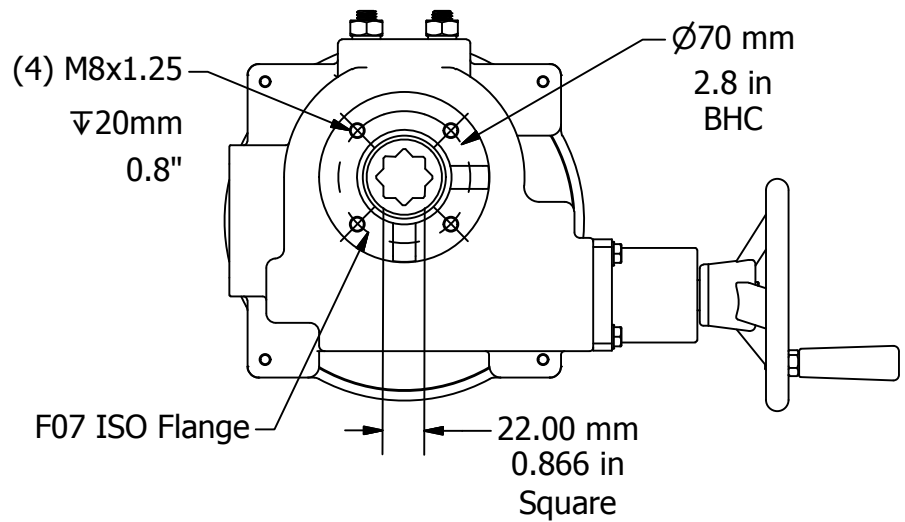
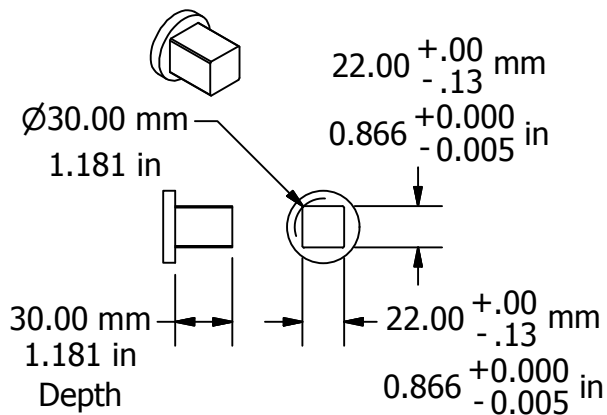


B

B



Drive Coupling Fabrication Data

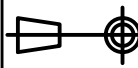


A

A

| | |
|--|---------------------------|
| Drawn By KHL | Created: 4/25/2013 |
| Checked By KHL | Last Checked: 4/8/2015 |
| Material | Finish |
| Dimensional Tolerances (Unless Otherwise Noted): X ± 2.5mm [X.X ± .1] X.X ± .3mm [X.XX ± .01"] X.XX ± .13mm [X.XXX ± .005"] ALL TOLERANCE FEATURES IN mm | |

| | |
|--|--|
| Part No. | This Document is the property of ProMation Engineering, Inc. Distribution of this document without the written consent of the owner is Strictly forbidden. Failure to comply will incur a liability for Damages. |
| Promation Engineering Inc. 16138 Flight Path Drive Brooksville, FL 34604 | |
| Phone: 352-544-8436 Fax: 352-544-8439 | |

| | |
|---|------------------------------|
| ProMation Engineering, Inc. | |
| Dwg. Name | P2_3 TS F07 8P22 DimData.idw |
|  | P2~P3 TS Dim Data |
| Dimensional Data for P2~P3 TS Actuators | |
| NO SCALE | Sheet Number: 1 |

2

1