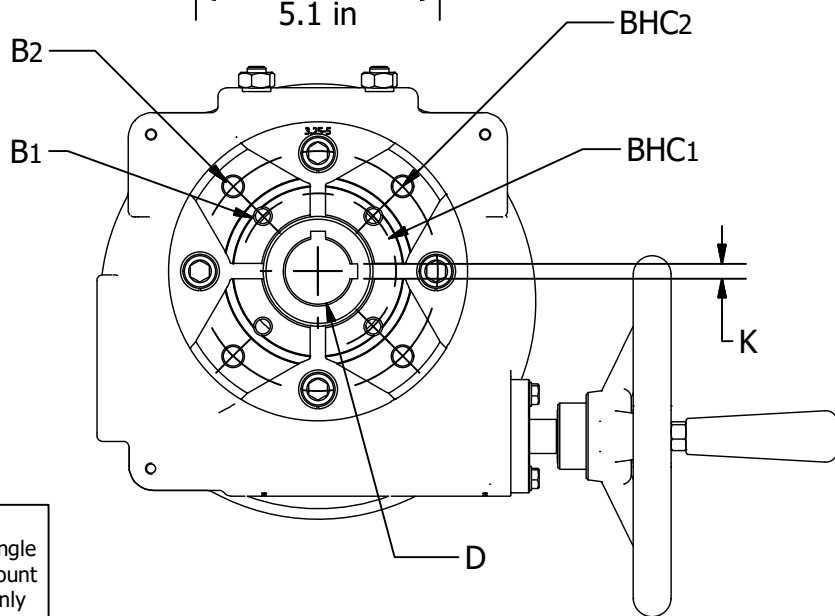
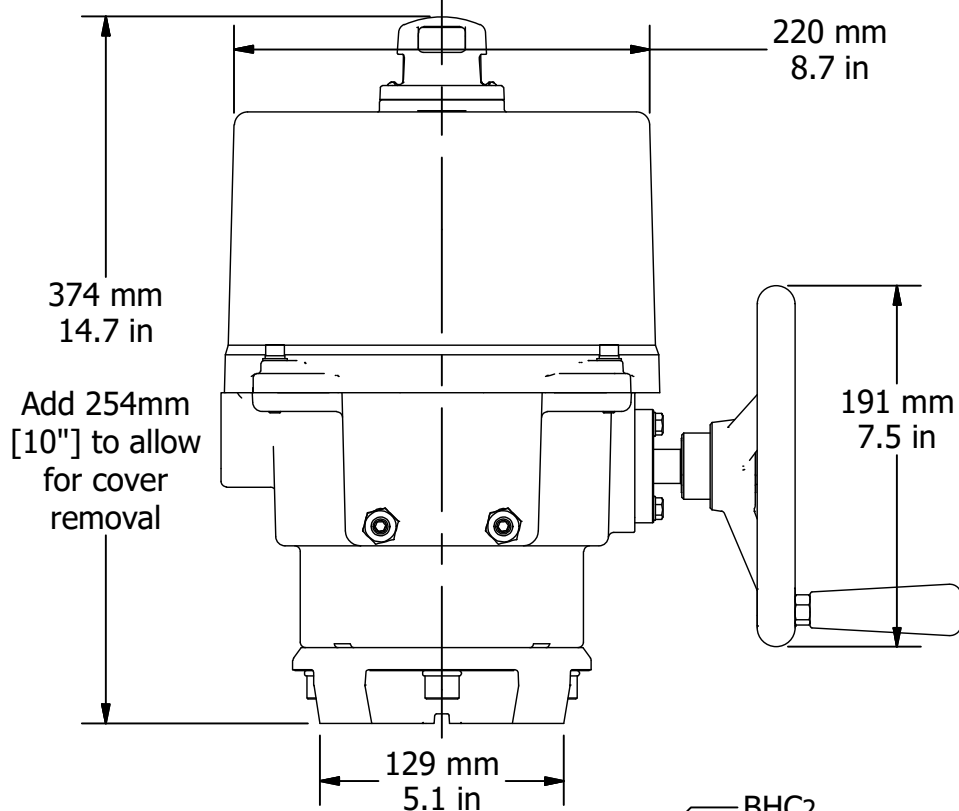
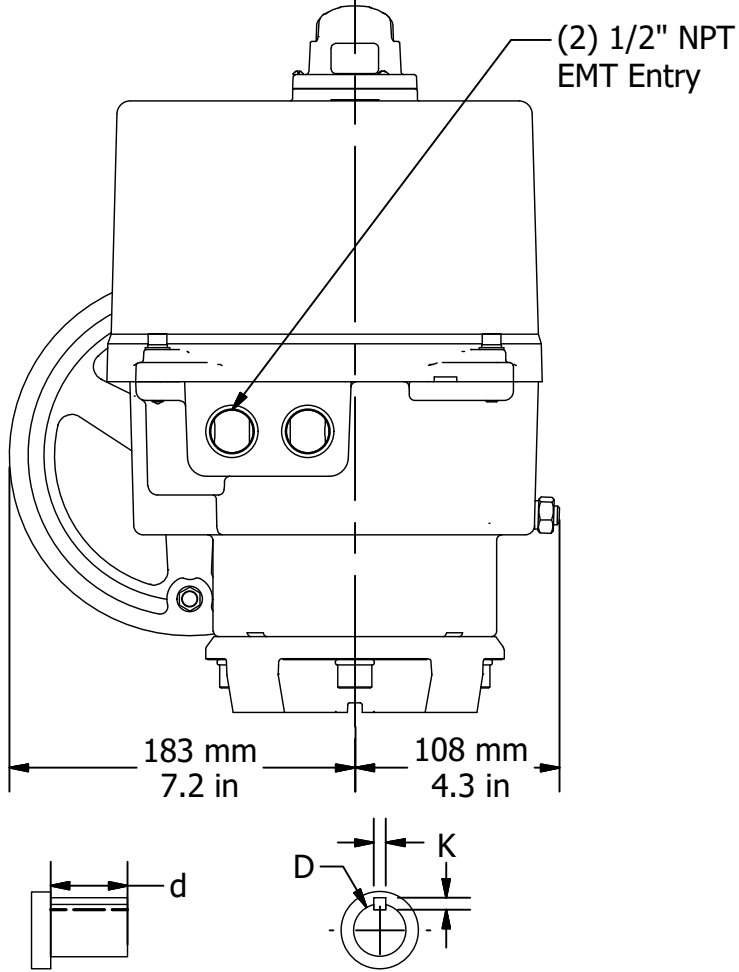
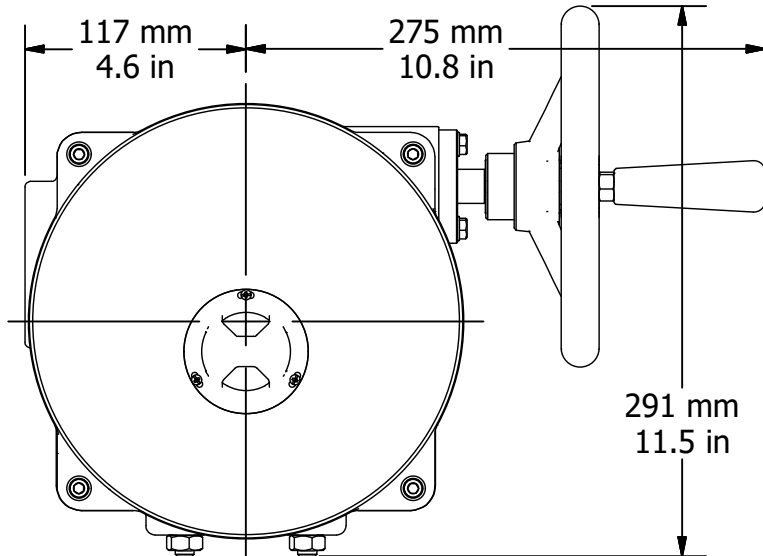
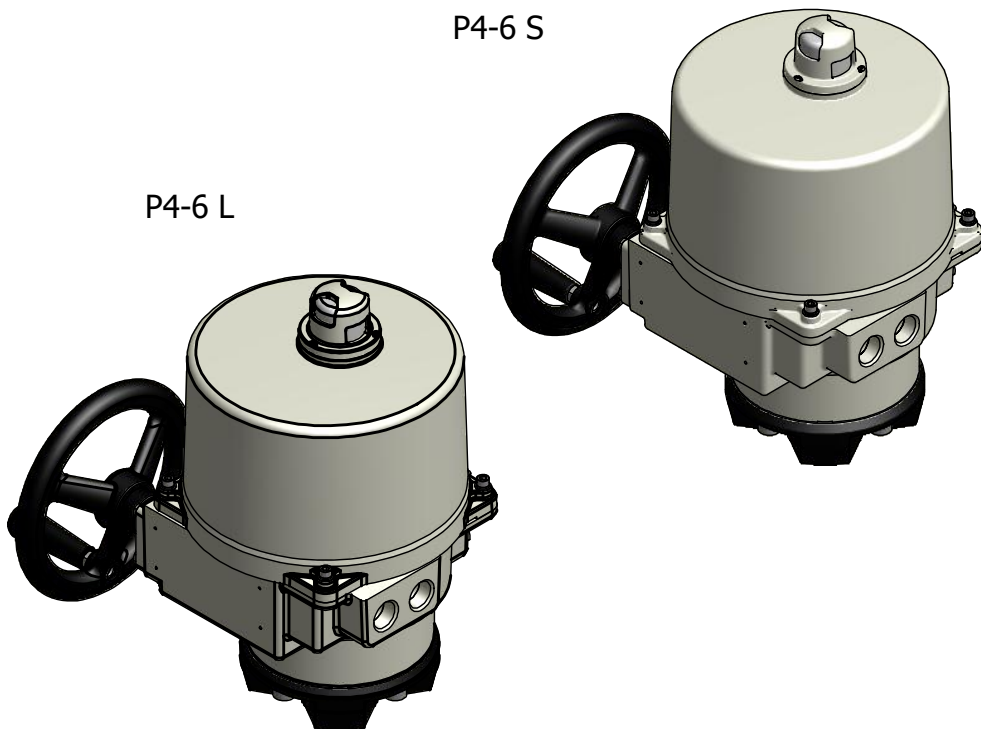


Engineering Change Notice			
REV	Change Date	Description	Name
A	02.08.21	New Document from P4-6 L Dim data	DJG
B			
C			
D			
E			
F			

P4-6 S

P4-6 L



Dimensions										
Model	Unit	D	d	K	BHC1	B1	B1 Depth	BHC2	B2	B2 Depth
P4 S	in	1.125	2	0.25	3.25	3/8-16 UNC	0.56	5	1/2-13 UNC	0.63
	mm	28.58	50.8	6.35	82.6		14.2	127		16
P4 L	in	1.375	2	0.3125	3.25	3/8-16 UNC	0.56	5	1/2-13 UNC	0.63
	mm	34.93	50.8	7.94	82.55		14.2	127		16
P5/6 S	in	1.125	2.76	0.25	5	1/2-13 UNC	0.63			
	mm	28.58	70.1	6.35	127		16			
P4/6 L	in	1.375	2.76	0.3125	5	1/2-13 UNC	0.63			
	mm	34.93	70.1	7.94	127		16			

Single Mount Only

Drawn By DJG	Created: 2/9/2021
Checked By PMR	Last Checked: 2/9/2021
Material	Finish
Dimensional Tolerances (Unless Otherwise Noted): X.X ± .3 [X.XX ± .01] X.XX ± .13 [X.XXX ± .005] ALL TOLERANCE FEATURES IN mm	

Part No.	This Document is the property of ProMation Engineering, Inc. Distribution of this document without the written consent of the owner is Strictly forbidden. Failure to comply will incur a liability for Damages.
Promation Engineering Inc. 16138 Flight Path Drive Brooksville, FL 34604	
Phone: 352-544-8436 Fax: 352-544-8439	

<b>ProMation Engineering, Inc.</b>	
Dwg. Name	P4-6 S and L DimData.idw
	P4-6 S and L Imperial Dim Data
	Rev. A
Dimensional Data for P4-6 S and L Imperial Mount Actuators	
NO SCALE	Sheet Number: 1