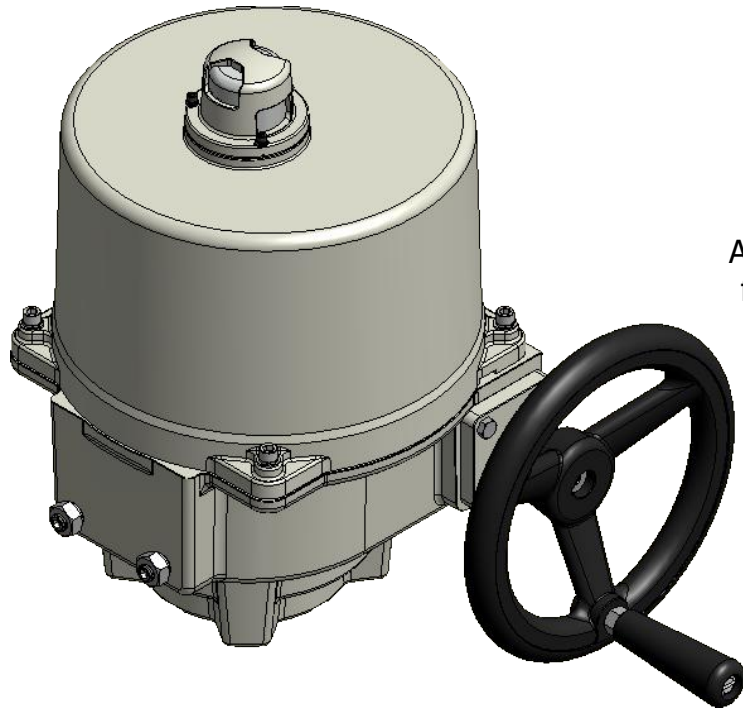
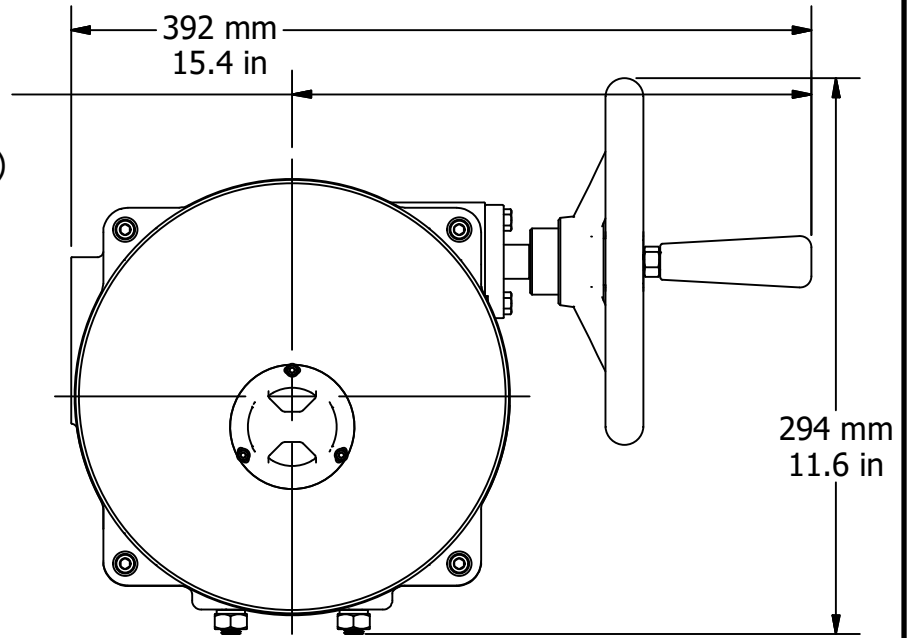


### Engineering Change Notice

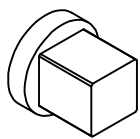
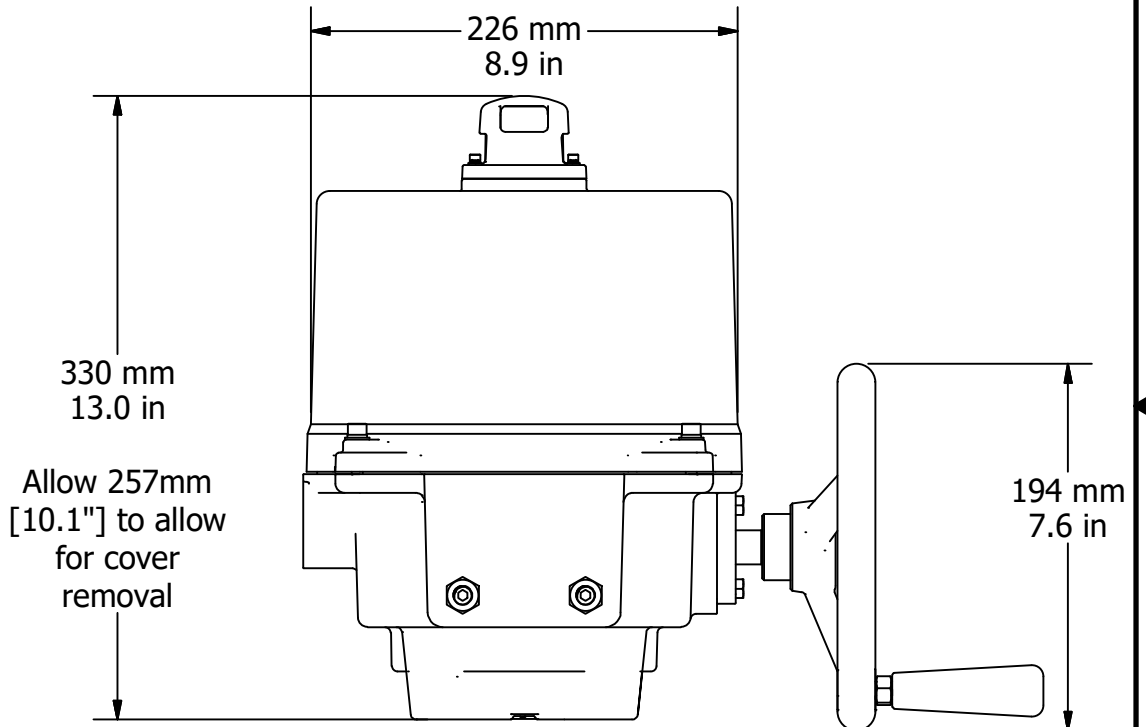
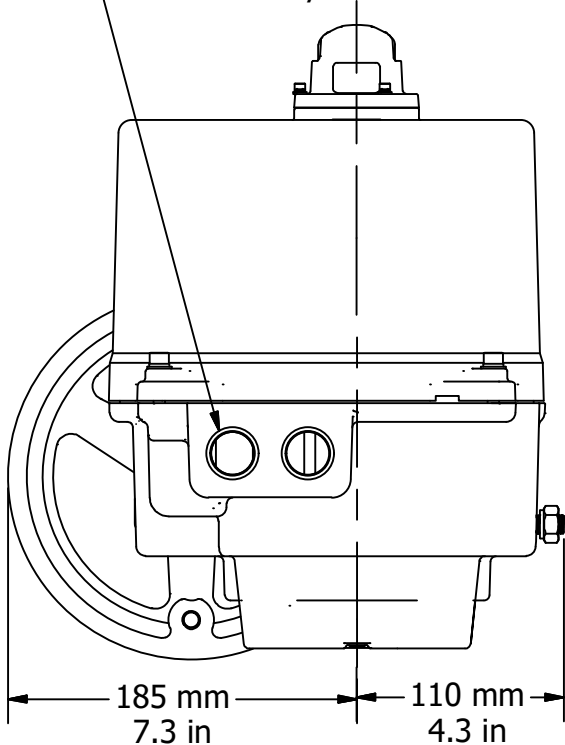
REV	Change Date	Description	Name
A	01.25.22	Edited from P4_6 8P F10 12 Dim Data to add 36mm drive	DJG
B			
C			
D			
E			
F			



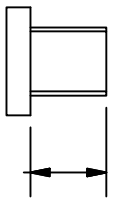
275 mm  
10.8 in  
Add 65mm (2.56in)  
for Torque Switch



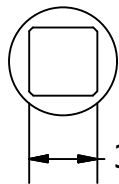
(2) 3/4" NPT  
EMT Entry



Drive Coupling Fabrication Data



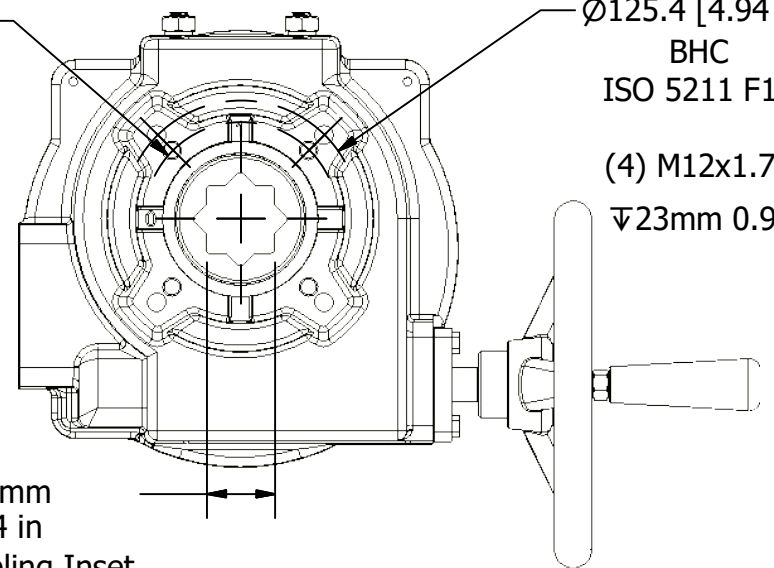
40 mm  
1.6 in  
Depth typ



36.00 <sup>+0.00</sup>/<sub>-.13</sub> mm  
1.417 <sup>+0.000</sup>/<sub>-0.005</sub> in

Ø102.4 [4.03 in]  
BHC  
ISO 5211 F10  
(4) M10x1.5  
▽20mm 0.8"

Ø125.4 [4.94 in]  
BHC  
ISO 5211 F12  
(4) M12x1.75  
▽23mm 0.9"



Drawn By DJG	Created: 4/29/2013
Checked By DJG	Last Checked: 12/2/2020
Material	Finish
Dimensional Tolerances (Unless Otherwise Noted): X ± 2.5mm [X.X ± .1] X.X ± .3mm [X.XX ± .01"] X.XX ± .13mm [X.XXX ± .005"] ALL TOLERANCE FEATURES IN mm	

Part No.	This Document is the property of ProMation Engineering, Inc. Distribution of this document without the written consent of the owner is Strictly forbidden. Failure to comply will incur a liability for Damages.
Promation Engineering Inc. 16138 Flight Path Drive Brooksville, FL 34604	
Phone: 352-544-8436 Fax: 352-544-8439	

<b>ProMation Engineering, Inc.</b>	
Dwg. Name	P4_6 F10 F12 8P36 DimData.idw
	P4~P6 F10 F12 36 8pt sq drive Dim Data
	Rev. A
Dimensional Data for P4~P6 36mm Drive Actuators	
NO SCALE	Sheet Number: 1