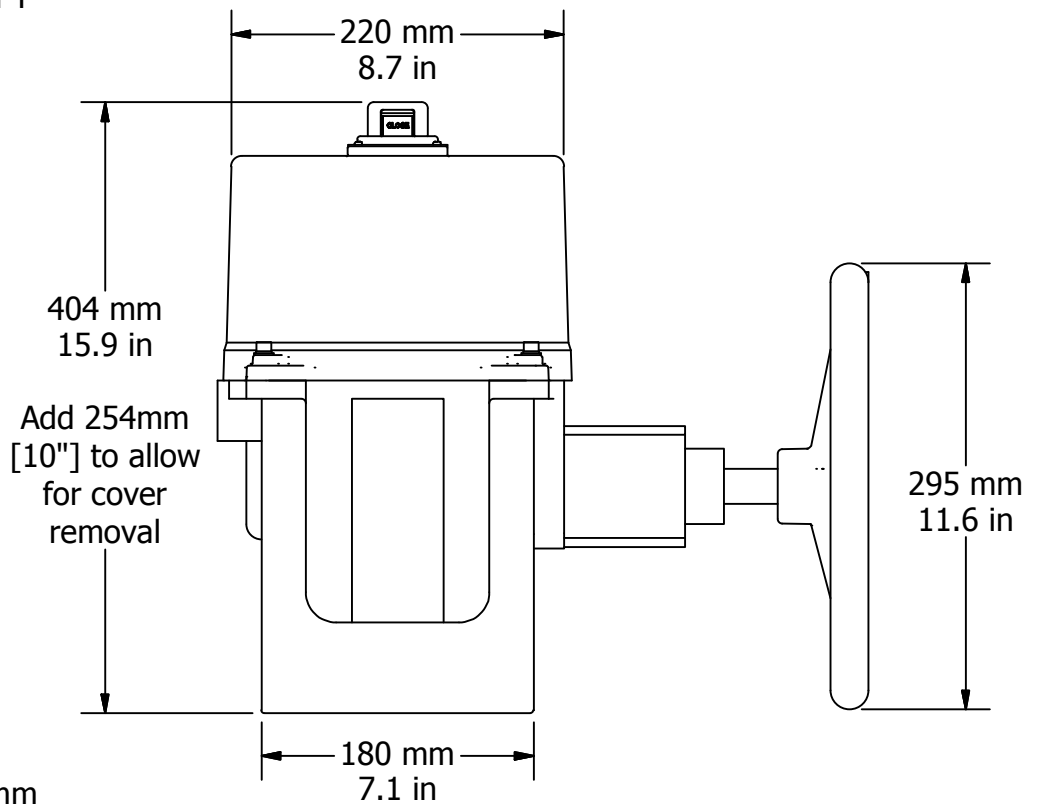
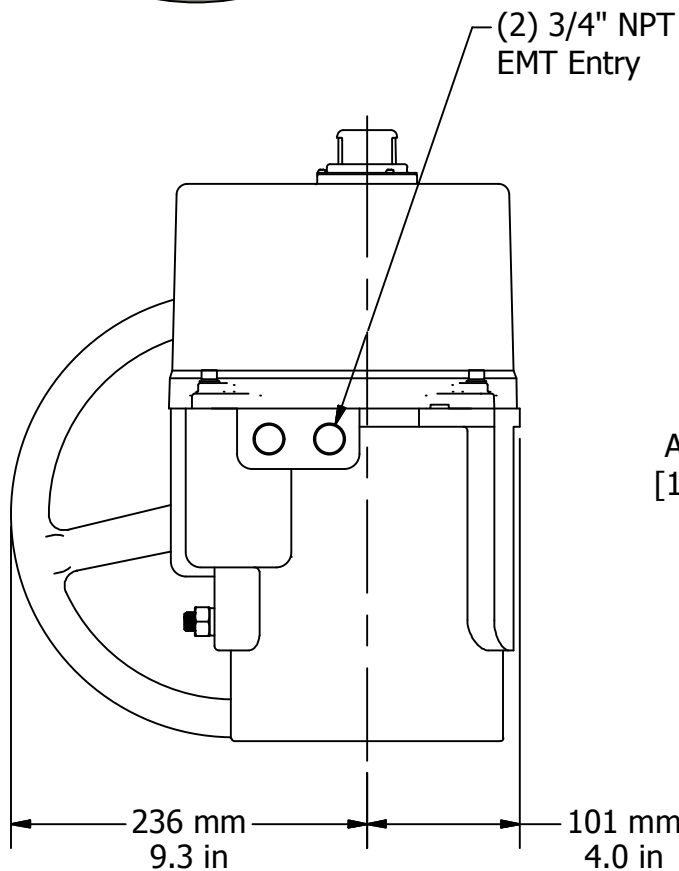
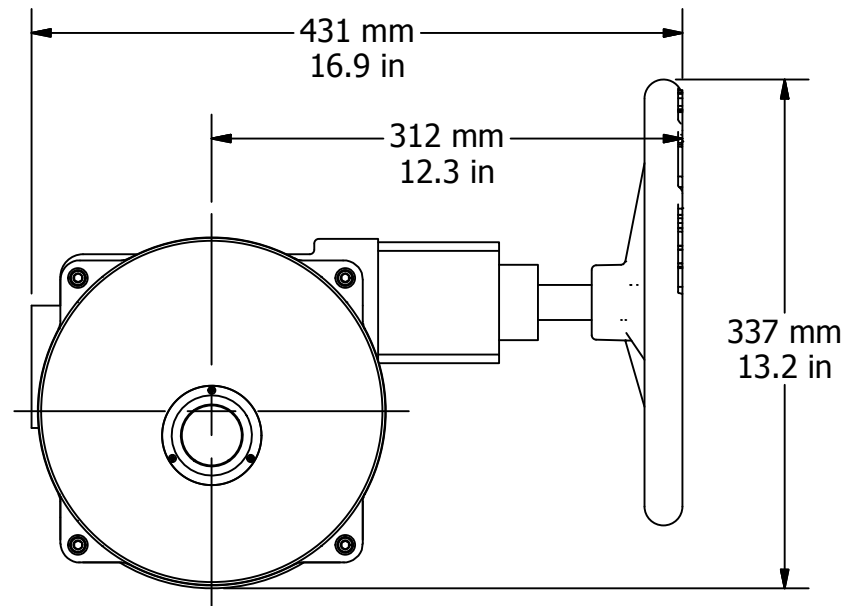
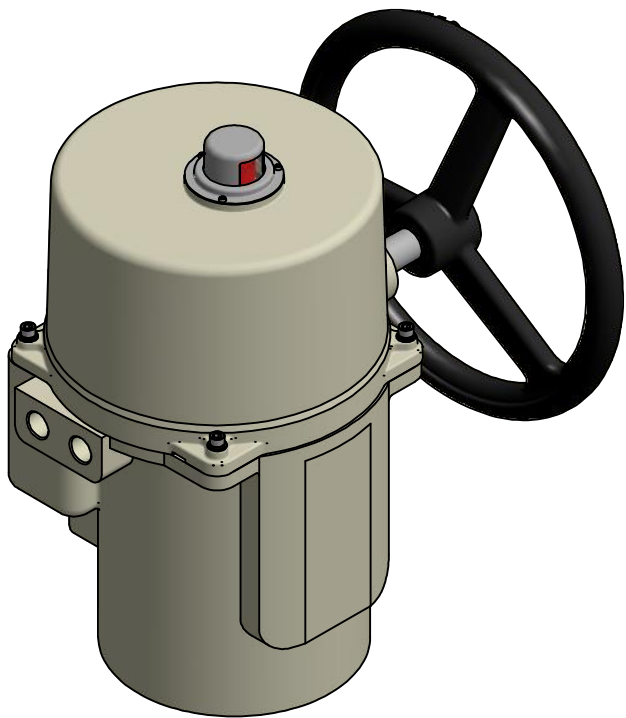


2

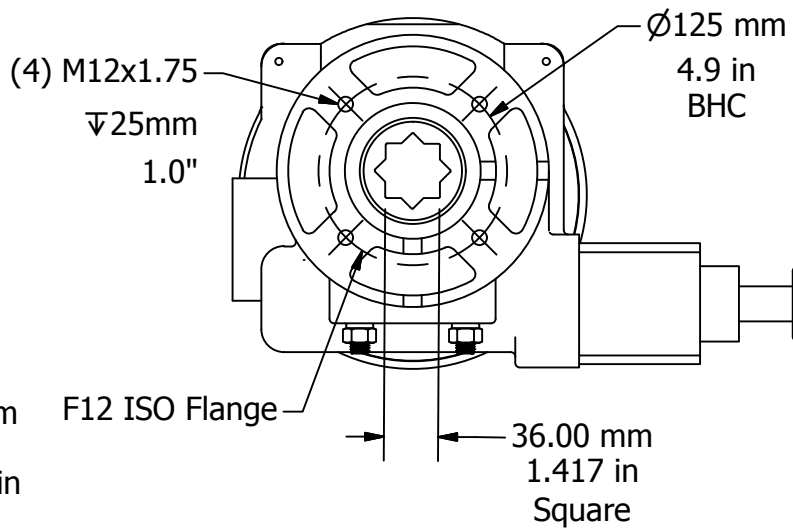
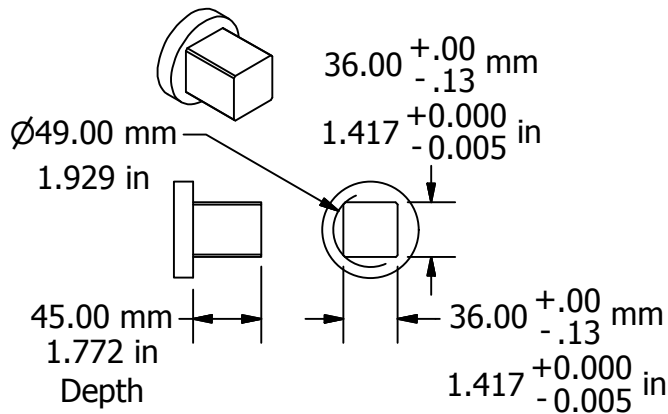
1

Engineering Change Notice

REV	Change Date	Description	Name
A	11.08.2013	New Document	KHL
B	04.15.2014	Added tolerance on drive coupling data	KHL
C	10.07.2014	Pushed square dimension to three decimal places	KHL
D	04.08.2015	Added Isometric view of Drive Coupling and "Depth" tag for clarity	KHL
E			
F			



Drive Coupling Fabrication Data



Drawn By KHL	Created: 5/2/2013	Part No.
Checked By KHL	Last Checked: 4/8/2015	This Document is the property of ProMation Engineering, Inc. Distribution of this document without the written consent of the owner is Strictly forbidden. Failure to comply will incur a liability for Damages.
Material	Finish	
Dimensional Tolerances (Unless Otherwise Noted): X ± 2.5mm [X.X ± .1] X.X ± .3mm [X.XX ± .01"] X.XX ± .13mm [X.XXX ± .005"] ALL TOLERANCE FEATURES IN mm		

Promotion Engineering Inc. 16138 Flight Path Drive Brooksville, FL 34604		Phone: 352-544-8436 Fax: 352-544-8439
--	--	--

ProMation Engineering, Inc.		
Dwg. Name: P7_8 TS F12 8P36 DimData.idw		
	P7~P8 TS Dim Data	Rev. D
Dimensional Data for P7~P8 TS Actuators		
NO SCALE	1	Sheet Number: 1

2

1