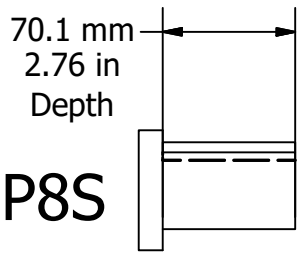
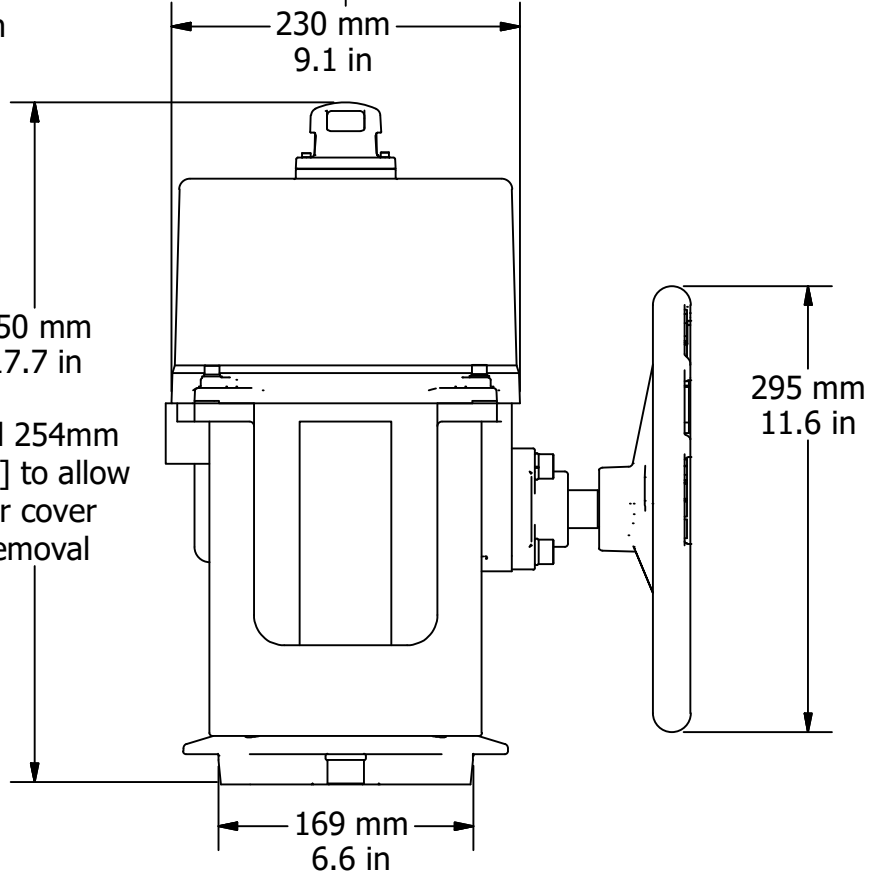
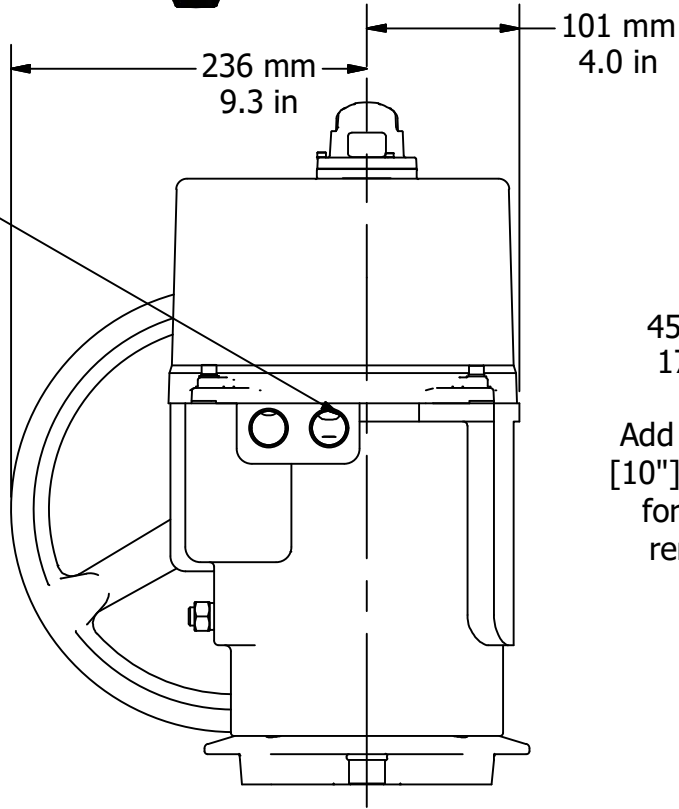
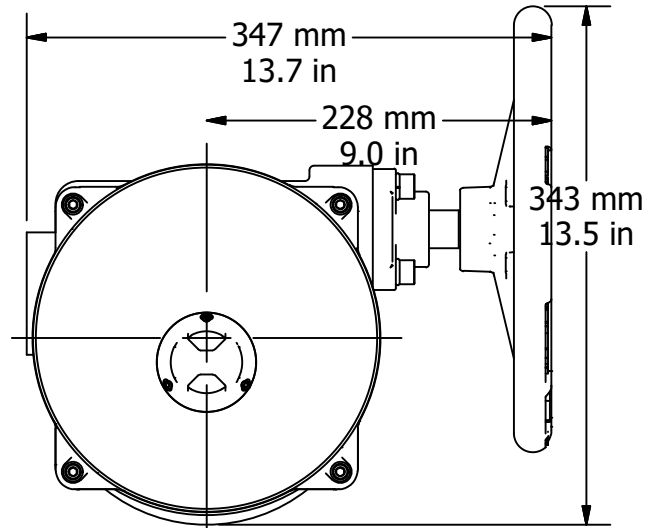
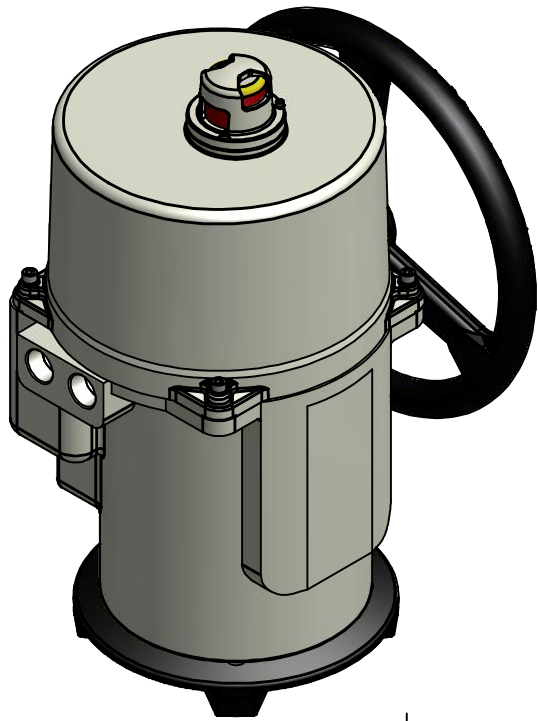
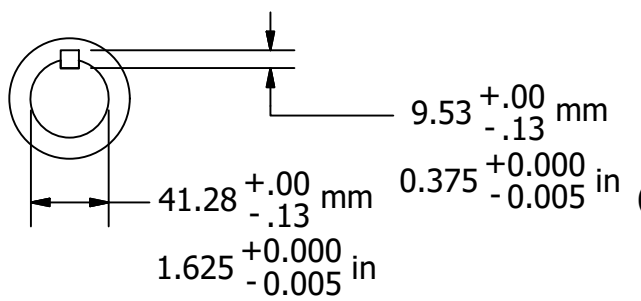


### Engineering Change Notice

REV	Change Date	Description	Name
A	02/04/2022	New drawing from P7-8S(35.02 key7.96)	DJG
B			
C			
D			
E			
F			



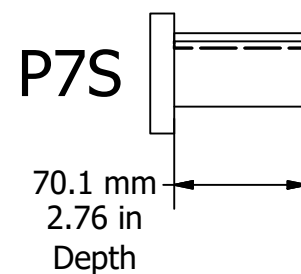
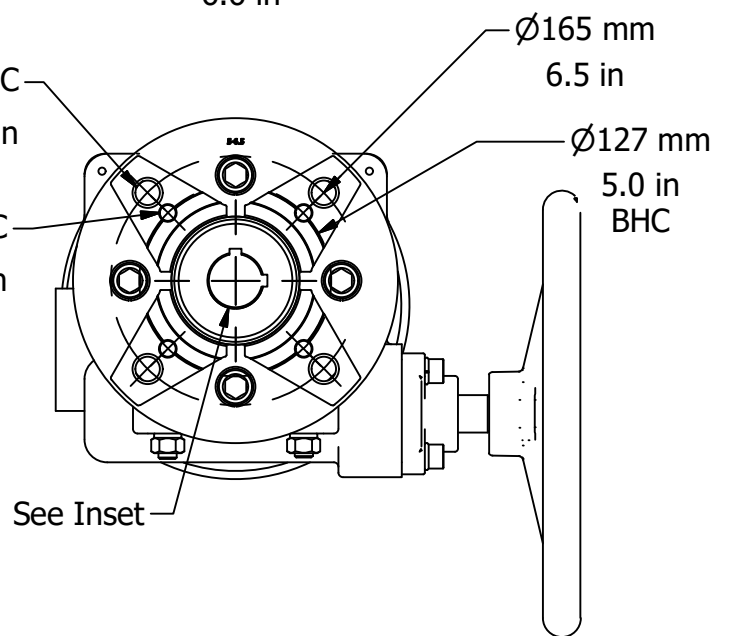
P8S



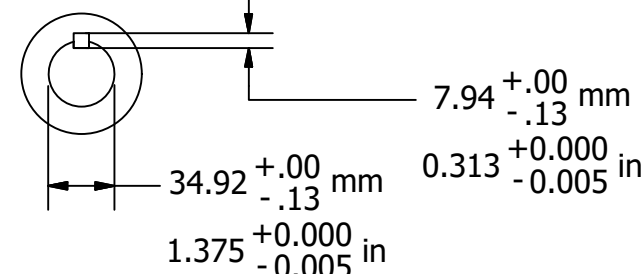
#### Drive Coupling Fabrication Data

(4) 3/4-10UNC  
▽1.0 in

(4) 1/2-13UNC  
▽0.63 in



P7S



Drawn By DJG	Created: 5/2/2013
Checked By DJG	Last Checked: 1/4/2022
Material	Finish
Dimensional Tolerances (Unless Otherwise Noted): X ± 2.5mm [X.X ± .1] X.X ± .3mm [X.XX ± .01"] X.XX ± .13mm [X.XXX ± .005"] ALL TOLERANCE FEATURES IN mm	

Part No.	This Document is the property of ProMation Engineering, Inc. Distribution of this document without the written consent of the owner is Strictly forbidden. Failure to comply will incur a liability for Damages.
Promation Engineering Inc. 16138 Flight Path Drive Brooksville, FL 34604	
Phone: 352-544-8436 Fax: 352-544-8439	

<b>ProMation Engineering, Inc.</b>	
Dwg. Name	P7_8S 3.5in w key DimData.idw
Rev.	E
Dimensional Data for P7~P8 Actuators	
NO SCALE	Sheet Number: 1