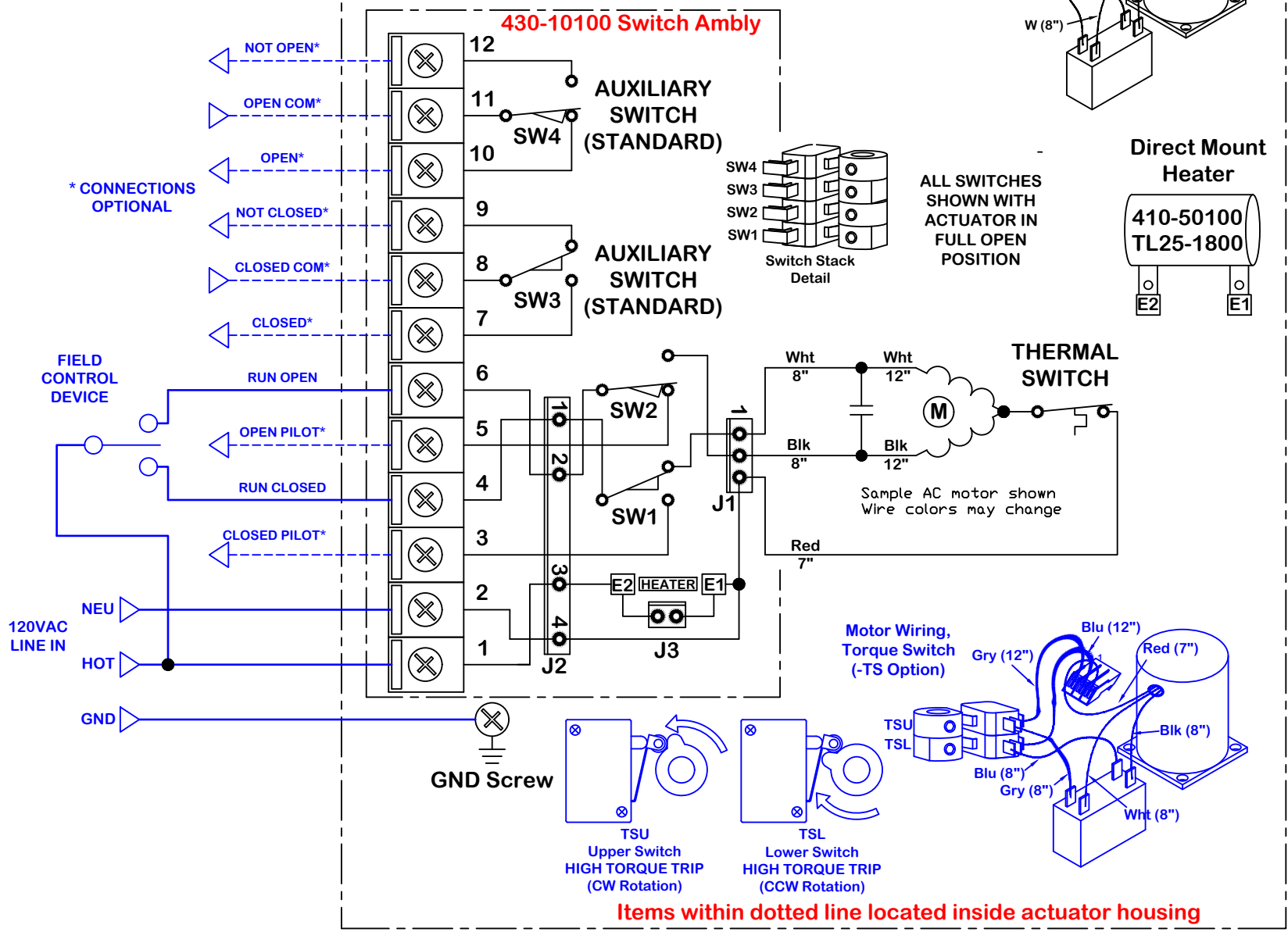


h	.	morning
g		
f		
e		
d		
c		
b		
a		
rev change date	revision	name
		12/4/2020 1:36 PM
ProMation		12/4/2020 1:36 PM
On/Off wiring diagram for 120/230vac P2 thru 13 N4 AND N7 actuators w/TS opt		12/4/2020 1:36 PM
WD-850-00100		12/4/2020 1:36 PM
REV A		12/4/2020 1:36 PM
ProMation Engineering, Inc. 16138 Flight Path Drive Brooksville, FL 34604 Ph:352-544-8436 Fx(352-544-8439		12/4/2020 1:36 PM



Actuator ships in fully closed position!

Use For:

P2-13 HV N4/N7 -(TS)

This document is the property of ProMation Engineering, Inc. Distribution of this document without the written consent of the owner is strictly forbidden. Failure to comply will incur a liability for damages.