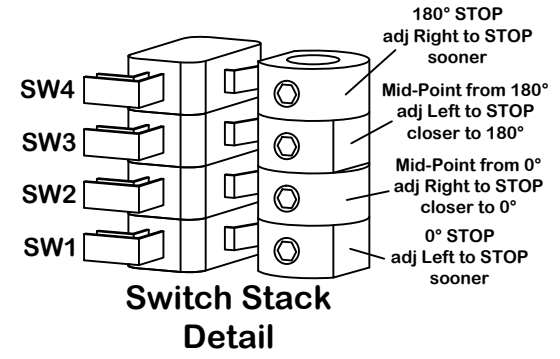
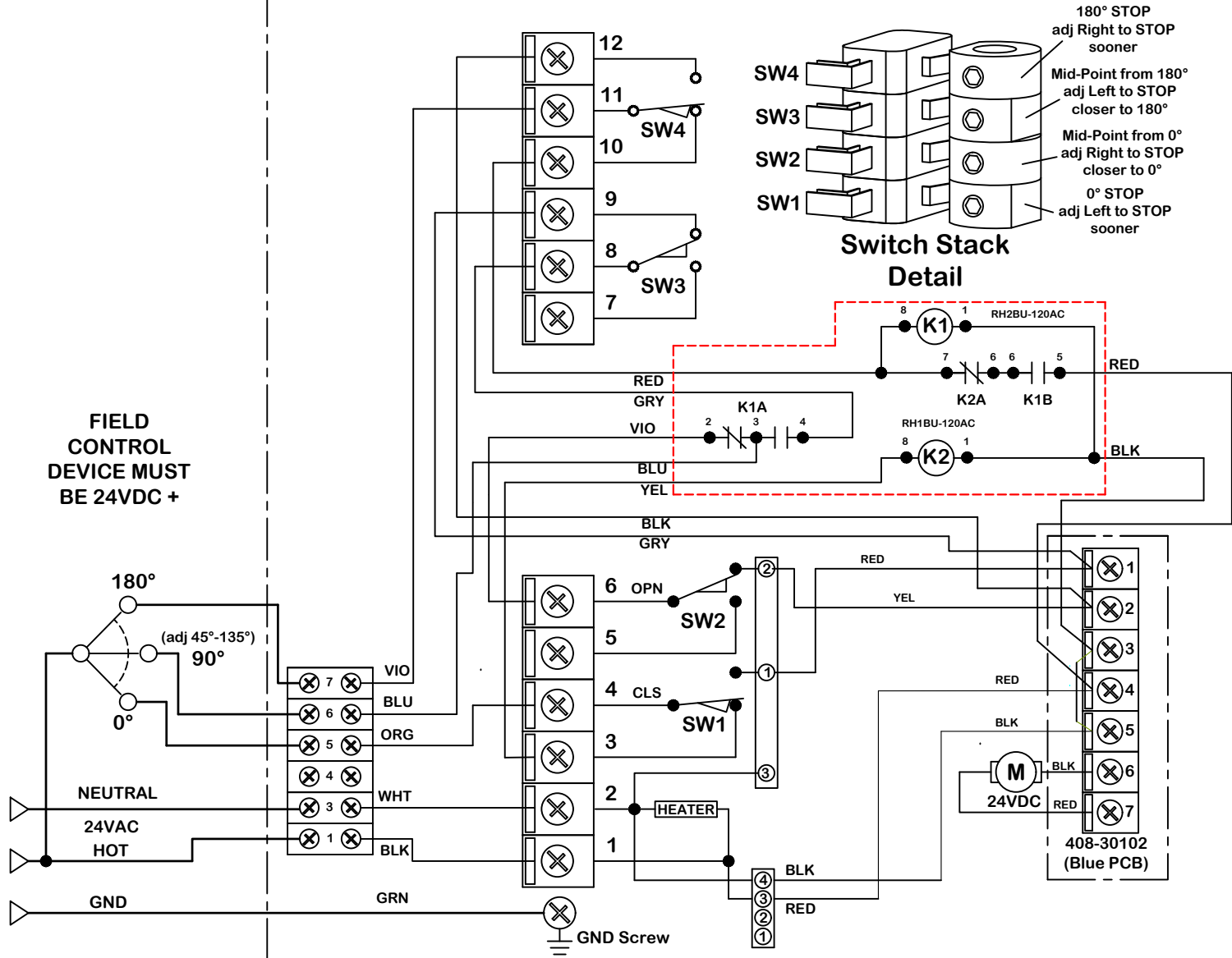


h	naming	
g	dwn by:	Date
f	BJW	8.12.2011
e	scale	NONE
d	material no	
c	ind	
b	material	
a	Wiring Diagram	
rev change date	revision	name
6.16.17	Defined from "WD-850-22H01 p1-10"	DAD
Promotion		
6/4/2019 2:01 PM	6/4/2019 2:01 PM	
WD-850-22H01 p1		
Wiring Diagram for 3 position Control. P2/3 Series 120VAC Actuators.		
REV	A	



Remove and plug mechanical stops!

Use For:

P2-8-24N4+DC-090180

This document is the property of ProMation Engineering, Inc. Distribution of this document without the written consent of the owner is strictly forbidden. Failure to comply will incur a liability for damages.