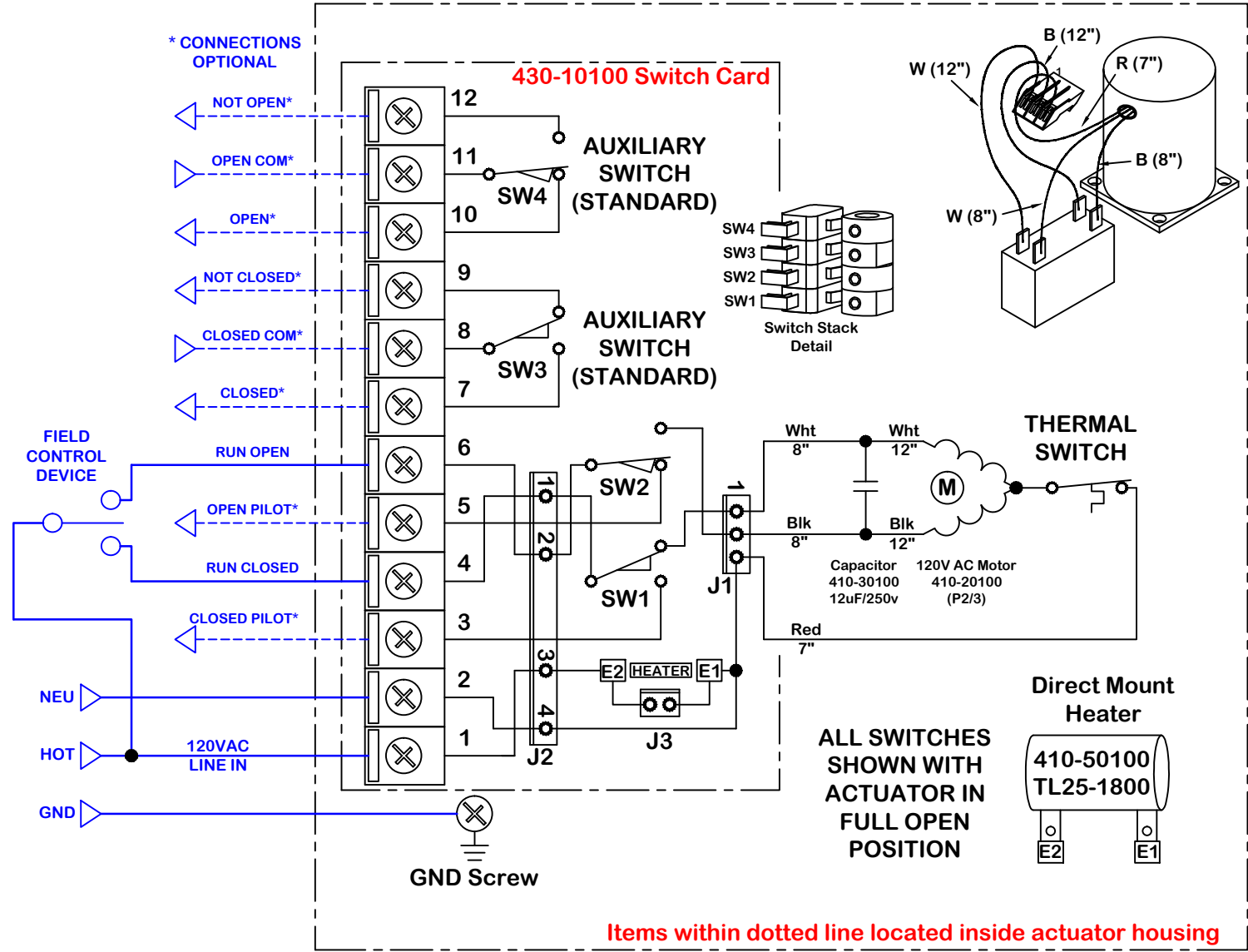


h	naming	
g	9/19/2016	revision
f	09/19/2016	revision
e	New Dwg with 10 conductor lead	revision
d	09/19/2016	revision
c		revision
b		revision
a		revision
rev	change date	revision
material no		
9/21/2016 8:24 AM		
WD-850-24104.dwg		
On/Off wiring diagram for 120vac P2/3 Series Actuators w/ 10 cnd lead		
REV		
A		

Optional Pre-wired 10 conductor lead p/n 410-10620
(ORG = Spare)
WHTIBLK 11
GRNIBLK 10
ORGIBLK 8
REDIBLK 7
BLU 6
RED 4
WHT 2
BLK 1
GRN GND



Actuator ships in fully closed position!

Use For:

P2/3-120N4 w/ 10 cnd Id

This document is the property of ProMation Engineering, Inc. Distribution of this document without the written consent of the owner is strictly forbidden. Failure to comply will incur a liability for damages.