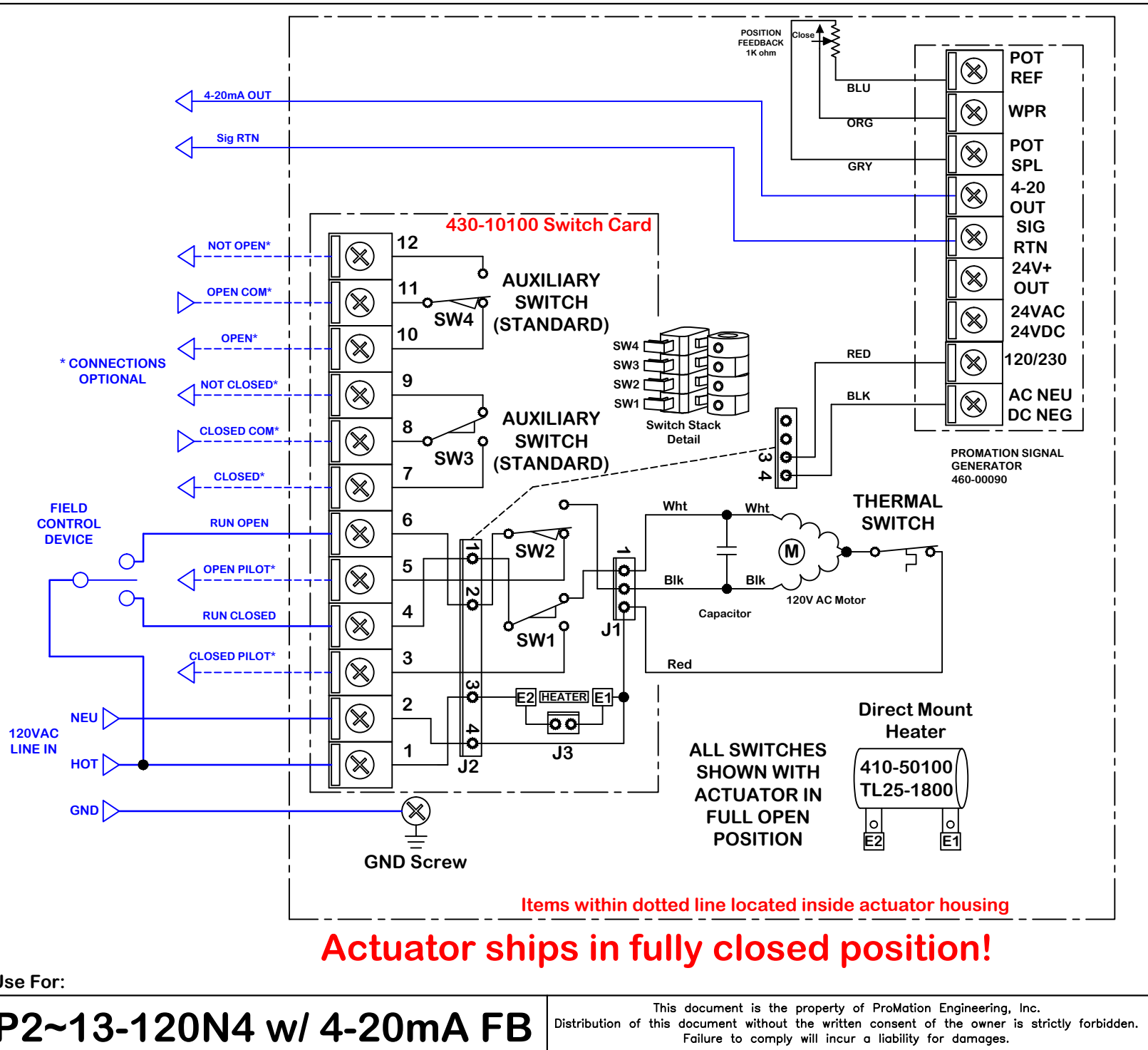


noming			material no			ind			Wiring Diagram		
h	.		dwn by:	Date							
g			KHL	3.26.2013							
f											
e											
d											
c	01.24.20	Added all terminals to gen board	PBR								
b	06.13.2013	Made into P2~13 WP	KHL								
a	03.26.2013	New Document	KHL								
rev	change date	revision	name								
				1/24/2020 9:33 AM							
Promation				On/Off wiring diagram for 120vac P2~13 Series Actuators with 4-20mA Feedback							
WD-850-24161				WD-850-24161.dwg							
REV				C							



Use For:

P2~13-120N4 w/ 4-20mA FB

This document is the property of ProMation Engineering, Inc. Distribution of this document without the written consent of the owner is strictly forbidden. Failure to comply will incur a liability for damages.