

rev	change date	revision	name	9/21/2016 8:22 AM	WD-850-24203.dwg	REV	<b>A</b>
h	noming			material no			Wiring Diagram
g	dwn by: BJW			Date: 12.16.2011			
f	scale: NONE			ind			
e	material			material			
d							
c							
b	Added leads						
a	09.19.2016						

**ProMation**

**WD-850-24203**

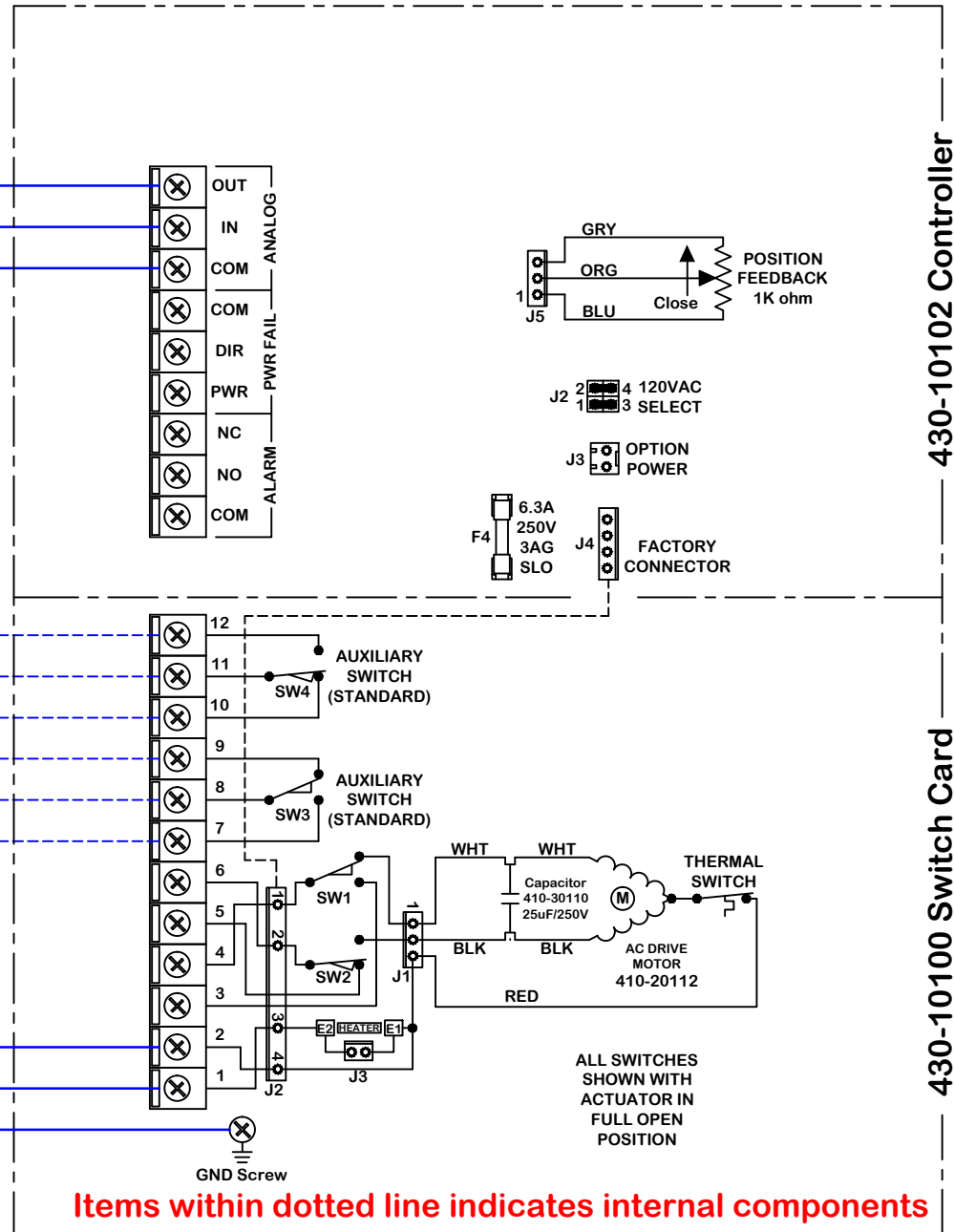
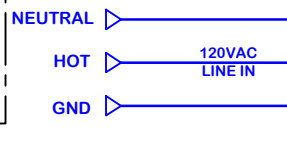
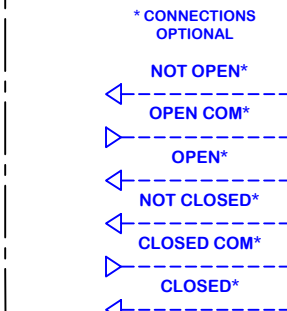
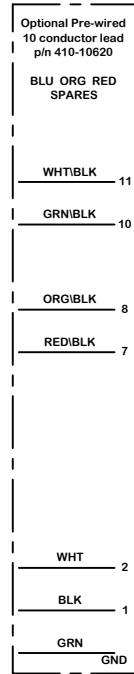
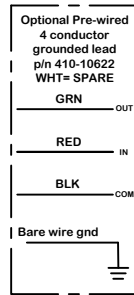
Wiring Diagram for proportional Control.  
P2/3 Series 120VAC Actuators with leads

Use For:

**P2/3-120PN4 w/ leads**

ProMation Engineering, Inc.  
16138 Flight Path Drive  
Brooksville, FL 34604  
Ph:352-544-8436 Fx:352-544-8439

This document is the property of ProMation Engineering, Inc.  
Distribution of this document without the written consent of the owner is strictly forbidden.  
Failure to comply will incur a liability for damages.



Items within dotted line indicates internal components

**Actuator ships in fully closed position!**

430-10102 Controller

430-10100 Switch Card