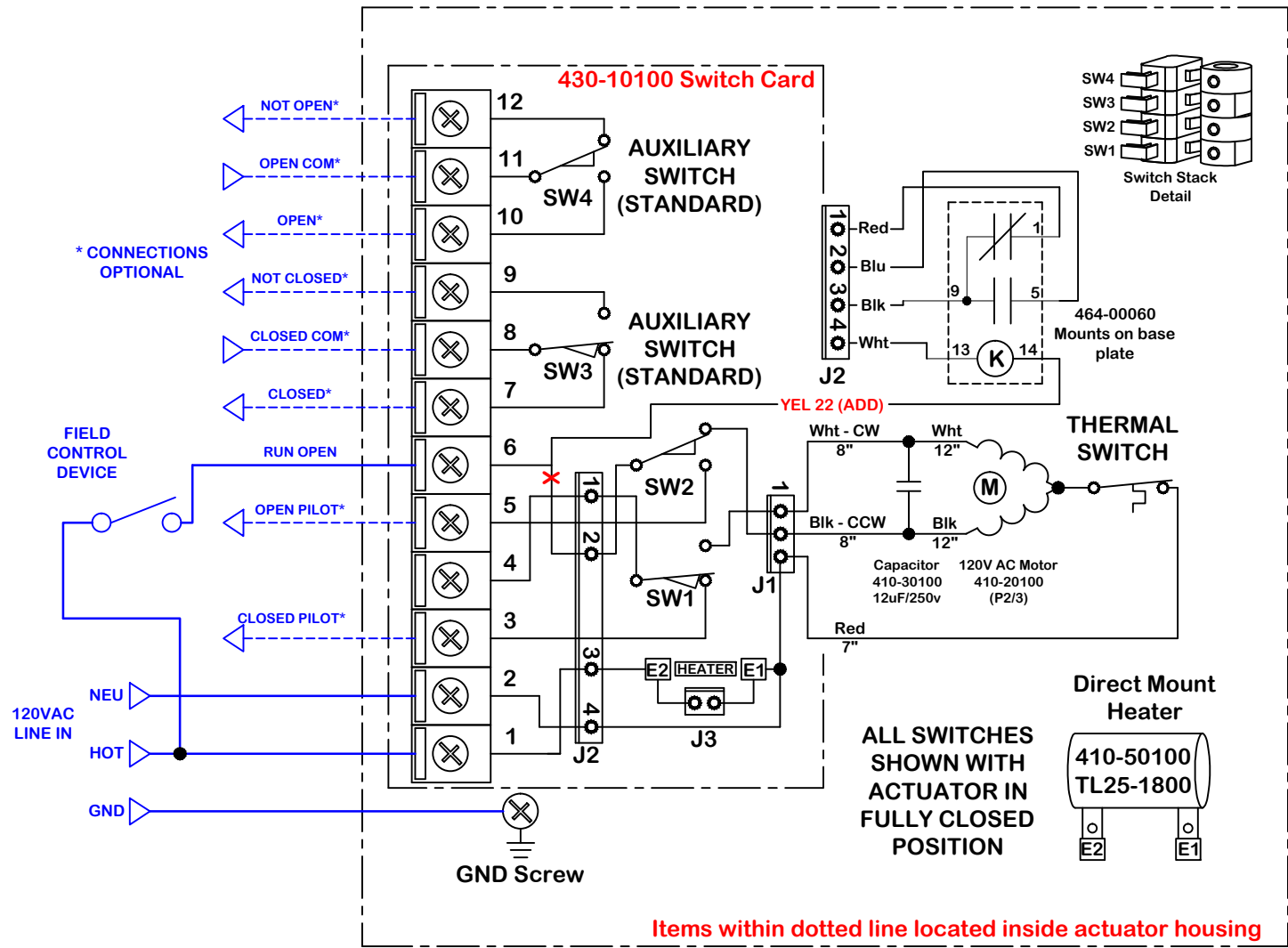


rev	change date	revision	name	scale	material no	ind	Wiring Diagram
c							
d							
e							
f							
g							
h							
i							
j							
		norming					
		dwn by: BJW		Date: 3.6.2012			
		scale: NONE					
		name: Promatation		8/30/2012 3:27 PM			
		material no: WD-850-24501					
		Normally CLOSED (Relay to Open) wiring diagram for 120vac P2/3 actuators.					
		REV C					



**Actuator ships in fully closed position!**

Use For:

**P2/3-120N4-RO**

ProMatation Engineering, Inc.  
16138 Flight Path Drive  
Brooksville, FL 34604  
Ph:352-544-8436 Fx:352-544-8439

This document is the property of ProMatation Engineering, Inc.  
Distribution of this document without the written consent of the owner is strictly forbidden.  
Failure to comply will incur a liability for damages.