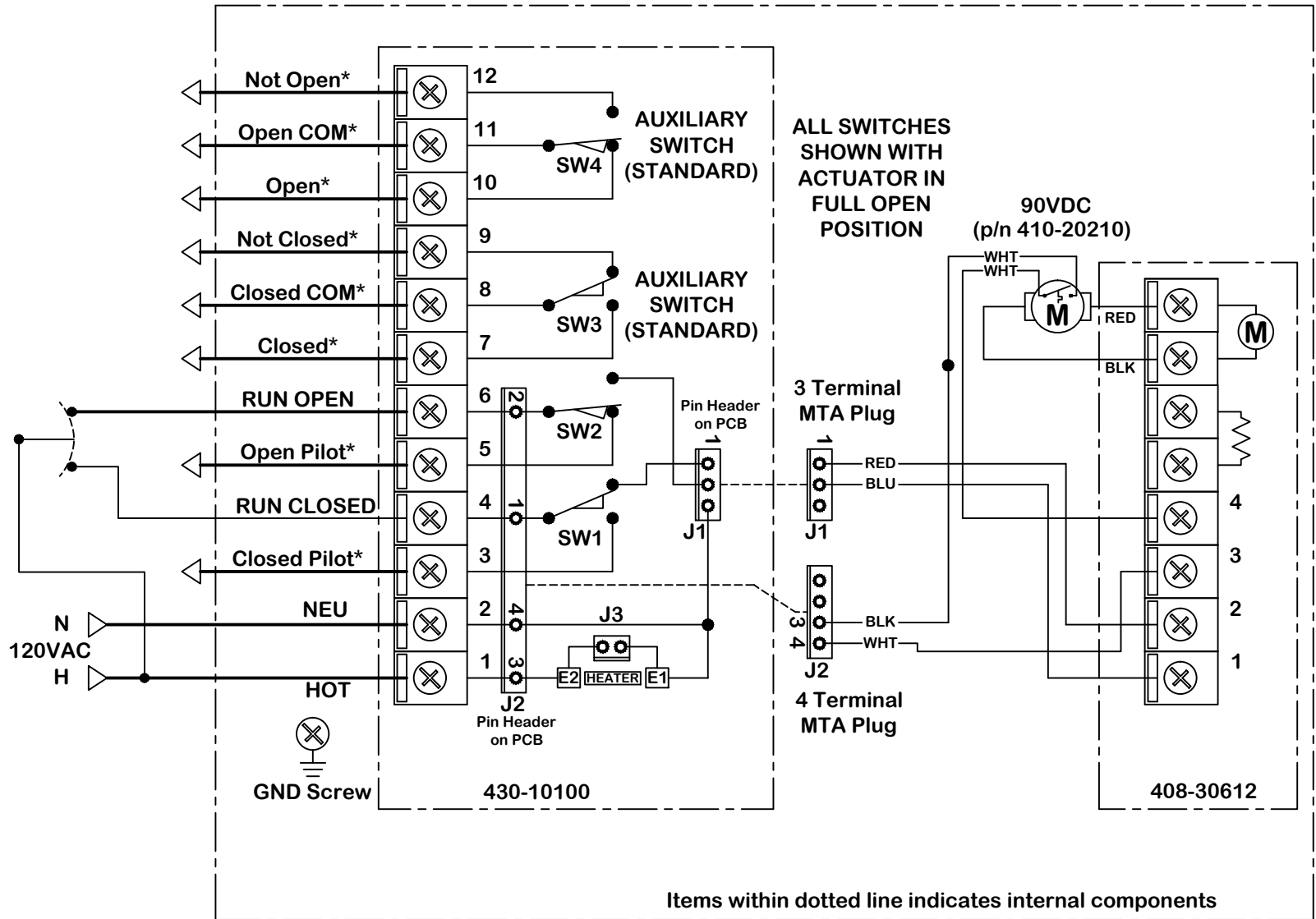


rev	change date	revision	name	5/6/2014 5:07 PM	WD-850-24702 90VDC Drive.dwg
c					
d					
e					
f					
g					
h					
i					
j					
noming			material no		
dwn by: BJW			Date 5.6.2014		
scale NONE			ind		
ProMation			Writing Diagram		
5/6/2014 5:07 PM			material		
WD-850-24702 90VDC Drive			Writing Diagram		
P2/3 Series 120vac Actuator			material		
REV C			Writing Diagram		



**Actuator ships in fully closed position!**

Use For:

**P2/3-120N4-ED**

ProMation Engineering, Inc.  
16138 Flight Path Drive  
Brooksville, FL 34604  
Ph:352-544-8436 Fx:352-544-8439

This document is the property of ProMation Engineering, Inc.  
Distribution of this document without the written consent of the owner is strictly forbidden.  
Failure to comply will incur a liability for damages.