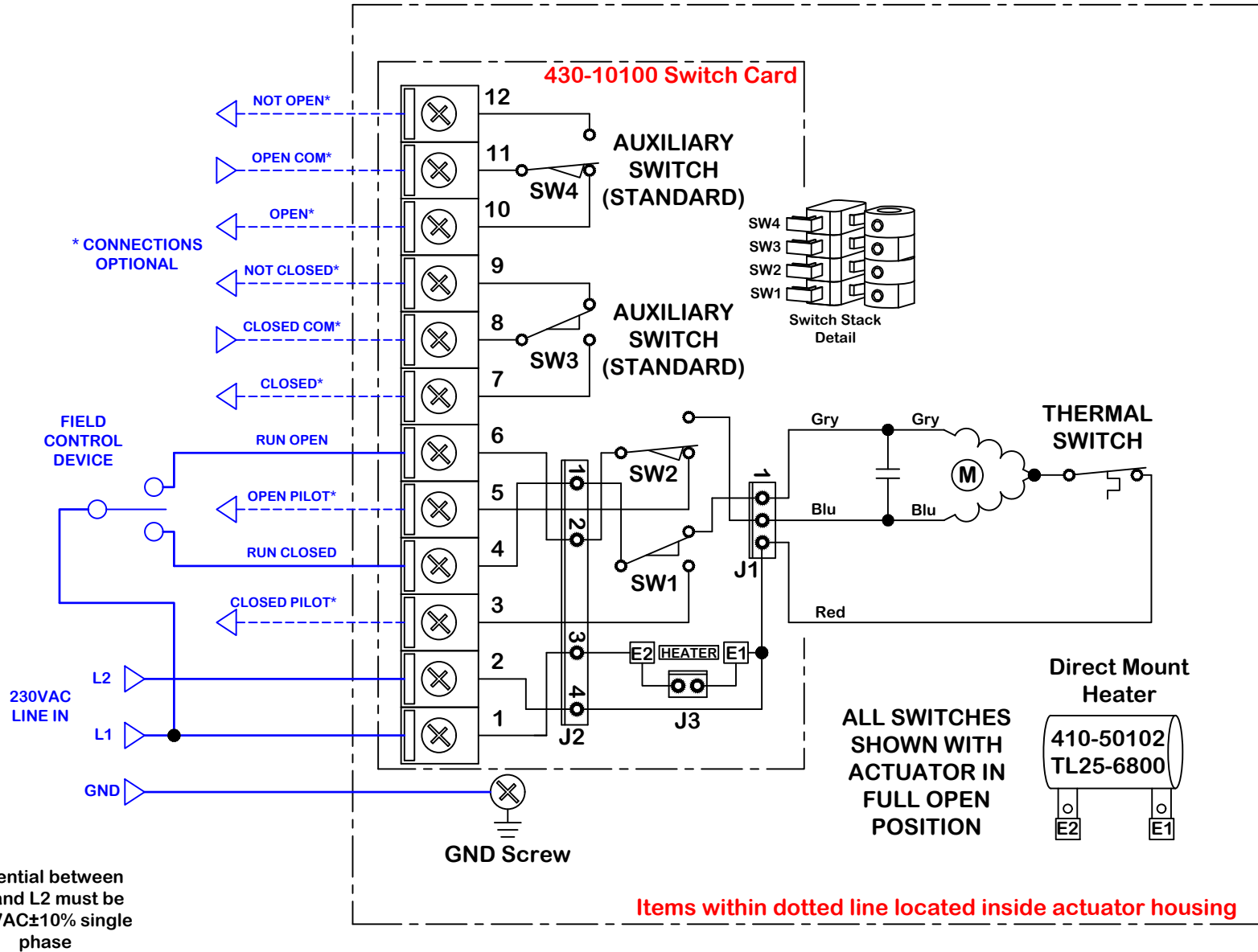


h	naming		material no		Wiring Diagram	
g	dwn by:	Date	ind		material	
f	BJW	5.17.2013				
e	scale	NONE				
d						
c						
b	Added voltage potential specification					
a	Added "Print date" and "Title" label					
rev	change date	revision	name		5/18/2020 2:12 PM	
ProMation		WD-850-25101.dwg		REV		B



Actuator ships in fully closed position!

Use For:

P2/3-230N4

This document is the property of ProMation Engineering, Inc. Distribution of this document without the written consent of the owner is strictly forbidden. Failure to comply will incur a liability for damages.

ProMation Engineering, Inc.
16138 Flight Path Drive
Brooksville, FL 34604
Ph:352-544-8436 Fx(352-544-8439