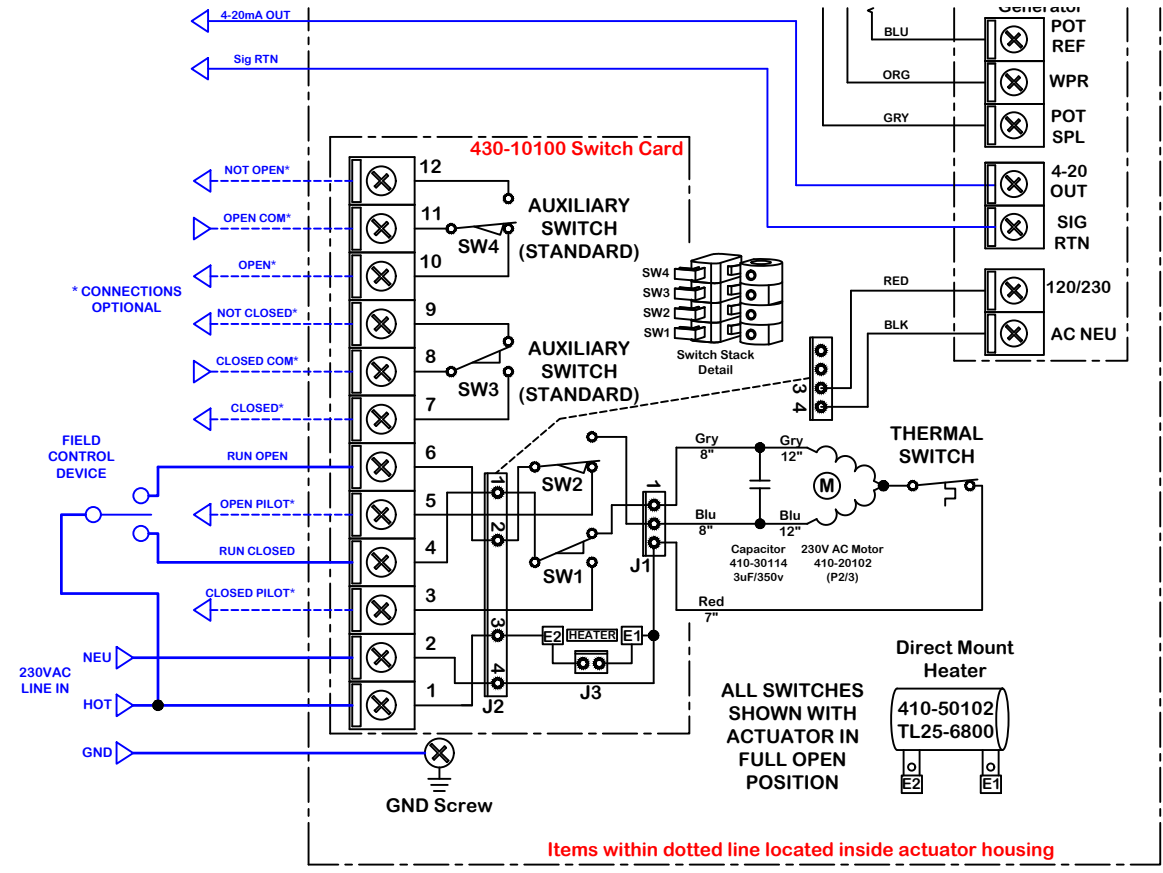


revision	name	material no	ind	material
10/17/2019 11:47 AM	Promotion	WD-850-25161 B		
date	dwg by:	Wiring Diagram		
3.26.2013	KHL			
scale	NONE			
name	WD-850-25161 B.dwg			
revision	name	WD-850-25161 B.dwg		
10/17/2019 11:47 AM	Promotion	WD-850-25161 B		
date	dwg by:	Wiring Diagram		
3.26.2013	KHL			
scale	NONE			
name	WD-850-25161 B.dwg			
revision	name	WD-850-25161 B.dwg		
10/17/2019 11:47 AM	Promotion	WD-850-25161 B		



Use For:

P2/3-230N4 w/ 4-20mA FB

ProMation Engineering, Inc.
16138 Flight Path Drive
Brooksville, FL 34604
Ph:352-544-8436 Fx:352-544-8439

This document is the property of ProMation Engineering, Inc.
Distribution of this document without the written consent of the owner is strictly forbidden.
Failure to comply will incur a liability for damages.