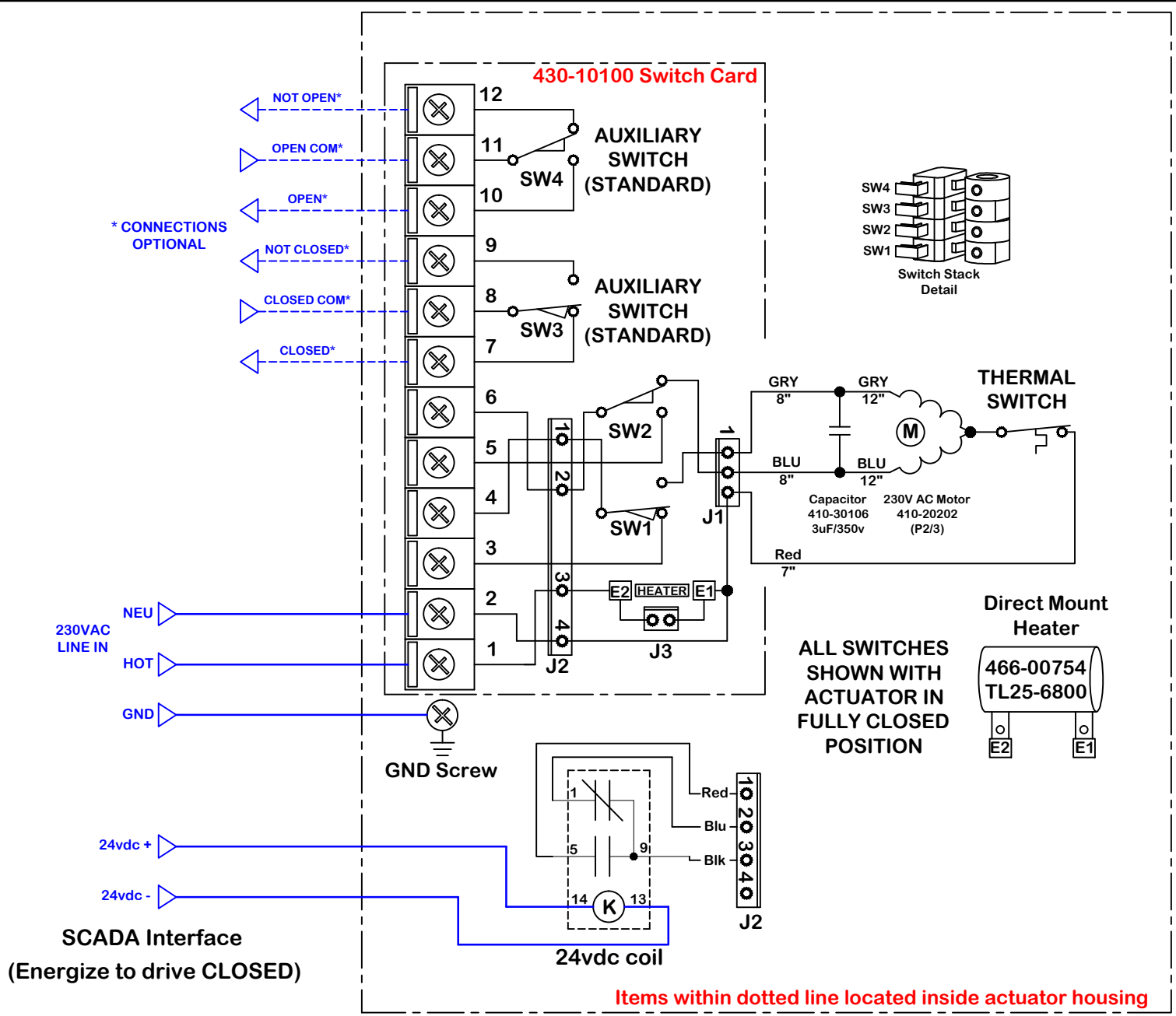


rev	change date	nom	name	7/30/2015 4:59 PM	WD-850-25S02.dwg
c	07/30/2015				
d					
e					
f					
g					
h					
i					
j					
		norming			
		material no			
		ind			
		material			
		Wiring Diagram			
		dwn by:		Date	
		BJW		1.30.2014	
		scale		NONE	
		Promation		Normally OPEN (Relay to Close) wiring diagram for 230vac P2/3 actuators.	
		REV		C	



**Actuator ships in fully closed position!**

Use For:

**P2/3-230N4-SCADA-NO**

This document is the property of ProMation Engineering, Inc. Distribution of this document without the written consent of the owner is strictly forbidden. Failure to comply will incur a liability for damages.