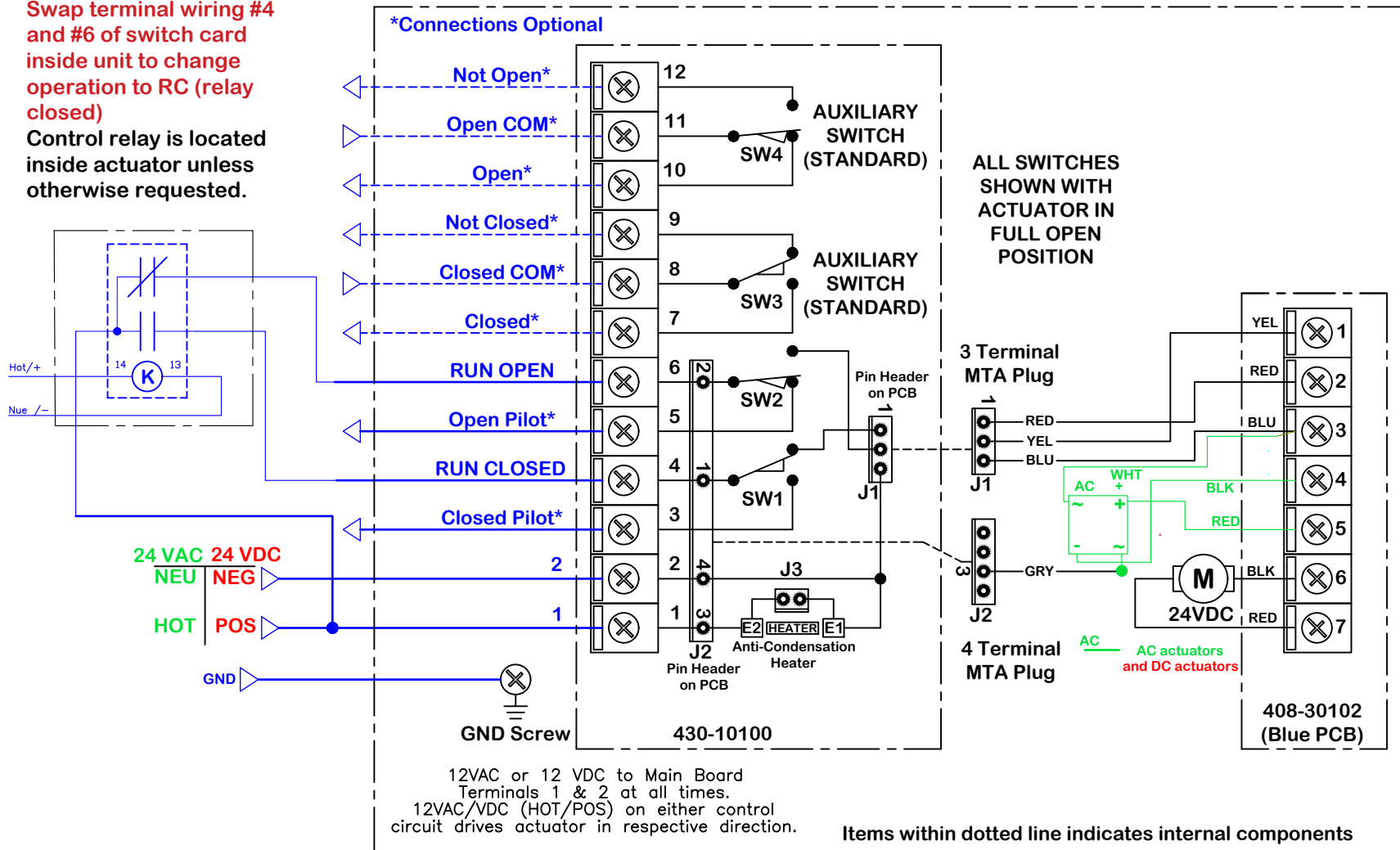


rev change date	h	g	f	e	d	c	b	a	name	5/4/2021 10:28 AM	4.23.2015	PMR	dwn by:	DATE	Scale	NONE	Material no	ind	Wiring Diagram
revision									DWG										
name	Promotion																		
name	WD-850-2A522_RO_RC																		
name	Wiring Diagram for 2 position or Jog Control. P2/3 Series 24AC/DC, External Relay to Open																		
name	REV A																		

Relay coil voltage must be selected at time of order. 24AC or DC or 120Vac.
 Default operation is RO
Swap terminal wiring #4 and #6 of switch card inside unit to change operation to RC (relay closed)
 Control relay is located inside actuator unless otherwise requested.



Use For:

P2/8-24N4+ACDC-RO/RC

This document is the property of ProMation Engineering, Inc. Distribution of this document without the written consent of the owner is strictly forbidden. Failure to comply will incur a liability for damages.