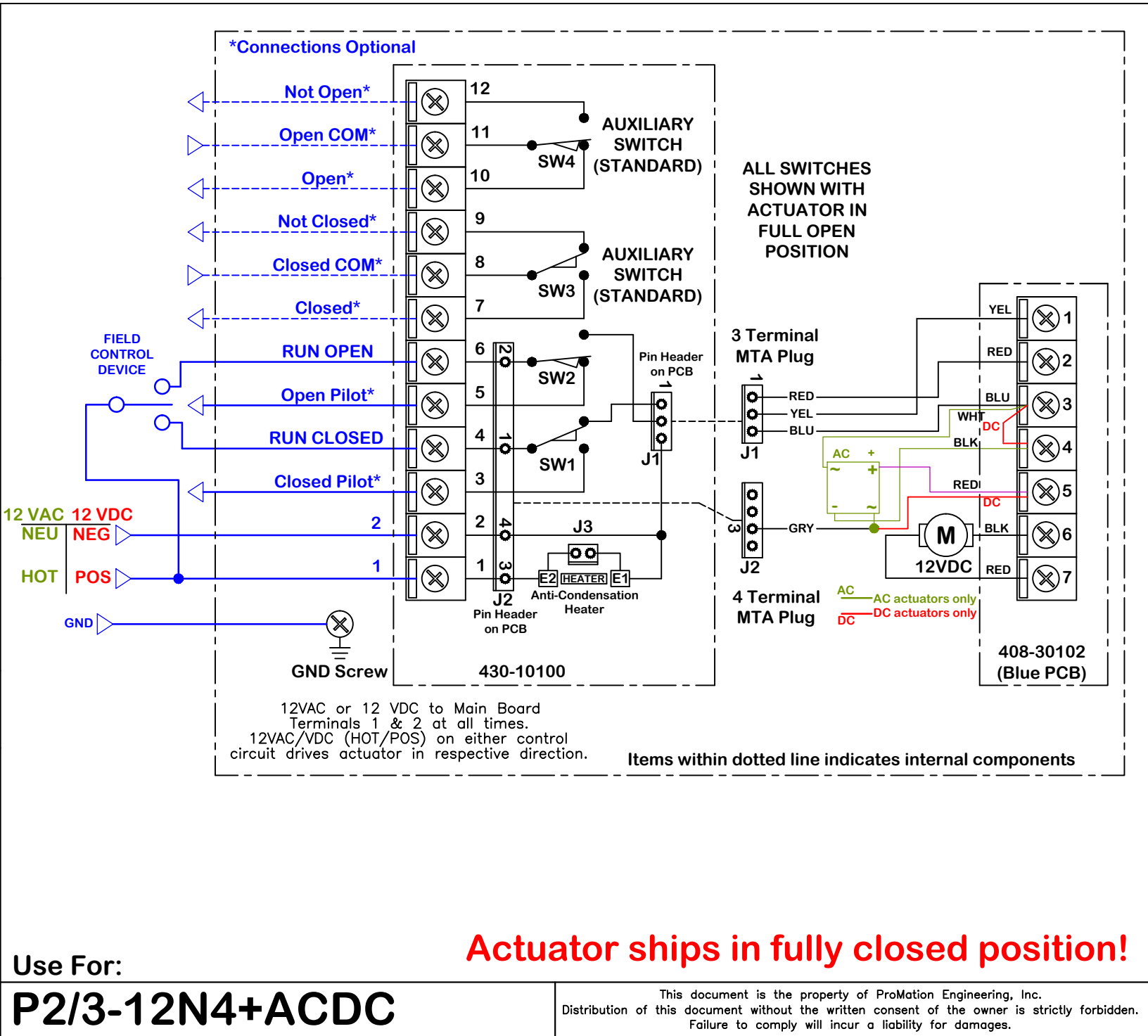


rev	change date	revision	name	5/22/2017 1:07 PM	P:\C CAD Files\Factory Wiring Dwgs\WD-8XX Files\WD-850\P2-3
h	noming		dwn by:	Date	Wiring Diagram for 2 position or Jog Control, P2/3
g			BJW	4.23.2015	Series 12VAC or VDC Actuators, Positive Switched.
f			scale	NONE	REV
e					B
d					
c	01.28.17	Changed to +ACDC			
b	02.03.16	Hot switching AC or DC, updated 180A Neptune 21101 and 20101 WAs	DUG		
a					



Use For:

P2/3-12N4+ACDC

This document is the property of ProMation Engineering, Inc. Distribution of this document without the written consent of the owner is strictly forbidden. Failure to comply will incur a liability for damages.