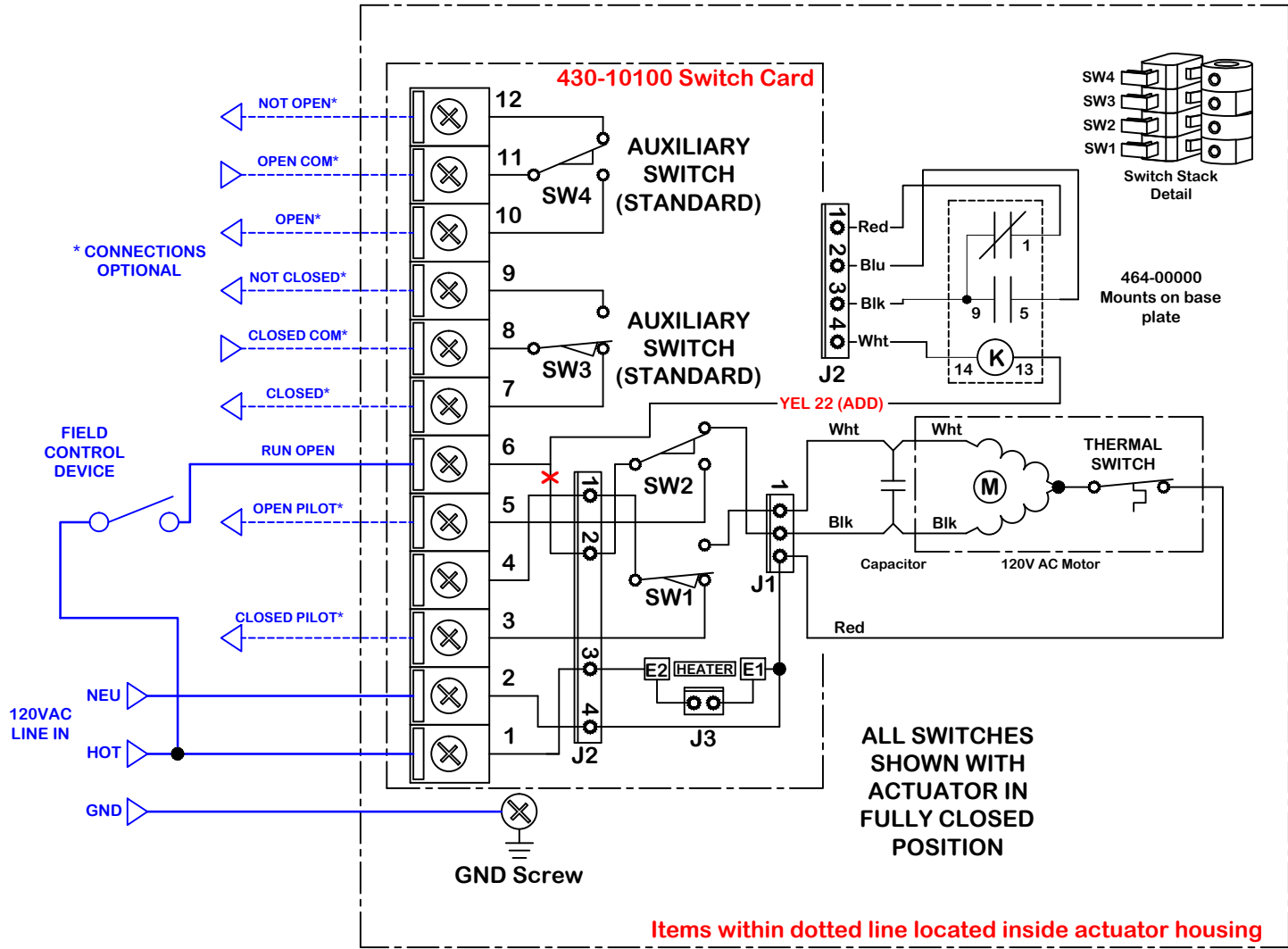


rev	change date	revision	name	date	material no	ind	Wiring Diagram
e	08/22/2012						
f	02/03/18	Revised P2-13 changed, del wire lengths Del header detail, add trace cut, YEL					
g	02/21/18	Changed to P2-13					
h							
i							
j							
k							
l							
noming				dwn by:			
				BJW	7.14.2011		
				scale	NONE		
				Date			
				material no			
				ind			
				material			
				REV			
				<b>G</b>			
				<b>Promation</b>			
				Normally CLOSED (Relay to Open) wiring diagram for 120vac P4/5/6 actuators.			
				WD-850-34501.dwg			



X signifies a trace cut

Use for:

# P2-13-120N4-RO

ProMation Engineering, Inc.  
16138 Flight Path Drive  
Brooksville, FL 34604  
Ph:352-544-8436 Fx(352-544-8439)

This document is the property of ProMation Engineering, Inc.  
Distribution of this document without the written consent of the owner is strictly forbidden.  
Failure to comply will incur a liability for damages.