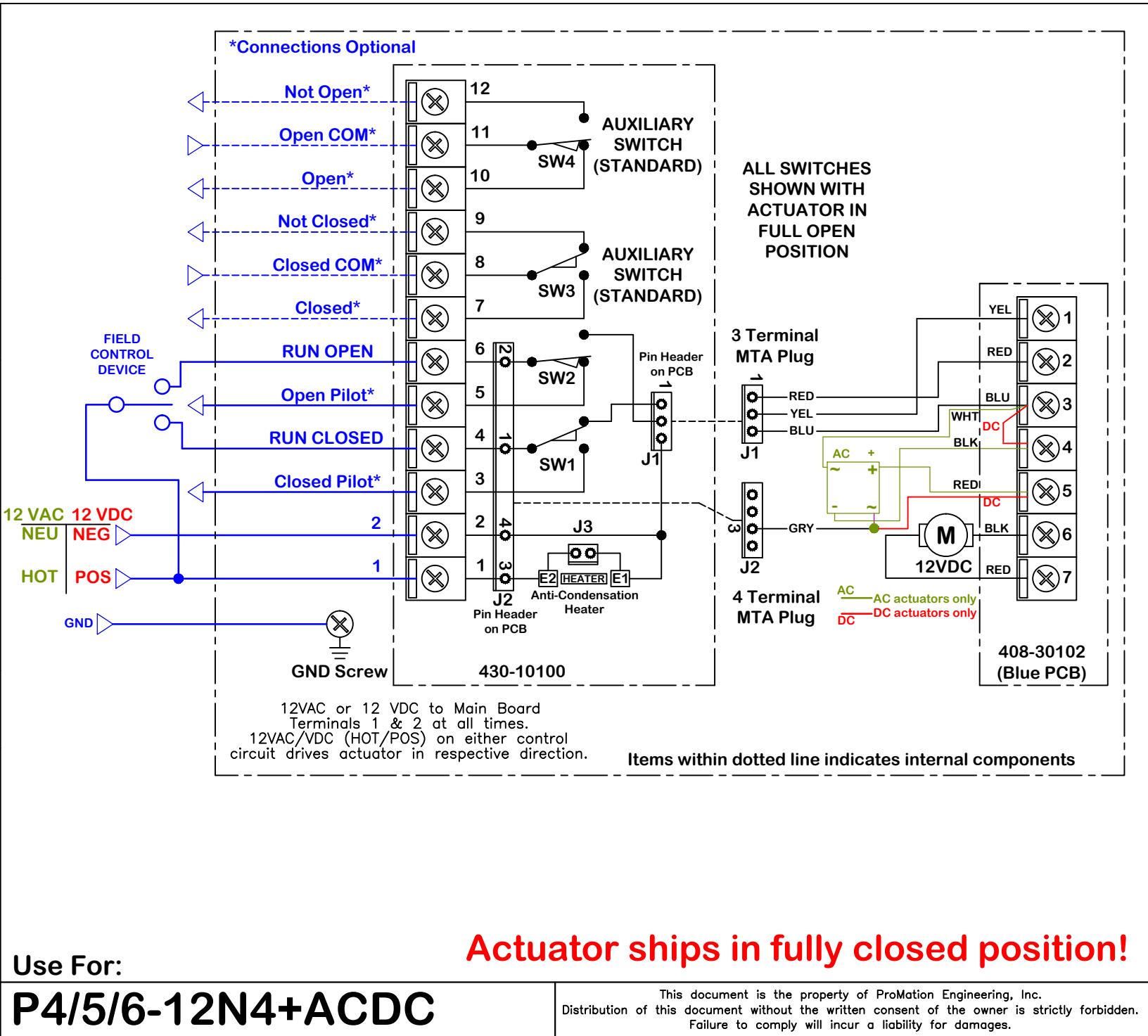


rev	change date	revision	name	3/28/2017 4:08 PM	P:\c CAD Files\Factory Wiring Dwgs\WD-8XX Files\WD-850\PA--6
h	.		noming		
g			dwn by:	Date	
f			BJW	4.23.2015	
e			scale	NONE	
d					
c	03/28/17				
b	02/03/16				
a					
rev	change date	revision	name	3/28/2017 4:08 PM	P:\c CAD Files\Factory Wiring Dwgs\WD-8XX Files\WD-850\PA--6
			material no		
			ind		
			material		
			Wiring Diagram		
			REV		
			A		
			WD-850-3E101 B		
			Wiring Diagram for 2 position or Jog Control, P456 Series 12VAC or VDC Actuators, Positive Switched.		
			ProMation Engineering, Inc. 16138 Flight Path Drive Brooksville, FL 34604 Ph:352-544-8436 Fx(352-544-8439		



Use For:

P4/5/6-12N4+ACDC

This document is the property of ProMation Engineering, Inc.
Distribution of this document without the written consent of the owner is strictly forbidden.
Failure to comply will incur a liability for damages.