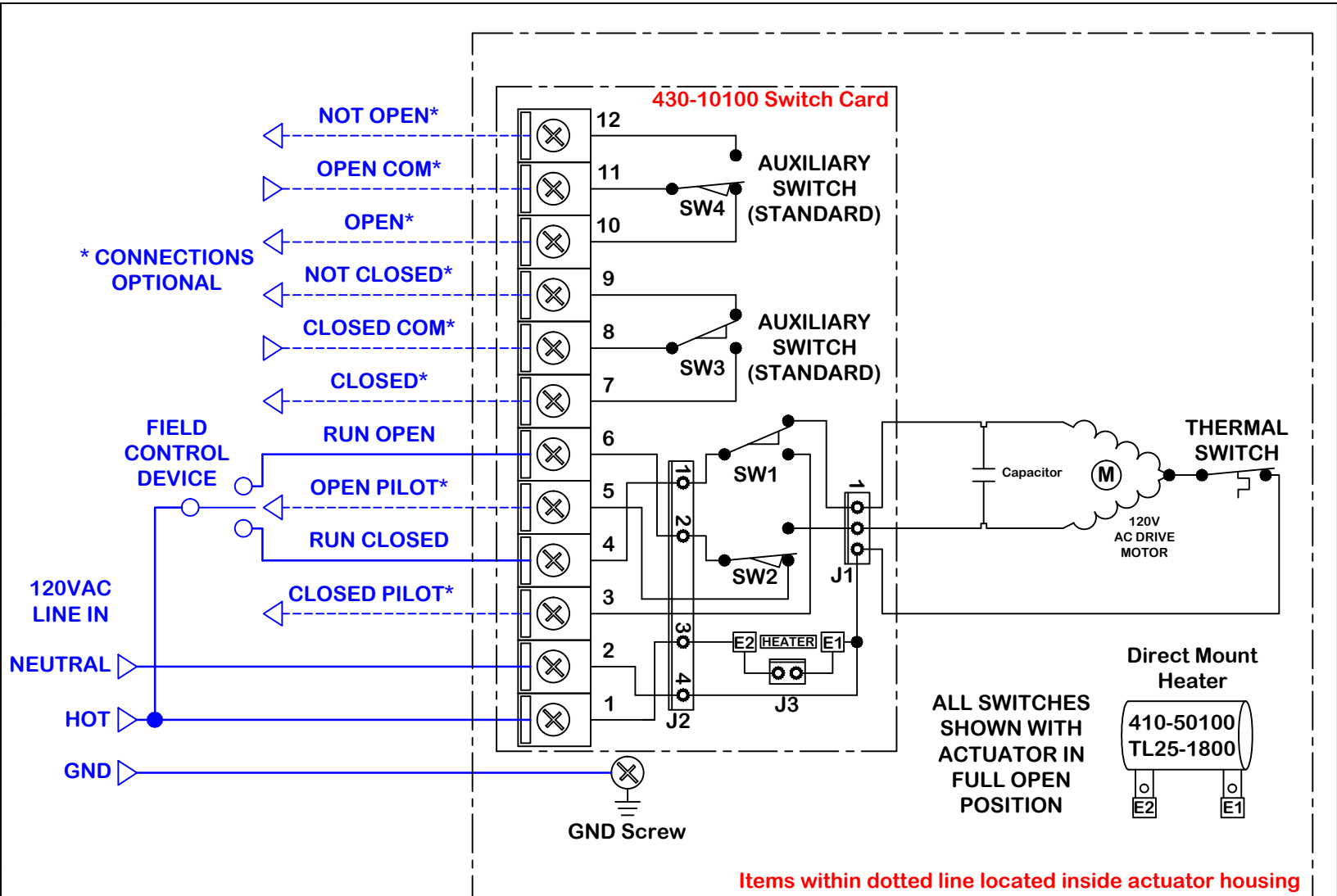


rev	change	date	added "Print Date" and "Title" label	revision	name	12/16/2013 4:11 PM	WD-850-54101.dwg	REV	A
h	naming		down by:	Date		material no		Wiring Diagram	
g			BJW	5.25.2011		ind		material	
f			scale		NONE				
e			scale		NONE				
d									
c									
b									
a									



Actuator ships in fully closed position!