

rev	C	05.13.2014	noming	material no	ind	Wiring Diagram
change date						
revision	New Document					
name	KHL					
date	5/13/2014 10:52 AM					
scale	NONE					
dwg by:	KHL	5.13.2014				
Date						
REV	C					

**Promation**

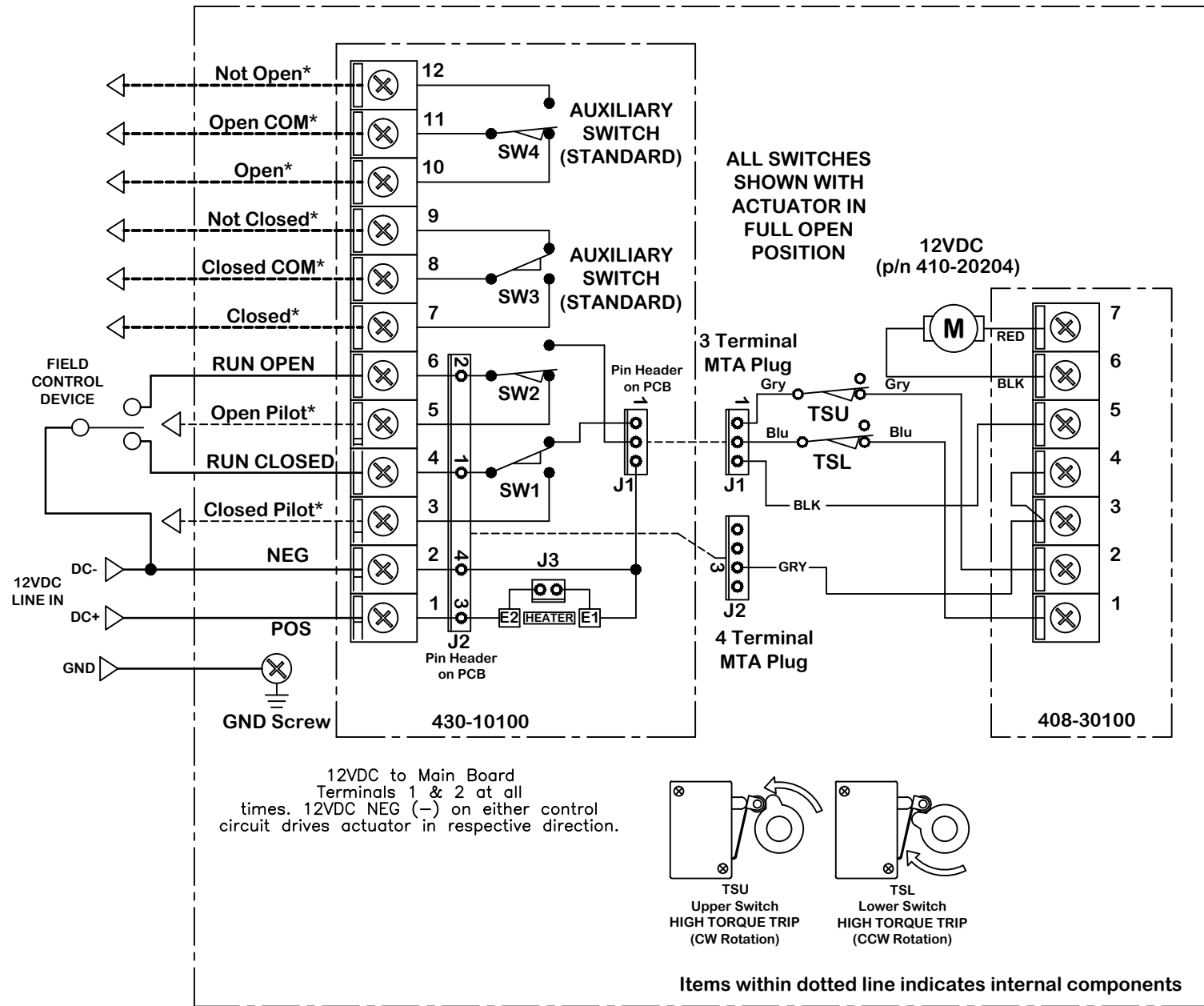
**WD-850-61101**

Wiring Diagram for 2 position or Jog Control.  
P2/3 Series 12VDC Actuators with Torque Switches.

ProMation Engineering, Inc.  
16138 Flight Path Drive  
Brooksville, FL 34604  
Ph:352-544-8436 Fx(352-544-8439)

Use For:

**P2/3-12N4-DC-TS**



**Actuator ships in fully closed position!**

This document is the property of ProMation Engineering, Inc.  
Distribution of this document without the written consent of the owner is strictly forbidden.  
Failure to comply will incur a liability for damages.