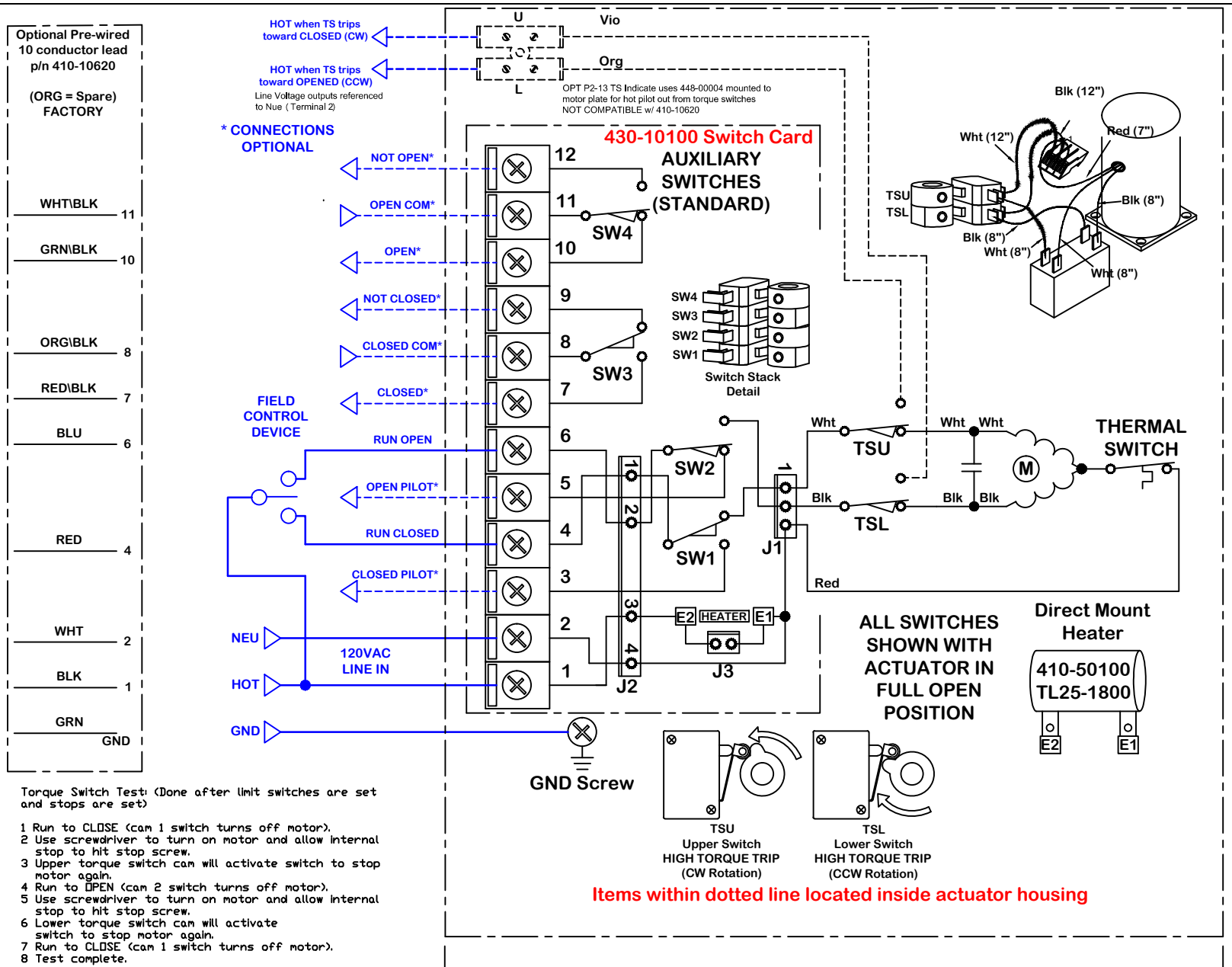


rev	change date	revision	name	3/28/2017 11:53 AM	WD-850-64101 rC.dwg
h	g	f	e	d	c
naming			material no		
dwn by: KHL			Date: 6.17.2014		
scale: NONE			ind		
material			Wiring Diagram		
Promation Wiring Diagram for 2 position or Jog Control. P23 Series 120vac Actuators with Torque Switches With optional 10 conductor lead			WD-850-64101 rC		
REV			C		
Added pilot TS option Change to P2/3 add 10 conductor lead option 06.17.2014 P20/030 Document, no wire colors			Date Dwg KHL		



Field Wiring (By Others)

Internal Wiring (FACTORY)

Actuator ships in fully closed position!

Use For:

P2/3 -120N4-TS w 10 cond lead

This document is the property of ProMation Engineering, Inc. Distribution of this document without the written consent of the owner is strictly forbidden. Failure to comply will incur a liability for damages.