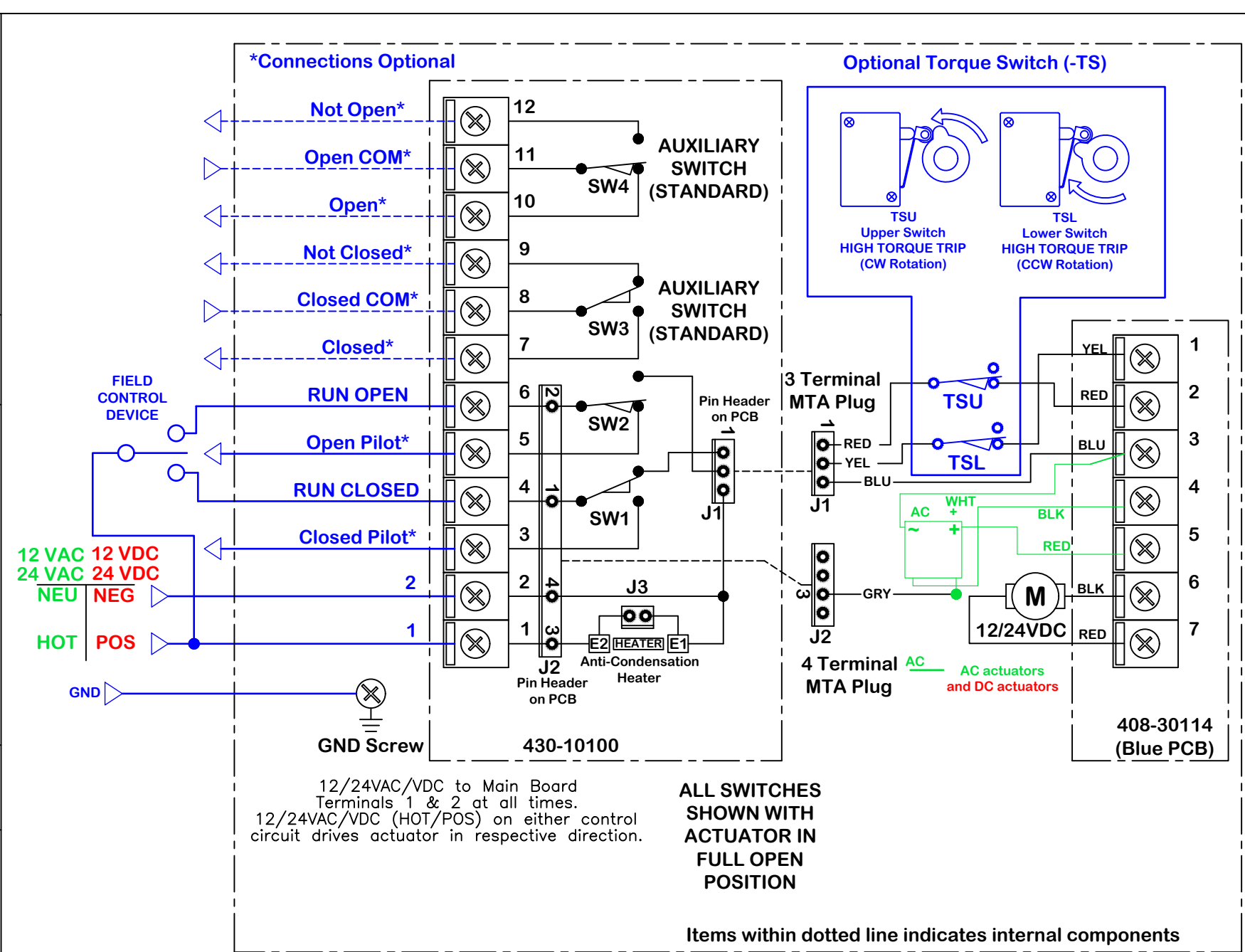


rev	change	date	revision	name	scale	material no	ind	Wiring Diagram
h	.	.	.	naming	dwg by:	Date		
g	.	.	.		BJW	4.23.2015		
f	.	.	.					
e	.	.	.					
d	01.13.20		P2-8					
c	06.23.17		Removed DC only wiring					
b	05.23.17		New WD Nomenclature, combine P2-8					
a	05.23.17		Replaces Serial WD 8	DWG				
ProMation Wiring Diagram for 2 position or Jog Control. P2~8 Series 12/24VAC/VDC Actuators, Positive Switched.					WD-850-MM101 C			
1/13/2020 1:06 PM					P:\C CAD Files\Factory Wiring Dwg\WD-All CAD Files\WD-850\P2~3 (2~8)			



Use For:

P2~8-12/24N4+ACDC(-TS)

Actuator ships in fully closed position!