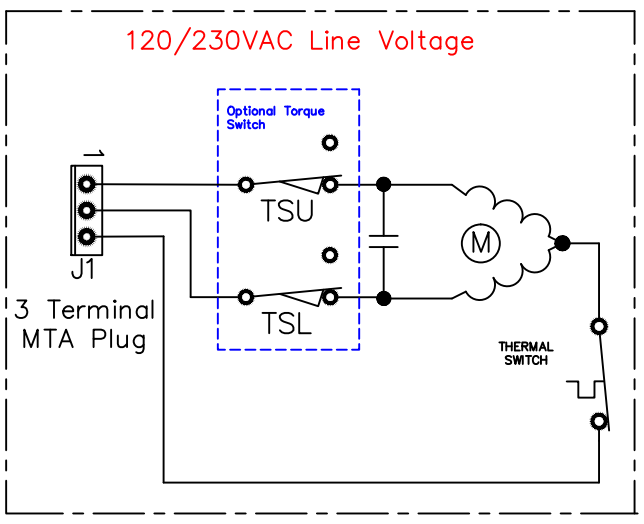
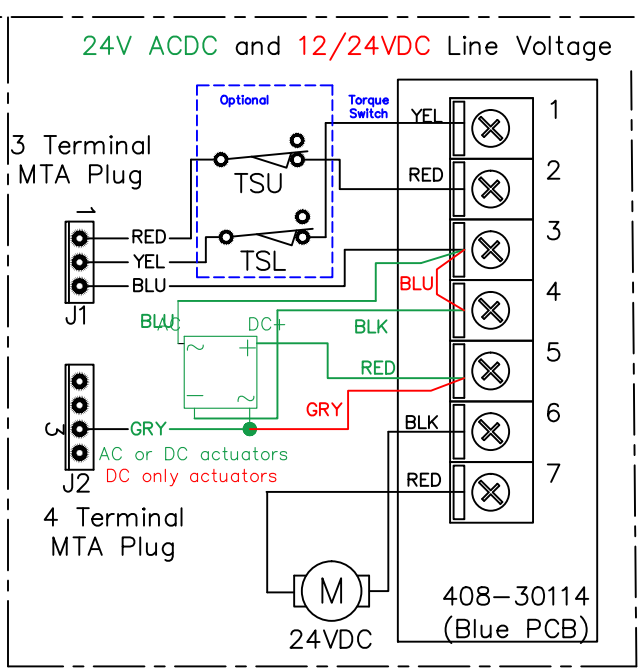
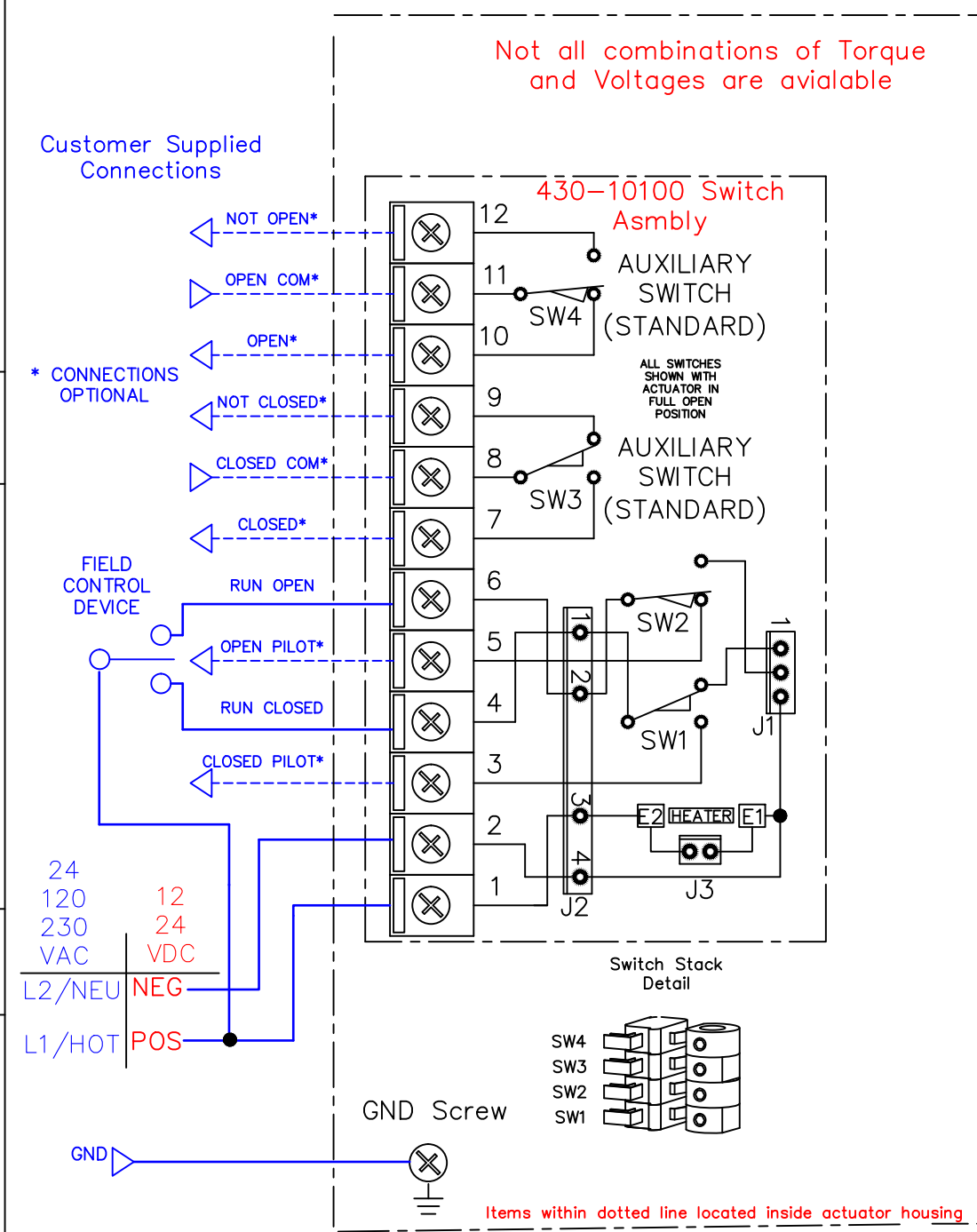


rev	change	date	revision	name	scale	dwg no	ind	Wiring Diagram
h	.			namring				
g								
f								
e								
d								
c								
b	06.07.24			REL. WIRE CLIP FROM MOTOR AND TSL AND TSU				
a	02.22.21			New WIP from MKR101, P4101 Replaces Servo WIP's				
name					PMR	MMK		
revision								
date					6/7/2024	2:37 PM		
name					ProMation			
revision								
date					6/7/2024	2:37 PM		
name					WD-850-00101			
revision								
date								
name					On/Off/Log WD for 24vdc/24/120/230vac P2 thru 13 N4 AND N7 actuators w/TS opt			
revision								
date								
name					WD-850-00101			
revision								
date								
name					REV			
revision								
date								



Actuator ships in fully closed position!