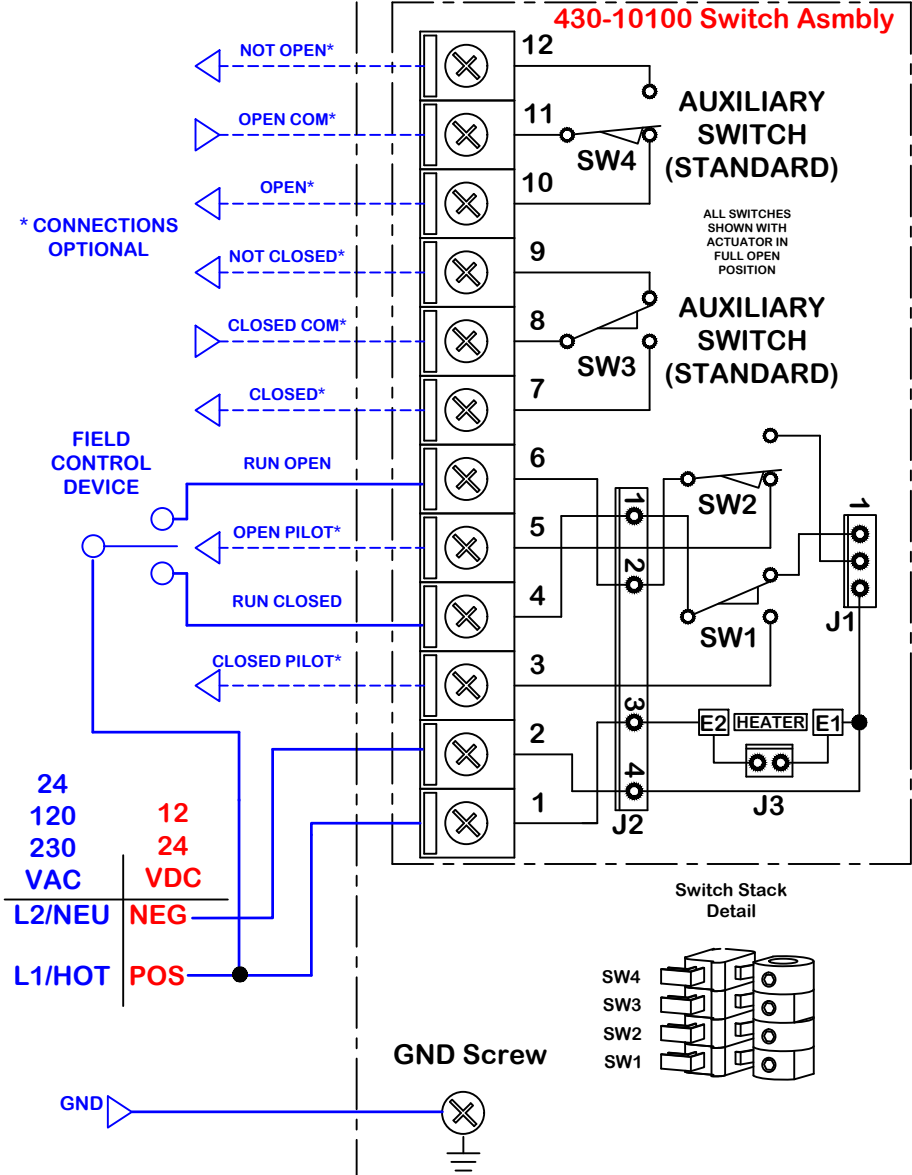


rev	change	name			dwg no		ind		Wiring Diagram	
h	02/22/21	g	PMR	8/9/2023	11:57 AM	WD-850-00101.dwg	ProMotion		On/Off/Log WD for 24vdc/24/120/230vac P2 thru 13 N4 AND N7 actuators w/TS opt	
f		e		d			8/9/2023		8/9/2023	
c		b		a			11:57 AM		11:57 AM	
d		c		b			11:57 AM		11:57 AM	
e		d		c			11:57 AM		11:57 AM	
f		e		d			11:57 AM		11:57 AM	
g		f		e			11:57 AM		11:57 AM	
h		g		f			11:57 AM		11:57 AM	

Customer Supplied Connections

Not all combinations of Torque and Voltages are available



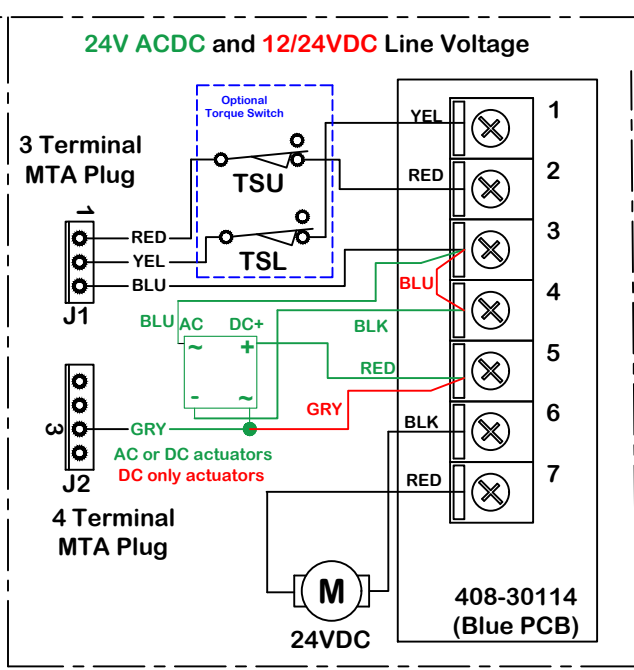
430-10100 Switch Assembly

AUXILIARY SWITCH (STANDARD)

AUXILIARY SWITCH (STANDARD)



Items within dotted line located inside actuator housing

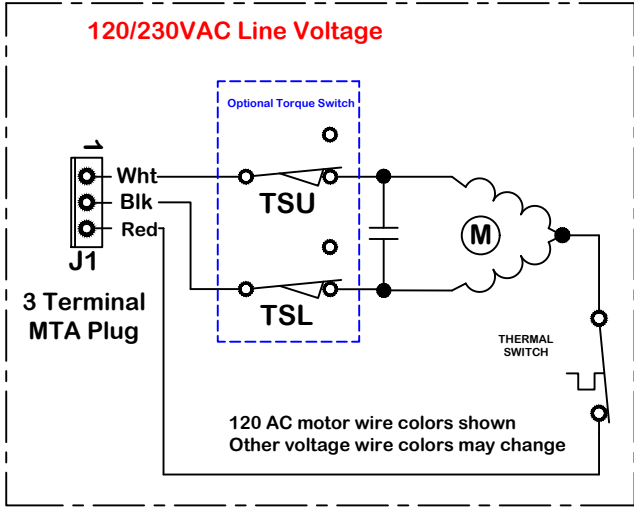


24V ACDC and 12/24VDC Line Voltage

3 Terminal MTA Plug

4 Terminal MTA Plug

408-30114 (Blue PCB)



120/230VAC Line Voltage

3 Terminal MTA Plug

120 AC motor wire colors shown
Other voltage wire colors may change

Actuator ships in fully closed position!

Use For:

P2-13 24(120)(230)N4(7)(+ACDC)-TS

This document is the property of ProMation Engineering, Inc. Distribution of this document without the written consent of the owner is strictly forbidden. Failure to comply will incur a liability for damages.

ProMation Engineering, Inc.
16138 Flight Path Drive
Brooksville, FL 34604
Ph:352-544-8436 Fx(352-544-8439)

WD-850-00101

ProMation

A