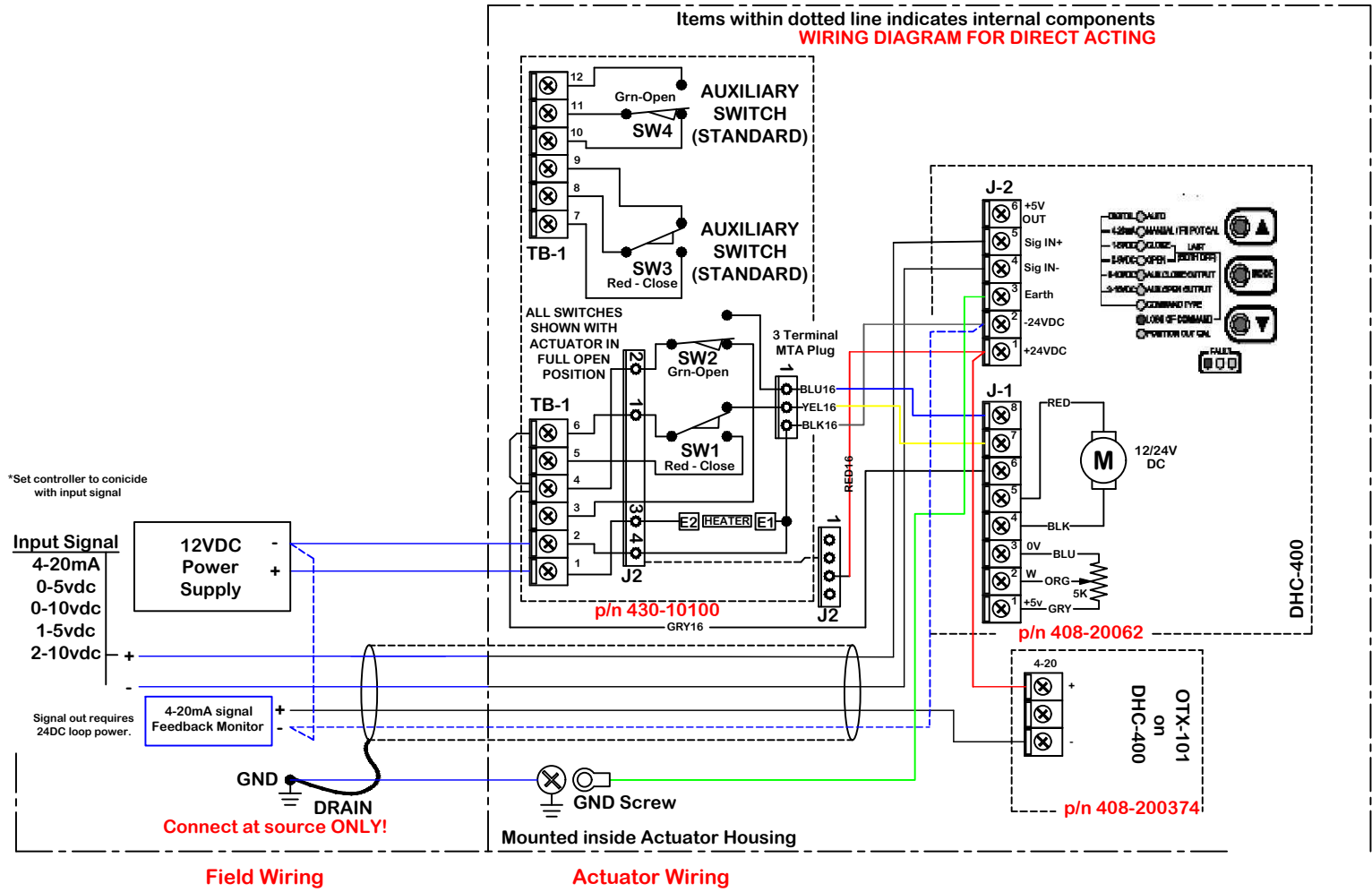


rev change		date		revision		name		10/25/2021 1:00 PM		WD-850-21201 RevA.dwg	
h		naming		dwn by:		Date		material no		Wiring Diagram	
g				PMR		01.12.21		ind		material	
f											
e				scale		NONE					
d											
c											
b				New Drawing from P201 with DHC 400 Controller							
a				10/26/21							
D				DHC							
C											
B											
A											



Use For:

**P2-3 -12PN4(7)-DC**

ProMation Engineering, Inc.  
16138 Flight Path Drive  
Brooksville, FL 34604  
Ph:352-544-8436 Fx:352-544-8439

This document is the property of ProMation Engineering, Inc.  
Distribution of this document without the written consent of the owner is strictly forbidden.  
Failure to comply will incur a liability for damages.