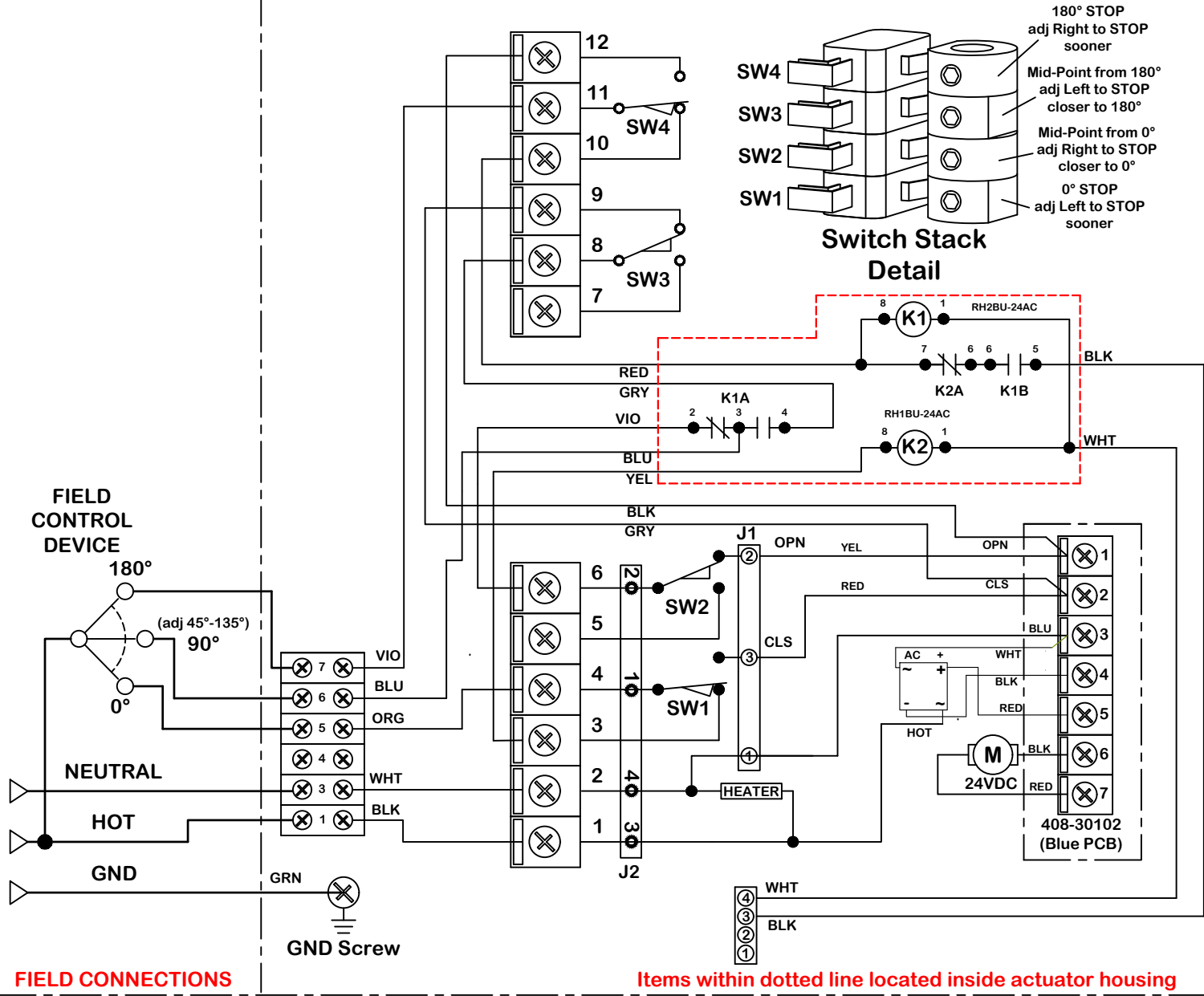


h	naming	
g	dwn by:	Date
f	BJW	8.12.2011
e	scale	NONE
d	material no	
c	ind	
b	material	
a	Wiring Diagram	
rev change date	revision	name
12.04.18	Edmed WD-850-23H01 and -23101	DUG
5/24/2019 11:03 AM	Promotion	
Wiring Diagram for 3 position Control. P2/3 Series 24VAC Actuators.		
WD-850-23H01		
REV	A	



Use For:

P2-8-24N4-AC 090180

This document is the property of ProMation Engineering, Inc. Distribution of this document without the written consent of the owner is strictly forbidden. Failure to comply will incur a liability for damages.