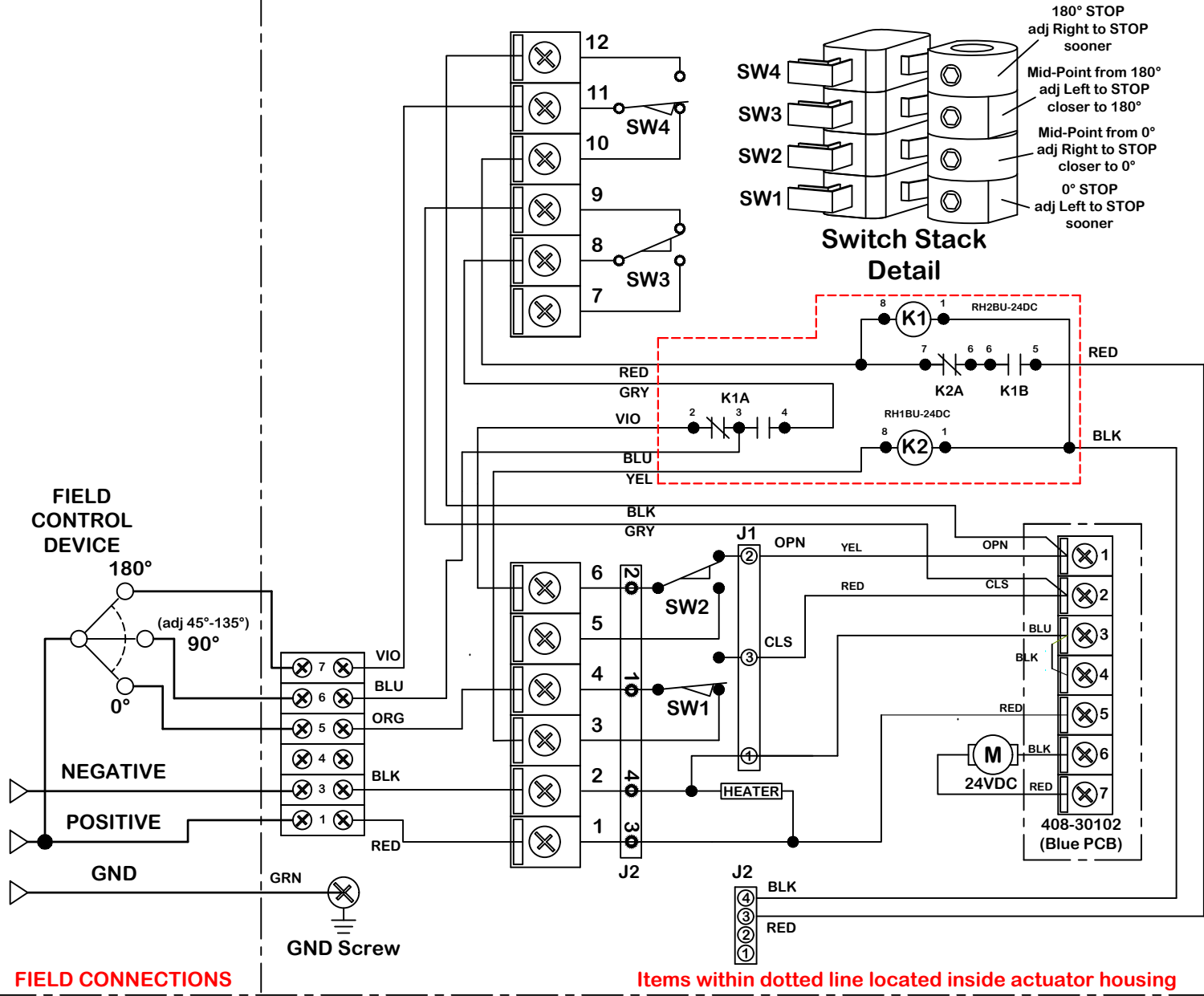


h	.	name	DWG	revision	12/4/2018	change date	12/04/18
g		dwg by:	BJW	revision	8.12.2011	change date	12/04/18
f		Date	8.12.2011	revision	8.12.2011	change date	12/04/18
e		scale	NONE	revision	8.12.2011	change date	12/04/18
d		material no		revision	8.12.2011	change date	12/04/18
c		ind		revision	8.12.2011	change date	12/04/18
b		material		revision	8.12.2011	change date	12/04/18
a		Wiring Diagram		revision	8.12.2011	change date	12/04/18
name		ProMation		12/4/2018 4:50 PM		WD-850-P3H01.dwg	
revision		ProMation		12/4/2018 4:50 PM		WD-850-P3H01.dwg	
change date		ProMation		12/4/2018 4:50 PM		WD-850-P3H01.dwg	



Remove and plug mechanical stops!

Use For:

P2/8-24N4+DC 090180

This document is the property of ProMation Engineering, Inc. Distribution of this document without the written consent of the owner is strictly forbidden. Failure to comply will incur a liability for damages.

WD-850-P3H01

ProMation