

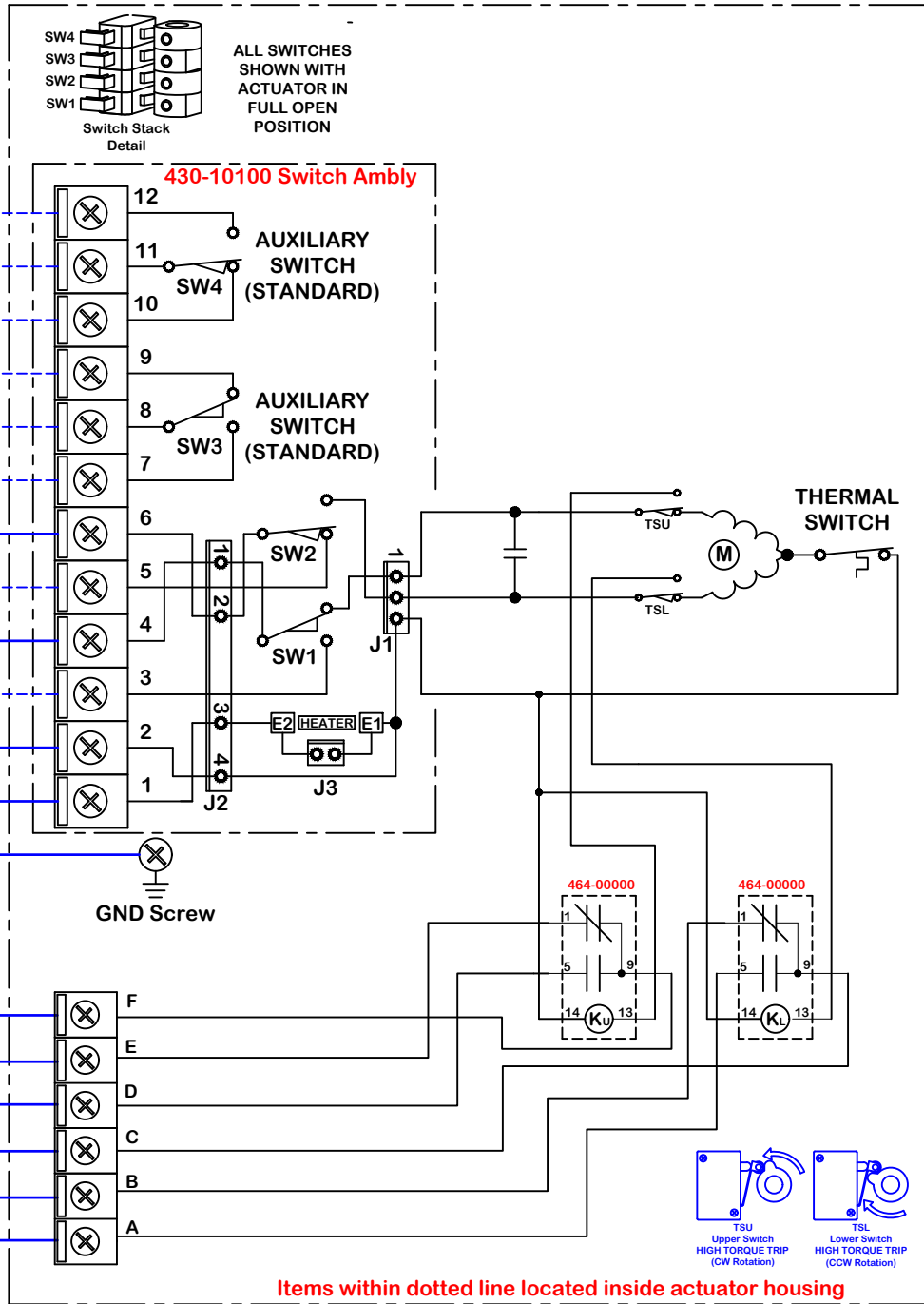
rev change		revision		name		6/30/2021 12:32 PM	
date		date		date		date	
d 06.30.21		from 464-00000 added TS indicator		dne			
c							
b							
a							
h		naming					
g		dwn by:		Date			
f		BJW		5.12.2015			
e		scale		NONE			
d		material no		ind		Wiring Diagram	
c		material					
b							
a							
h							
g							
f							
e							
d							
c							
b							
a							
REV							
A							
On/Off wiring diagram for 120vac							
P2 thru 8 N4 AND N7 actuators w/TS opt							
WD-850-P4101.dwg							

# WD-850-P4101

## Promotion

Use For:

# P2-8 -120N4/N7-TS Status



Actuator ships in fully closed position!

This document is the property of ProMation Engineering, Inc. Distribution of this document without the written consent of the owner is strictly forbidden. Failure to comply will incur a liability for damages.