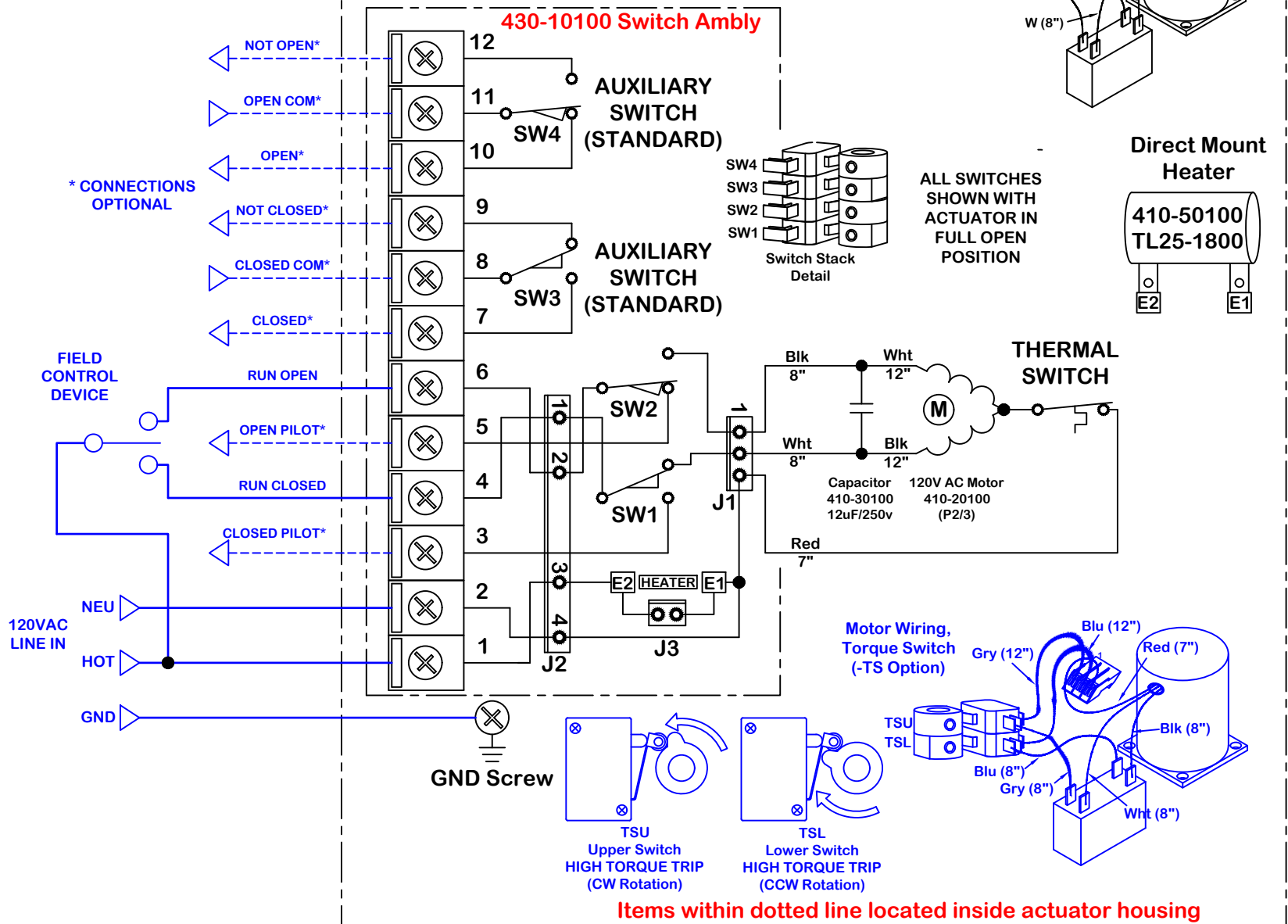


h	.	name	BJW	8/12/2021 12:04 PM	8/12/2021 12:04 PM	On/Off WD to drive CW to open for 120vac P2 thru 8 N4 AND N7 actuators w/TS opt	REV	A
g	.	dwn by:	5.12.2015					
f	.	Date						
e	.	scale	NONE					
d	.	material no						
c	.	ind						
b	.	Wiring Diagram						
a	.	material						
rev change	date	revision	name	date	time	description	rev	description
06.11.21		1	From RBG - EXISTING Standard Features 1 and 2 in J1 to drive CW to open	06				
naming								



**Actuator ships in fully closed position!**

Use For:

**P2-8 -120N4/N7 -CW (TS)**

This document is the property of ProMation Engineering, Inc. Distribution of this document without the written consent of the owner is strictly forbidden. Failure to comply will incur a liability for damages.