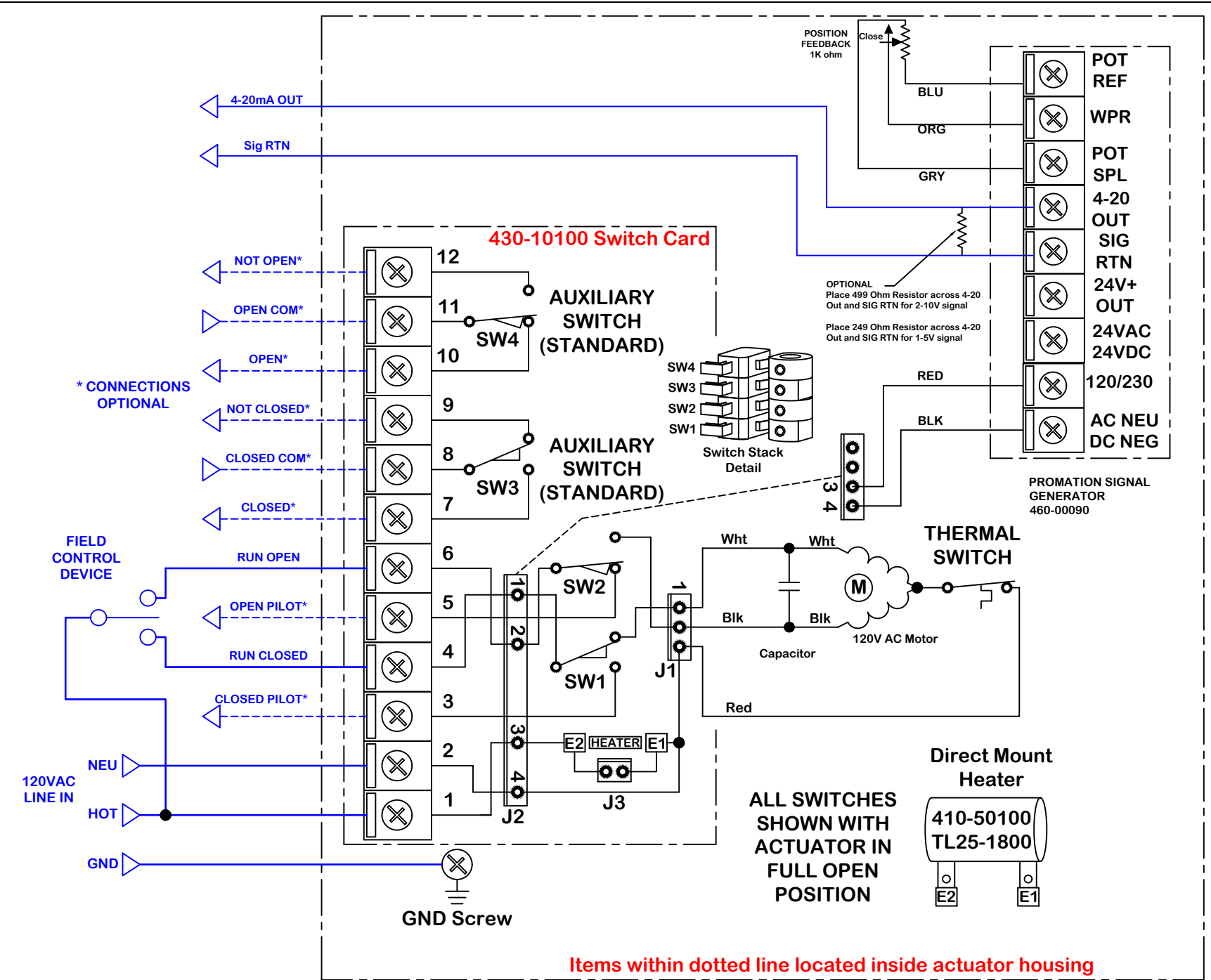


h	.	name	PKR	4/30/2020 5:49 PM	material no	ind	Wiring Diagram
g	.	revision	KHL				
f	.	rev change date	KHL				
e	.	name	KHL				
d	.	revision	KHL				
c	01/24/20	Added all terminals to gen board	PKR				
b	08/13/2013	Made into P2~P13 WD	KHL				
a	03/26/2013	New Document	KHL				
ProMation On/Off wiring diagram for 120vac P2~13 Series Actuators with 4-20mA Feedback WD-850-24161.dwg							
WD-850-24161							
REV C							



Actuator ships in fully closed position!

Use For:

P2~13-120N4 w/ 4-20mA FB

This document is the property of ProMation Engineering, Inc. Distribution of this document without the written consent of the owner is strictly forbidden. Failure to comply will incur a liability for damages.