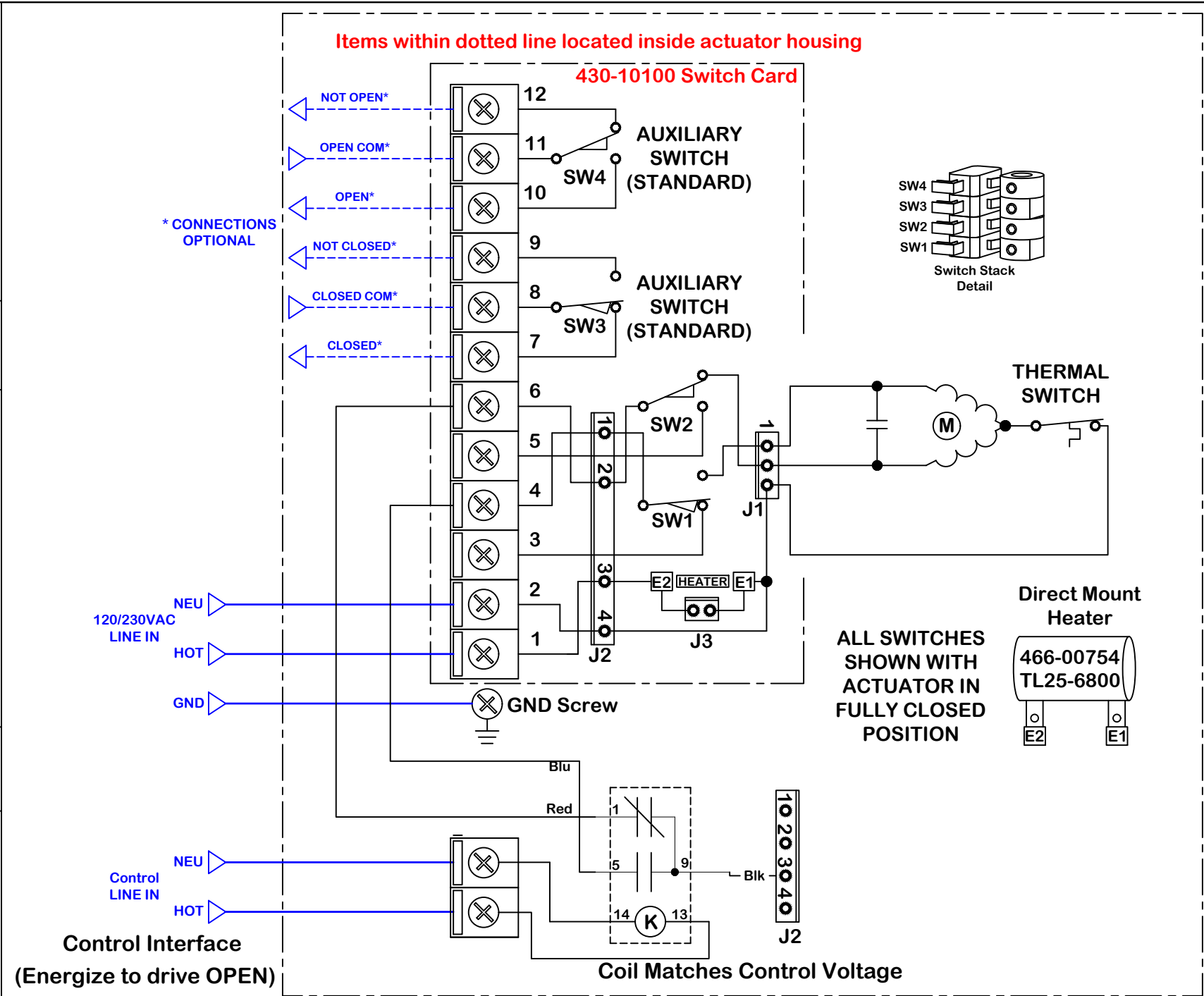


rev	change	date	name	revision	date	name	revision
c	06/28/21	06/28/21	DUG	derived from WP-850-23502.dwg Changed to P2-8, no board cut.			
d							
e							
f							
g							
h							
i							
j							
naming				material no			
dwg by: BJW				Date: 1.30.2014			
scale: NONE				ind			
Wiring Diagram				material			
<b>WD-850-P4501</b> Normally OPEN (Relay to Close) wiring diagram for 230vac P2/3 actuators.				<b>WD-850-P4501.dwg</b>			
REV <b>A</b>							



Use For:

**P2-8-120/230N4(7)-RO**

This document is the property of ProMation Engineering, Inc. Distribution of this document without the written consent of the owner is strictly forbidden. Failure to comply will incur a liability for damages.