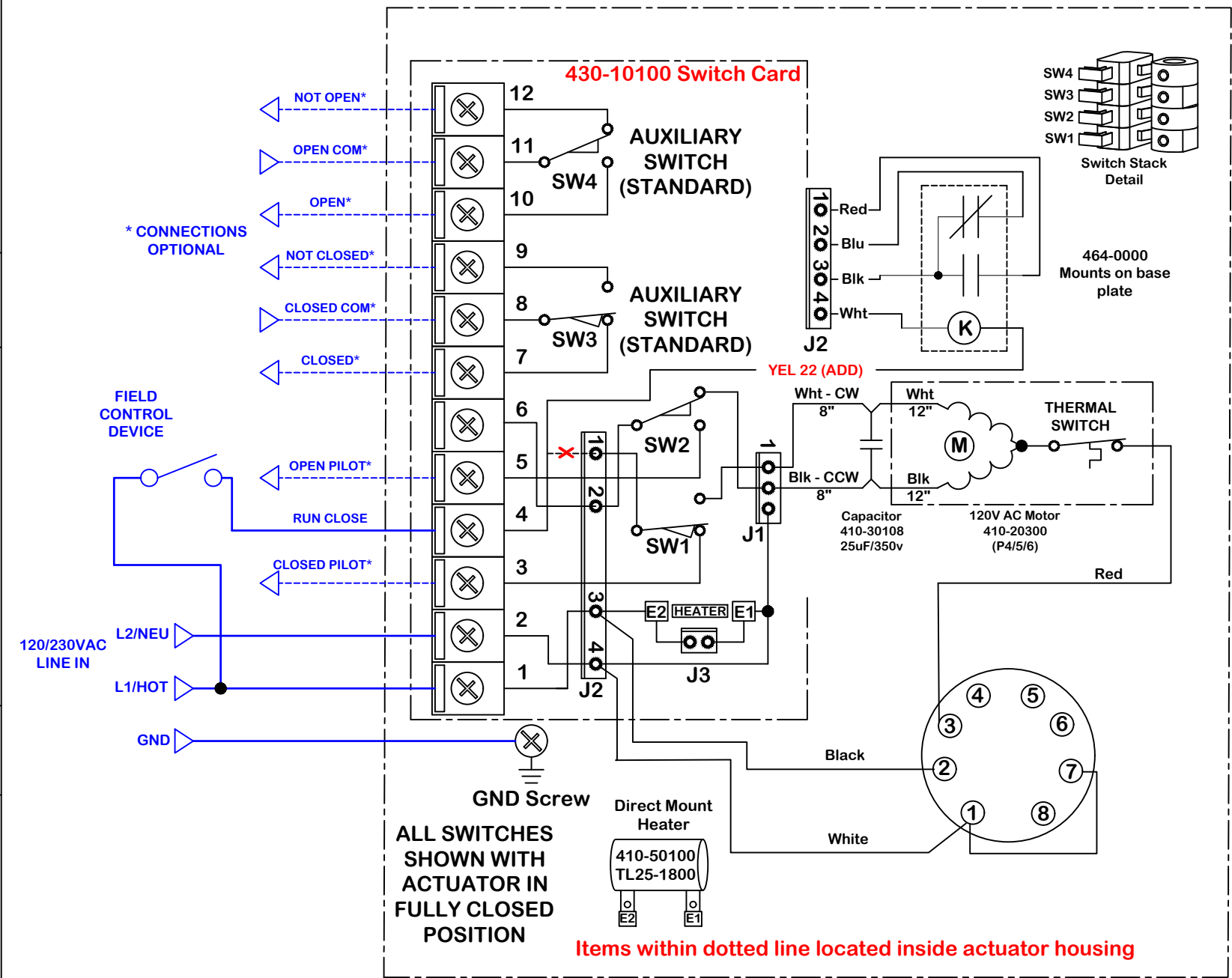


h	naming			
g	dwn by:	Date		
f	PMR	7.13.2020		
e	scale	NONE		
d	material no		ind	
c	material		Wiring Diagram	
b	material		material	
a	material		material	
rev change date	revision	name	7/14/2020 2:22 PM	
d	12.04.18	New from WD-850-P4522 = U		
c		PMR		
b				
a				
Promotion		Normally OPEN (Relay to Close) L1 Timer diagram for 120/230vac P2-13 actuators.		
WD-850-P4522.dwg		REV A		



X signifies a trace cut

Actuator ships in fully closed position!

Use for:

P2-13-120/230N4-RC-LI

This document is the property of ProMation Engineering, Inc. Distribution of this document without the written consent of the owner is strictly forbidden. Failure to comply will incur a liability for damages.