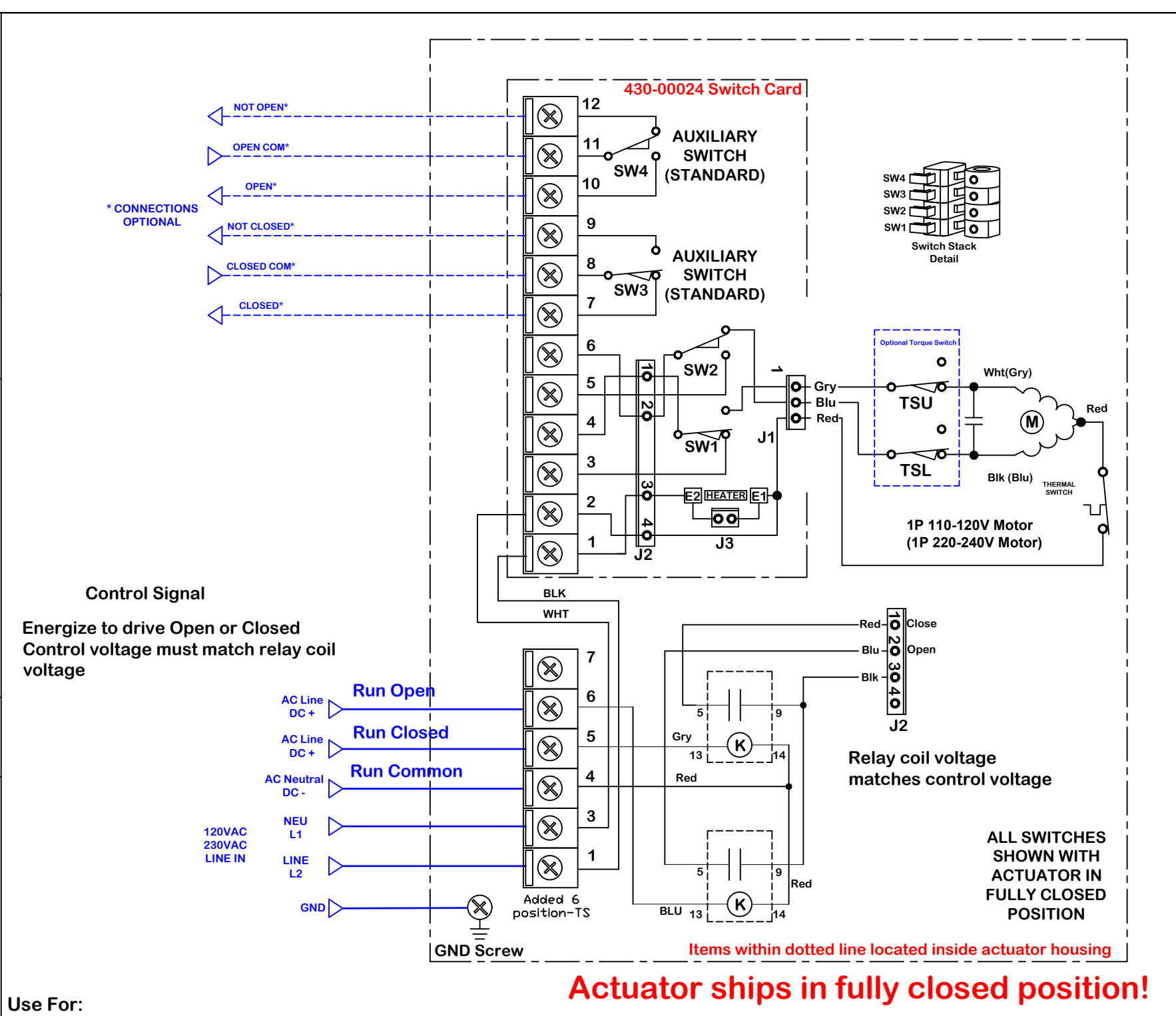


rev	change	revision	name	dwn by:	Date	material no	ind	Wiring Diagram
h	.							
g								
f	10.17.22							
e	09.20.22	Added terminal numbers for added TS Option	DJG					
d	03.02.22	Named P4S03 to P4S01 Removed Beitek wiring to match Beitek	DJG					
c	09.08.20	Changed to SPST Relays	DJG					
b	08.01.19	Generic to 24 or 120 control	DJG					
d	02.28.18	Added relay to 850-24S02	DJG					
naming				material				
none				none				
Promotion				WD-850-P4S01 F				
10/17/2022 1:01 PM				Non line voltage OPEN/CLOSE control for 120/230vac P2-13 actuators.				
REV				F				



Use For:

Dual Relay P213 DR SCADA

This document is the property of ProMation Engineering, Inc. Distribution of this document without the written consent of the owner is strictly forbidden. Failure to comply will incur a liability for damages.