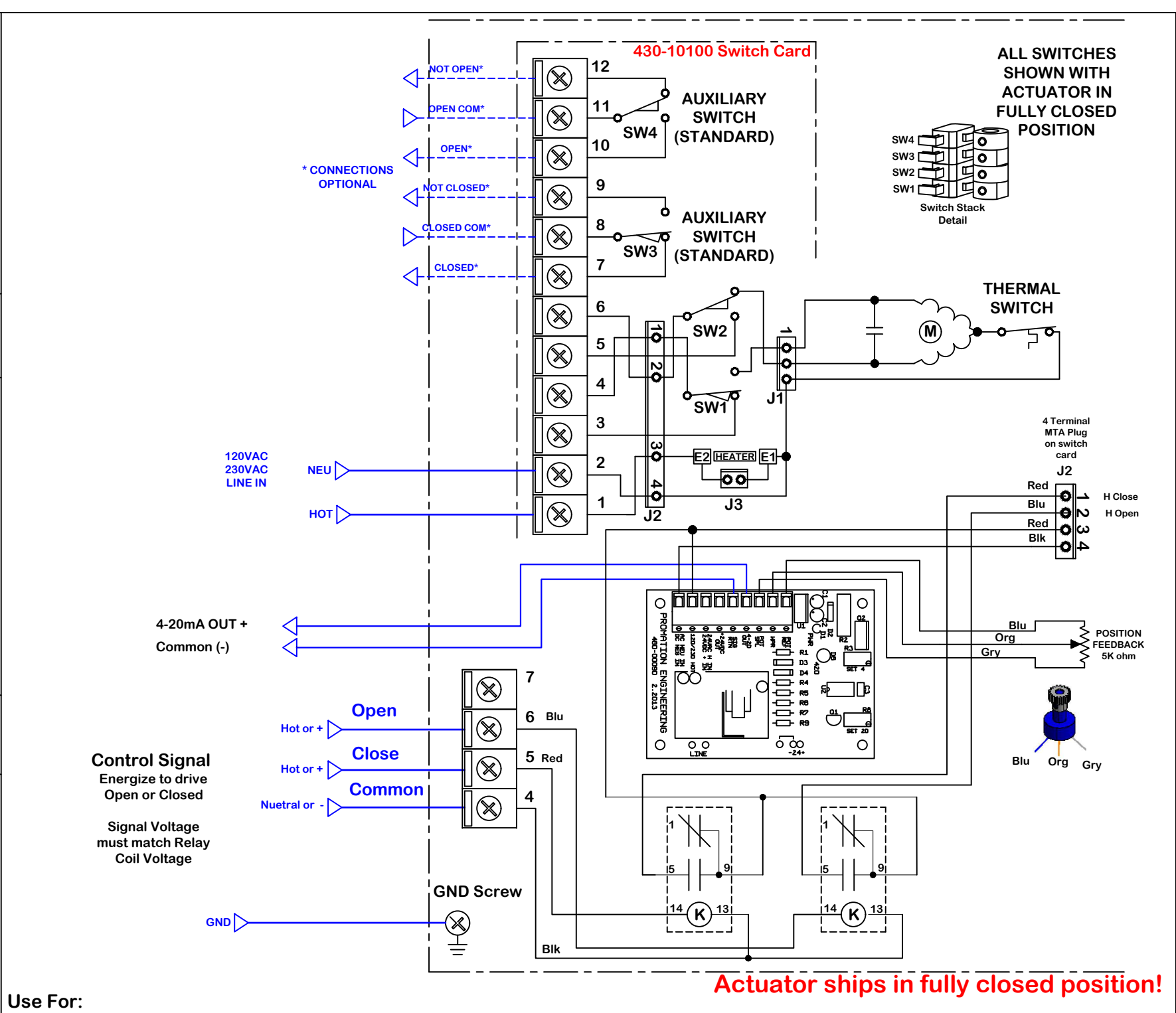


h	naming		material no		Wiring Diagram	
g	dwn by: BJW		Date: 1.30.2014		ind	
f	scale: NONE		material		material	
e	10.05.20 Added Signal Generator Illustration		WD-850-P4S03DRFB Ver C		REV	
d	08.01.19 Updated Wiring, added Pct Illustr		Non line voltage OPEN/CLOSE control for		C	
c	02.28.18 Added relay to 850-24S02		for 120/230vac P2-13 actuators.		REV	
b	revision		WD-850-P4S03DRFB Ver C.dwg		C	
a	change date		10/6/2020 11:59 AM		C	



Use For:

OPT-DRP213-W/4-20FB

This document is the property of ProMation Engineering, Inc. Distribution of this document without the written consent of the owner is strictly forbidden. Failure to comply will incur a liability for damages.

ProMation Engineering, Inc.
16138 Flight Path Drive
Brooksville, FL 34604
Ph:352-544-8436 Fx(352-544-8439)