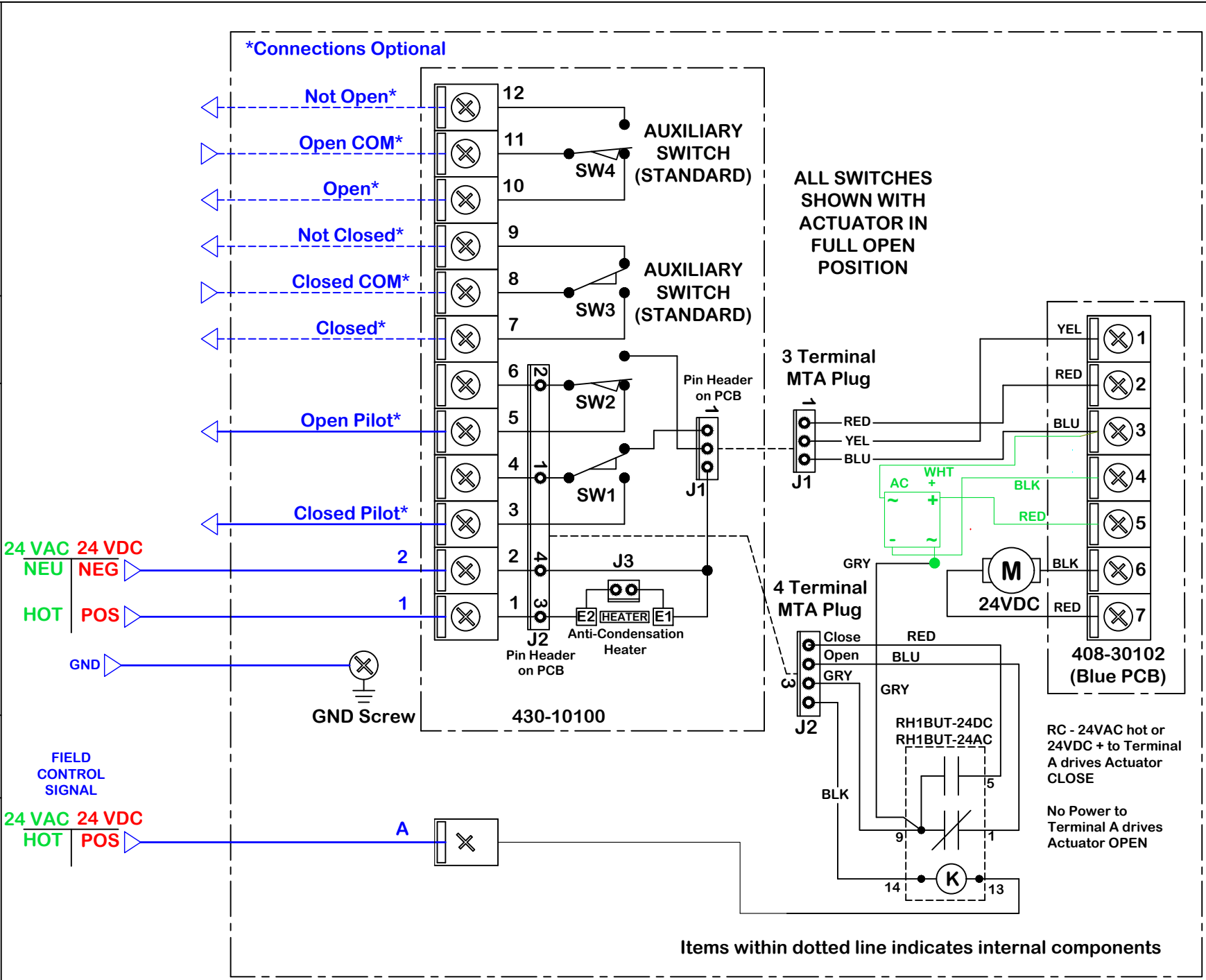


rev change date	revision	name	date	dwg by:	Date	material no	ind	Wiring Diagram
d	04.21.22	WD-850-PA502 A	10/31/2022 12:18 PM	BJW	4.23.2015			
e								
f								
g								
h								
naming								
material no								
ind								
Wiring Diagram								
scale								
NONE								
ProMotion								
Wiring Diagram for 2 position or Jog Control. P2/8 Series 24AC or VDC Actuators, Positive Switched.								
WD-850-PA502 A								
REV A								



Use For:

P2/8-24N(4,7)+AC(DC) - RC

Actuator ships in fully closed position!

This document is the property of ProMotion Engineering, Inc. Distribution of this document without the written consent of the owner is strictly forbidden. Failure to comply will incur a liability for damages.

ProMotion Engineering, Inc.
16138 Flight Path Drive
Brooksville, FL 34604
Ph:352-544-8436 Fx(352-544-8439)