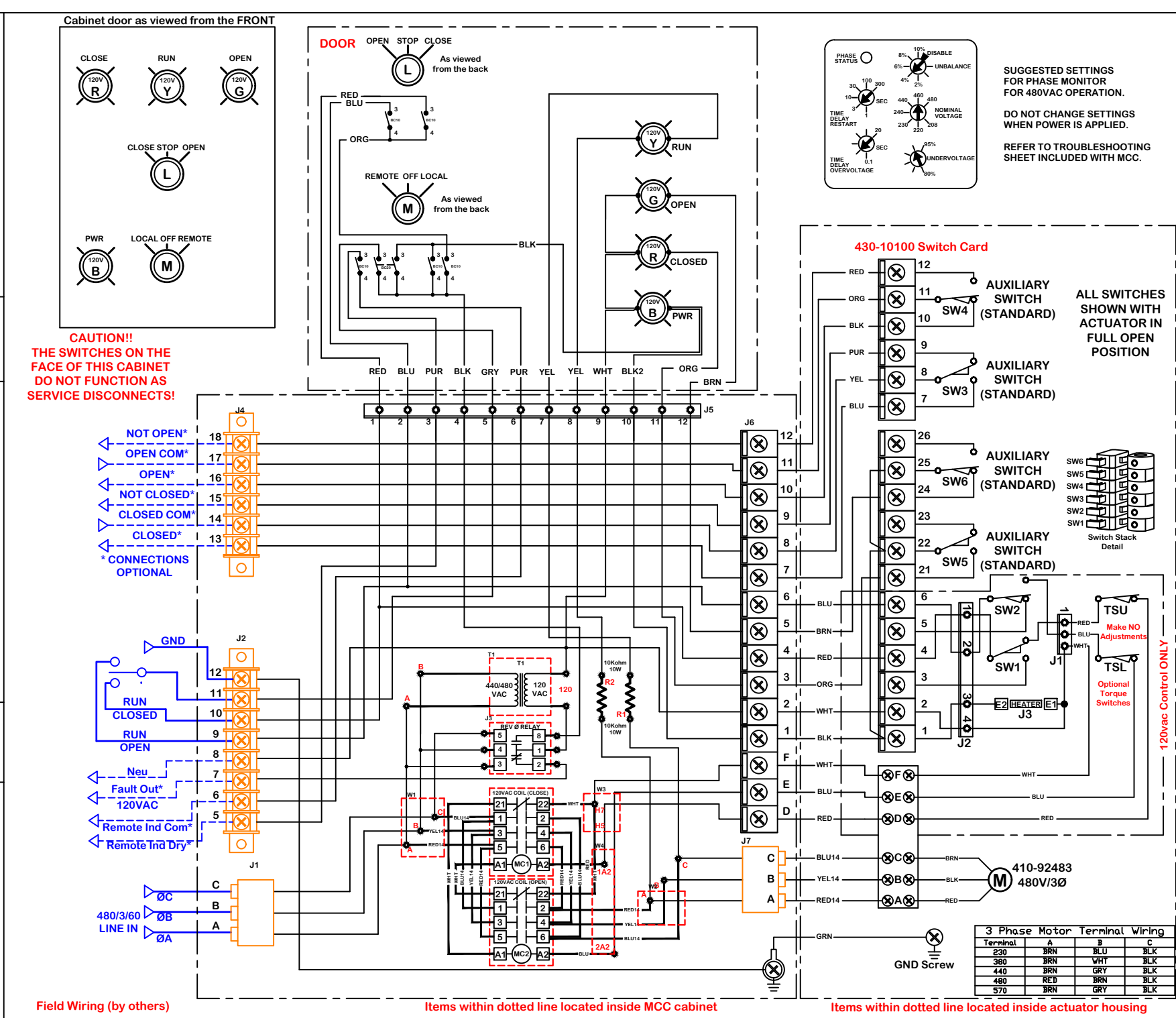


rev	change	date	revision	name	8/15/2023	4:03 PM
h				namring		
g				dwn by:	PMR	03.11.21
f				Date		
e				material no		
d				ind		
c				Wiring Diagram		
b				material		
a						
9						
8						
7						
6						
5						
4						
3						
2						
1						



P213 ALL/3/60 MCC-(TS)

This document is the property of ProMation Engineering, Inc. Distribution of this document without the written consent of the owner is strictly forbidden. Failure to comply will incur a liability for damages.