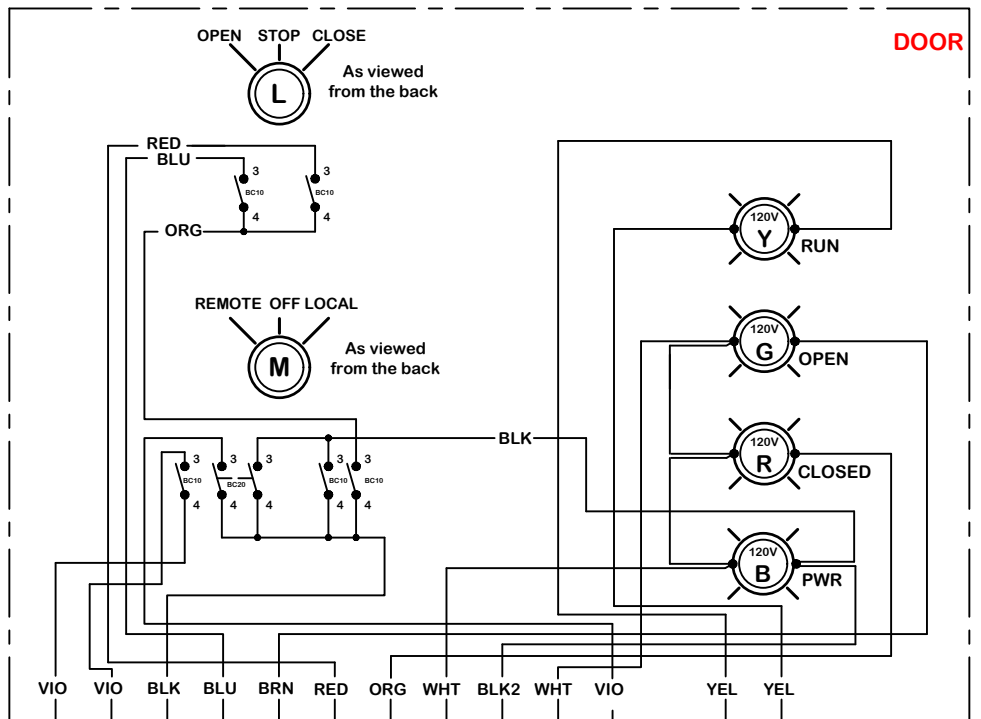
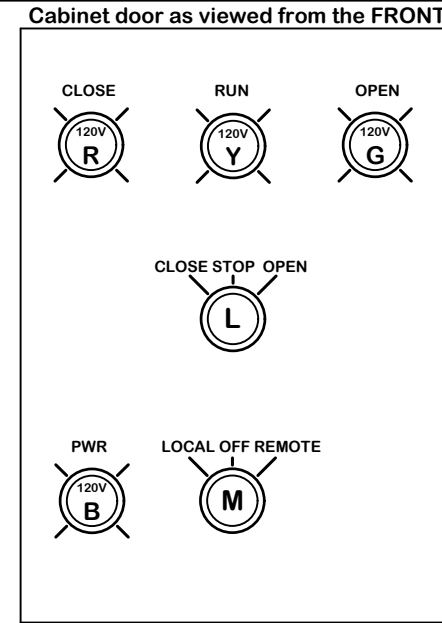


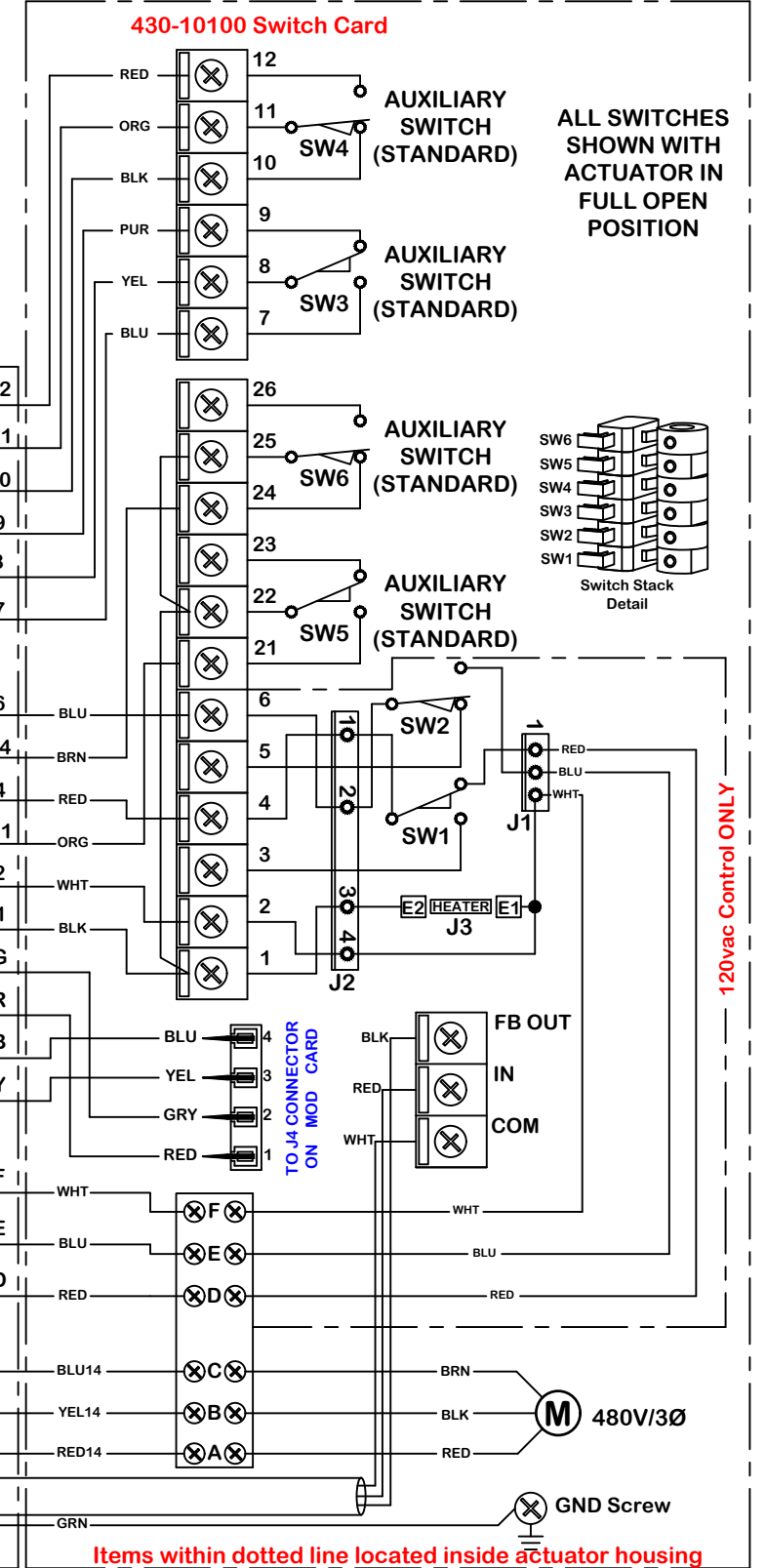
SUGGESTED SETTINGS FOR PHASE MONITOR FOR 480VAC OPERATION.

DO NOT CHANGE SETTINGS WHEN POWER IS APPLIED.

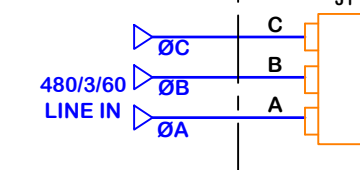
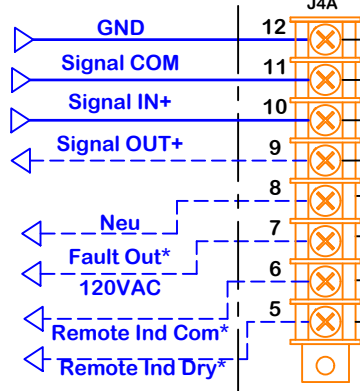
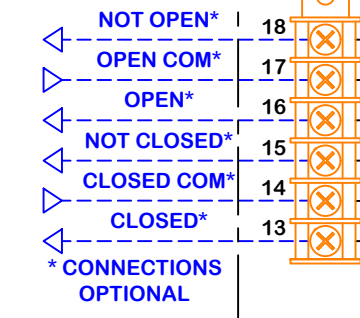
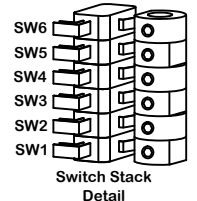
REFER TO TROUBLESHOOTING SHEET INCLUDED WITH MCC.



CAUTION!!
THE SWITCHES ON THE FACE OF THIS CABINET DO NOT FUNCTION AS SERVICE DISCONNECTS!



ALL SWITCHES SHOWN WITH ACTUATOR IN FULL OPEN POSITION



Field Wiring (by others)

Items within dotted line located inside MCC cabinet

Items within dotted line located inside actuator housing

rev	change date	revision	name	10/9/2023 10:16 AM
h	10.9.23	renumbered terminals to match RZ schematic. Added J7 4 pin indicators form PCB	DUG	down by: BJJW
g	08.09.23	Added terminal and wiring indicators form PCB	DUG	Date: 10.29.2013
f	10.15.21	corrected motor wire colors	DUG	material no
e	09.09.19	Added -P13/changed motor connections	PMR	ind
d	02.19.15	Edited WD number	KHL	material
c	02.05.15	Updated WD format and name	KHL	Wiring Diagram
b	11.21.13	Edited 4-pin connector wiring	KHL	
a	10.31.13	New Document	KHL	

ProMation

WD-858-28282 H

Motor Control Center 480/3/60 for P2~P13 Proportional Control MCC - Motor Control Center and LCS included

REV **H**

ProMation Engineering, Inc.
16138 Flight Path Drive
Brooksville, FL 34604
Ph:352-544-8436 Fx(352-544-8439)

P2~P13-480/3/60 PN4-MCC

This document is the property of ProMation Engineering, Inc. Distribution of this document without the written consent of the owner is strictly forbidden. Failure to comply will incur a liability for damages.