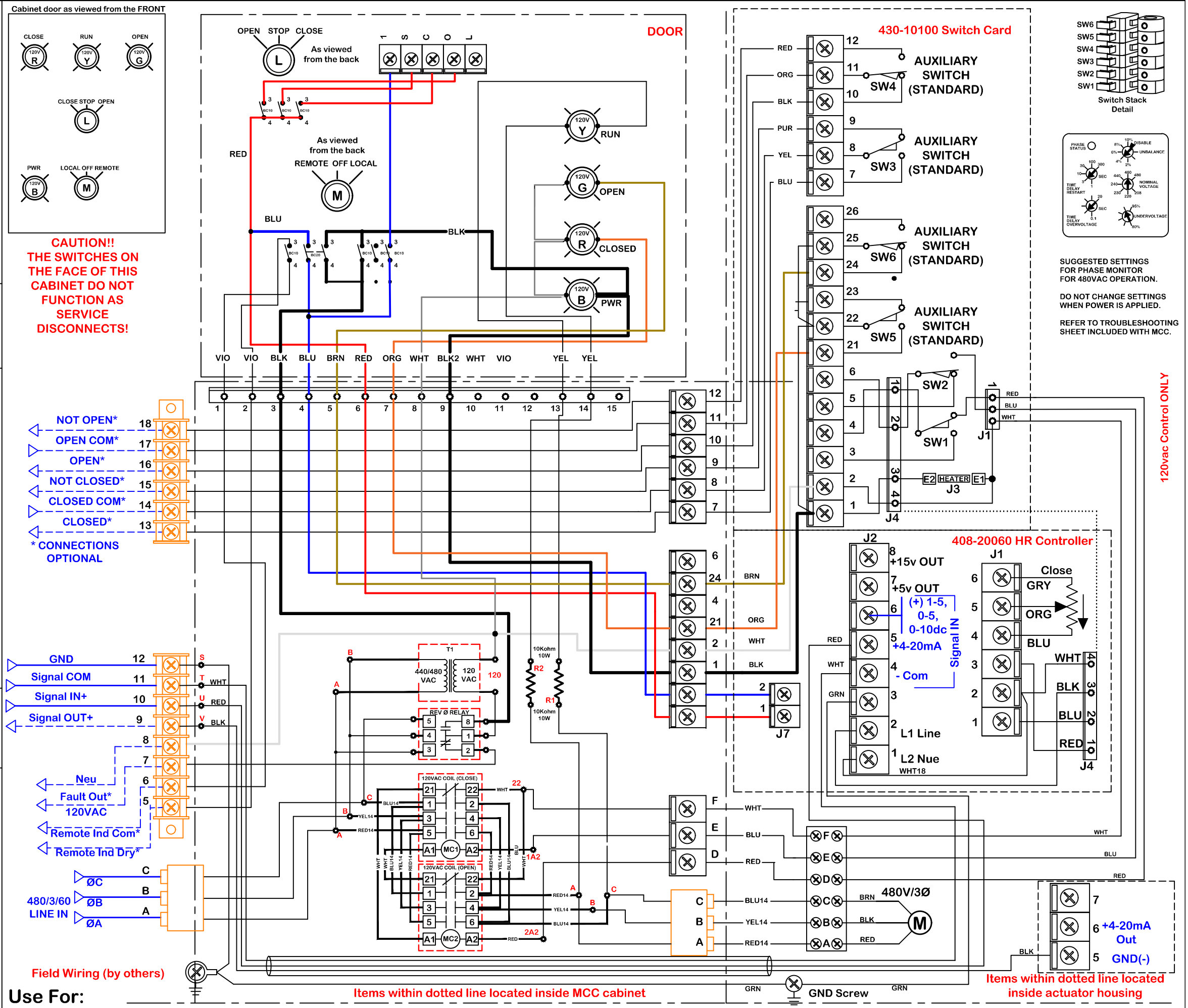


rev	change date	revision	name	8/1/2023 11:44 AM	ProMation	P:\CAD Files\Factory Wiring Dwg-WD-All CAD Files\WD-858
h	07.31.23	New from WD-858-28282 F w/HR Proportional	KHL		Motor Control Center 480/3/60 for P2~P13 Proportional Control MCC - Motor Control Center and LCS included	
g						
f						
e						
d						
c						
b						
a						

material no	ind	Wiring Diagram
scale	DATE	BY
NONE	10.29.2013	BJW

WD-858-28286 A

ProMation



Use For: **P2~P13-48(6)0/3/60 PN4-MCC**

Items within dotted line located inside MCC cabinet

Items within dotted line located inside actuator housing