

rev	change date	revision	name	10/9/2023 10:15 AM	material no	ind	material	Wiring Diagram
h			down by:	Date				
g			BJW	10.29.2013				
f								
e			scale					
d			NONE					
c	10.9.23		Renumbered terminals to match R2 schematic. Added J7 4 pin					
b	08.02.23		Removed extraneous outside connections for Modbus					
a	08.02.23		Revised from WD-858-28290B Removed extraneous Modbus Wires					

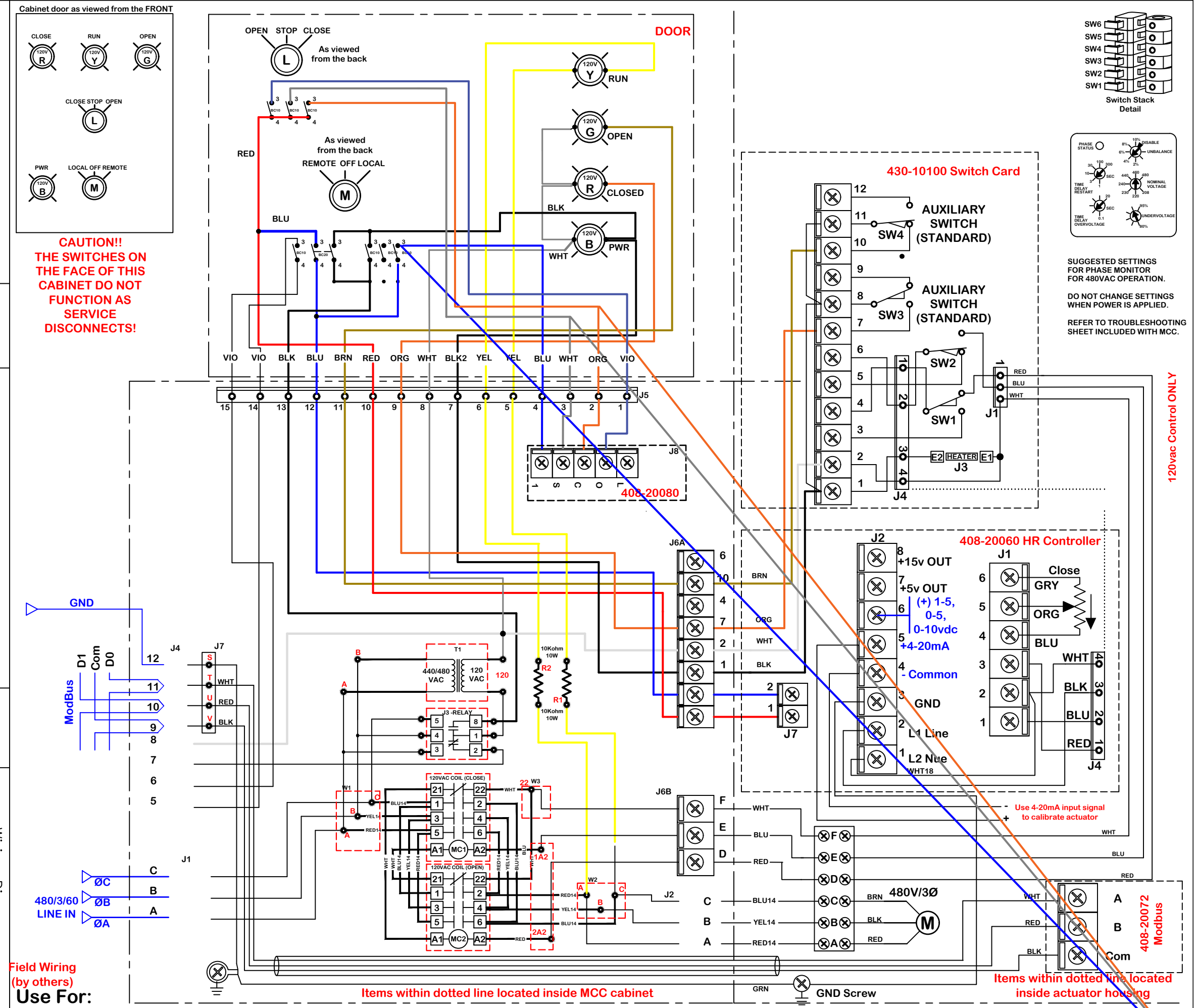
ProMation

WD-858-28292 C

Motor Control Center 480/3/60 for P2~P13
Proportional Control with Modbus
MCC - Motor Control Center and LCS included

REV **C**

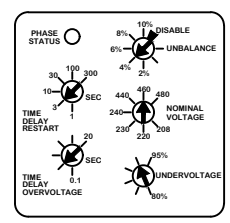
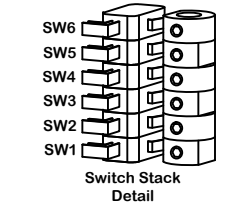
ProMation Engineering, Inc.
16138 Flight Path Drive
Brooksville, FL 34604
Ph:352-544-8436 Fx(352-544-8439)



Field Wiring (by others)
Use For:

P2~P13-480/3/60 MN4-MCC no extra wiring

This document is the property of ProMation Engineering, Inc. Distribution of this document without the written consent of the owner is strictly forbidden. Failure to comply will incur a liability for damages.



SUGGESTED SETTINGS FOR PHASE MONITOR FOR 480VAC OPERATION.
DO NOT CHANGE SETTINGS WHEN POWER IS APPLIED.
REFER TO TROUBLESHOOTING SHEET INCLUDED WITH MCC.

120vac Control ONLY

Items within dotted line located inside actuator housing