

rev	change date	revision	name	date	material no	ind	material
d	11.23.21	New Doc from 858-48182 Added 4-20 Feedback	DJG	10.10.2012			
h				down by:			
g				BJW			
f							
e							
d							
c							
b							
a							

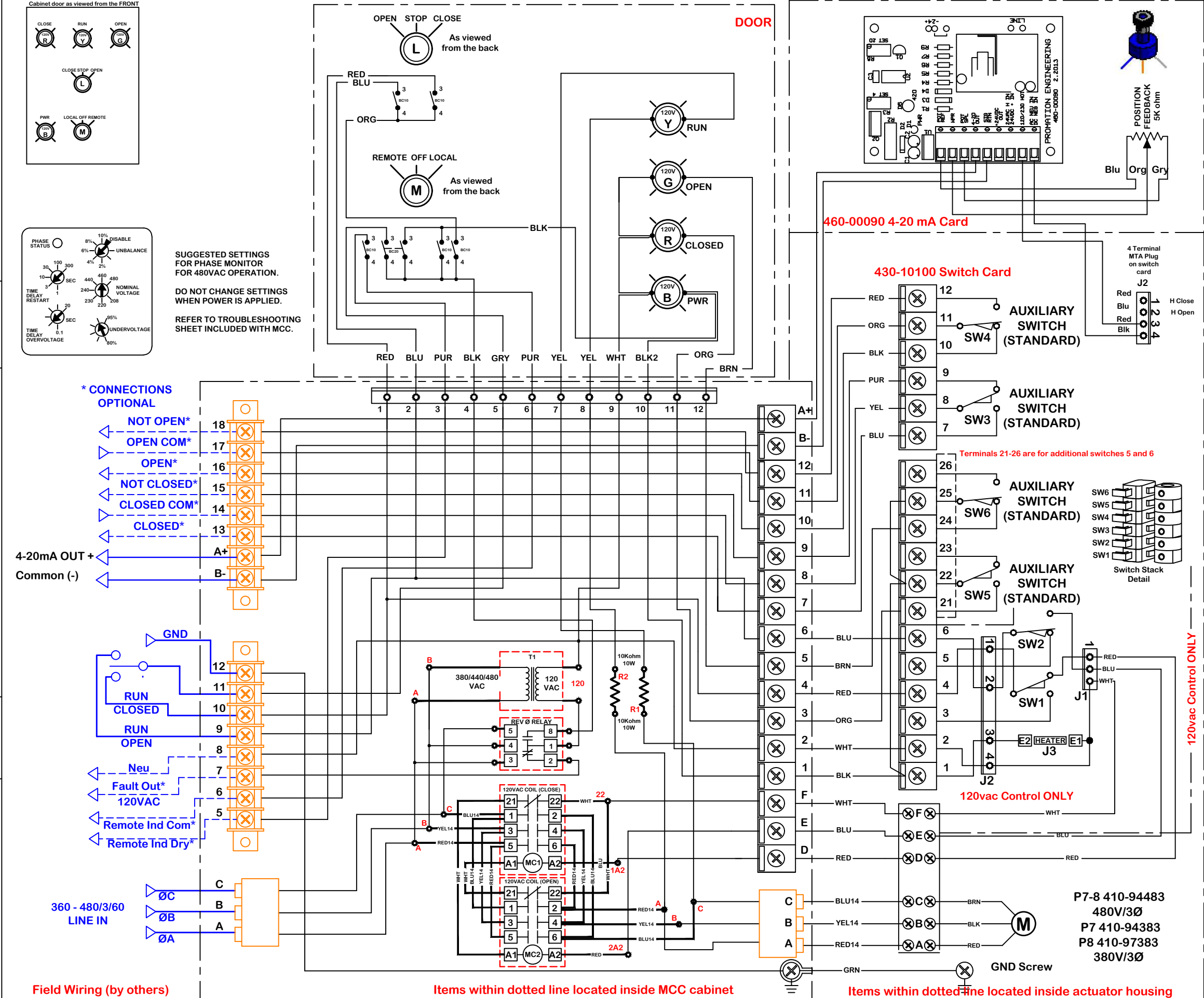
**ProMation**

Motor Control Center 360-480/3/60 for P2~P8  
On/Off/Jog Control with 4-20 feedback

REV **A**

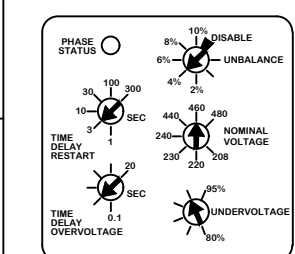
**WD-858-P8183 A**

Scale: NONE  
Date: 10.10.2012  
Material: ind

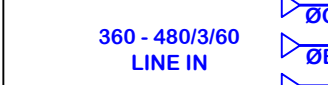
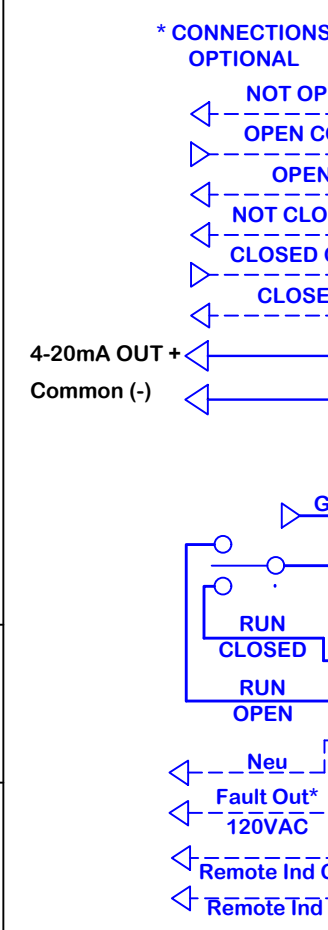


Use For:

**P2-8 360 - 480/3/60 MCC**



SUGGESTED SETTINGS FOR PHASE MONITOR FOR 480VAC OPERATION.  
DO NOT CHANGE SETTINGS WHEN POWER IS APPLIED.  
REFER TO TROUBLESHOOTING SHEET INCLUDED WITH MCC.



Field Wiring (by others)

Items within dotted line located inside MCC cabinet

Items within dotted line located inside actuator housing