

PROMATION ENGINEERING

Precision Actuation for Industry

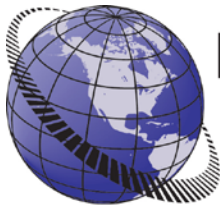
Installation & Operation Manual

This IOM is for the following
ProMation Engineering Products:

P1-120PN4-180

P1-230PN4-180





**PROMATION
ENGINEERING**

Precision Actuation for Industry

**Field Manual
P1- Series HV
Standard Proportional
Control (0-180° Rotation)
ISO5211 F03/05 8P14**



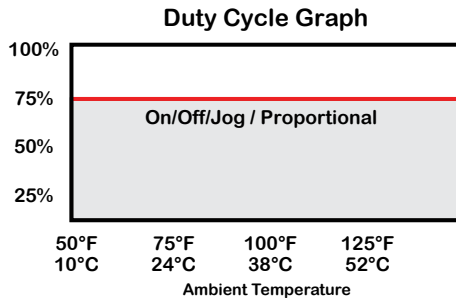
Table of Contents

2 Product Specifications
 3 Shipping and Handling
 3 Product Mounting and Setup
 3 Installation Notes
 4 Wiring Diagram
 5 Layout of Controller
 6 Check End of Travel Settings
 7 Adjusting CCW and CW positions (Cam adjustment)
 8 Adjusting Auxiliary Switches
 9 Mechanical Data
 10 Mechanical Data
 11 Commissioning
 12 Calibration Procedure

FM_P1 HV PN4(180) Ver L 052316

Product Specifications

Actuator Specifications	P1	
Torque "lb/Nm	300"lbs/35Nm	
Supply Voltage	120vac	230vac
Max Inrush Current	0.6A	0.4A
Running Current	0.6A	0.3A
Motor	DC Brush Type	
Runtime (90°@60Hz/vdc)	12 sec	
Runtime (90°@50Hz)	13 sec	
Duty Cycle	75% Maximum	
Motor Starts	1200 per hour	
Weight	5lbs/3kg	
Mechanical Connections	ISO5211 F03/F05 8pt 14mm	
Electrical Entry	(2) 1/2" NPT	
Electrical Terminations	14-18ga	
Environmental Rating	NEMA 4/4X	
Manual Override	8mm Socket Drive	
Control	Proportional	
Actuator Case Material	Aluminum Alloy, Powder coated	
Motor Protection	230°F/110°C Thermal F* Class *Totally Enclosed Non-Ventilated Motors	
Ambient Temperature	-22°F to +125°F	
Operating Range	-30°C to +52°C	



Introduction

This document provides necessary information for set-up, calibration, testing and use of the P Series half-turn electric actuators stated on the cover page. Each unit is shipped from the factory with initial calibration of cams and switches completed for 0-180 degree operation. However, these are general settings and serve as a starting point for proper calibration of the actuator in its real-world application.

Safety

Safety is a basic factor any time you maintain and operate mechanical equipment. Appropriate handling methods and proper use of tools and clothes can help prevent serious accidents -- accidents which can cause injuries to you or a fellow worker. This manual was created to enable a trained user to install, adjust and troubleshoot your ProMation actuator.

Only competent and trained personnel should install, maintain and operate ProMation Actuators. Any work related to this actuator must be carried out in accordance with this manual and related codes and regulations. Local workplace health and safety rules should always be followed.

Duty cycle

Duty cycle is the percent of time that an actuator spends running as a fraction of the total time. Duty Cycle is directly related to heat; excessively repositioning an actuator typically results in motor overheating which can cause permanent damage and/or reduced service life.

Duty cycle can be calculated as follows:

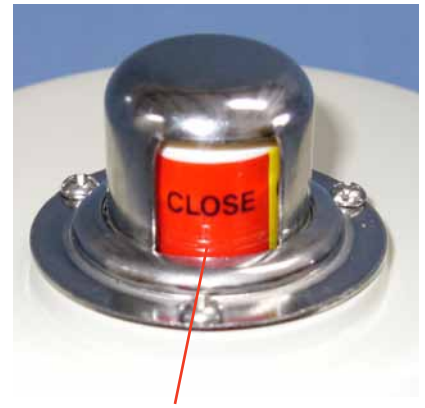
(example P2 series actuator running 3 seconds ON and 30 seconds OFF)

Runtime = 3s, Total time = 3s + 30s = 33s, therefore this duty cycle would be 9% (3/33)

Additionally, ProMation P series actuators are designed for a maximum of 1200 starts per hour (one start every 3 seconds maximum).

Shipping and Handling

1. This actuator is shipped in the FULLY CW (position indicator shows "CLOSE") position.
2. **NOTE, THIS ACTUATOR MUST HAVE WATER TIGHT EMT FITTINGS, WITH CONDUIT DRAINAGE INSTALLED AND POWER SUPPLIED TO UNIT TO KEEP THE HEATER WARM AT THE TIME OF INSTALLATION.**
3. **Storage: This unit should NOT be stored outside unless it is powered up and has proper conduit terminations. When NOT powered up, it should be stored in a clean, dry environment at all times.**
4. This actuator has been **factory calibrated to operate between 0 degrees and 180 degrees. Most quarter-turn products will not require recalibration of these settings.** If any travel adjustment is necessary, please refer to pages 7 & 8 for instructions.
5. **The actuator CANNOT operate with a rotation greater than 180 degrees.**



The actuator is shipped from the factory in its fully CW position. The top illustration shows Red for CW, Yellow for CCW.

Product Mounting and Setup

1. Fully CLOSE the valve or damper to which the actuator is to be mounted.
 - Keep in mind this actuator rotates CW (as viewed from above the unit) when driving CLOSED.
2. Assemble necessary linkage components and attach the actuator to the driven device.
3. Tighten mounting bolts, making sure actuator is centered on the device drive shaft.
4. Utilize the manual override (8mm hex output drive on bottom of actuator) to check for unobstructed manual operation from fully CW to fully CCW positions BEFORE applying power to the unit.

Warning: DO NOT operate manual override when power is present. Geartrain damage and personal injury may occur.

Do not use powered tools to turn the manual override -- it will DAMAGE the gear train or motor and VOID the warranty.

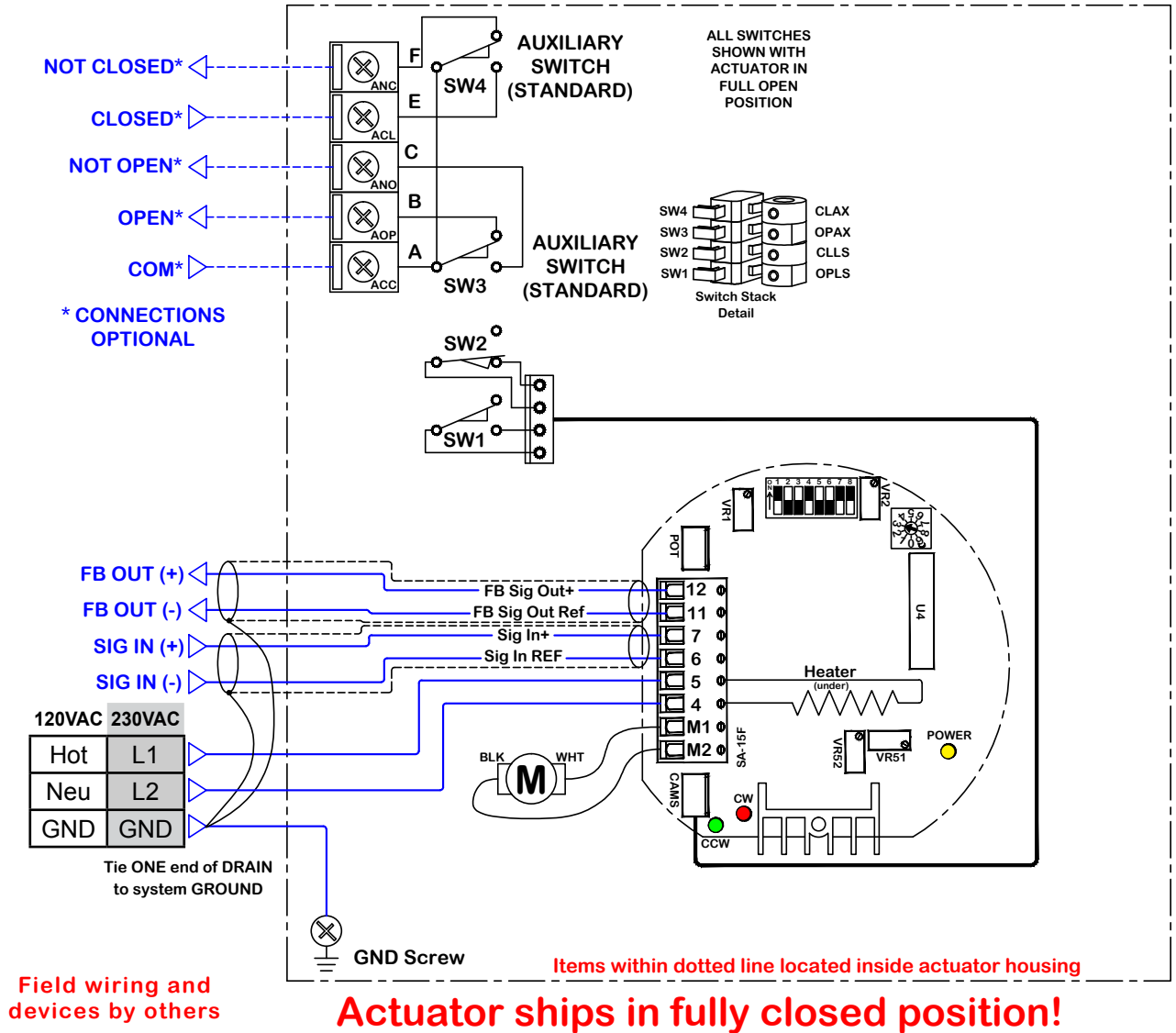
5. Make the electrical connections per wiring diagram on page 4.
 - Connect HOT and NEUTRAL to terminals marked 5 & 4 respectively.
 - Actuator accepts a 4-20mA, 2-10VDC, or 1-5VDC signal.
 - Connect control wires to the control card terminals marked 6 (COM) and 7 (+IN). The positive wire MUST connect to terminal 7 or the controller will not function.
 - Wires may be connected to terminals marked 11 (COM) and 12 (+OUT) for remote position indication.
 - Terminals A-F on the switch card are for the (adjustable) aux switches. They are dry type Form C rated 3A @ 250vac MAX.
 - The drain wire on the signal cables must be grounded at ONE END ONLY! (Preferably at the supply end).
6. Do NOT apply power at this time.

Installation Notes

- There are no mechanical stops on this model.
- These actuators are designed to be used between a horizontal and upright position. Do NOT mount the assembly with the actuator top below a horizontal position.
- When installing conduit, use proper techniques for entry into the actuator. Use drip loops to prevent conduit condensate from entering the actuator.
- Both NPT conduit ports MUST use proper equipment to protect the NEMA 4X integrity of the housing.
- The internal heater is to be used in ALL applications.
- Do NOT install the actuator outdoors or in humid environments unless it is powered up and the heater is functioning.
- Use proper wire size to prevent actuator failure (see chart on page 4 for proper wire sizing).
- All terminals accept 14-18AWG solid/stranded wire.

Wiring Diagram

Proportional Control



The default settings in the controller are as follows:

1. Input/Output Signal: 4-20mA (unless otherwise specified at time of Factory order)
2. Signal Response: Direct Acting (max signal = CCW)
3. Loss of Signal: Fail in Position

Wire Sizing Chart

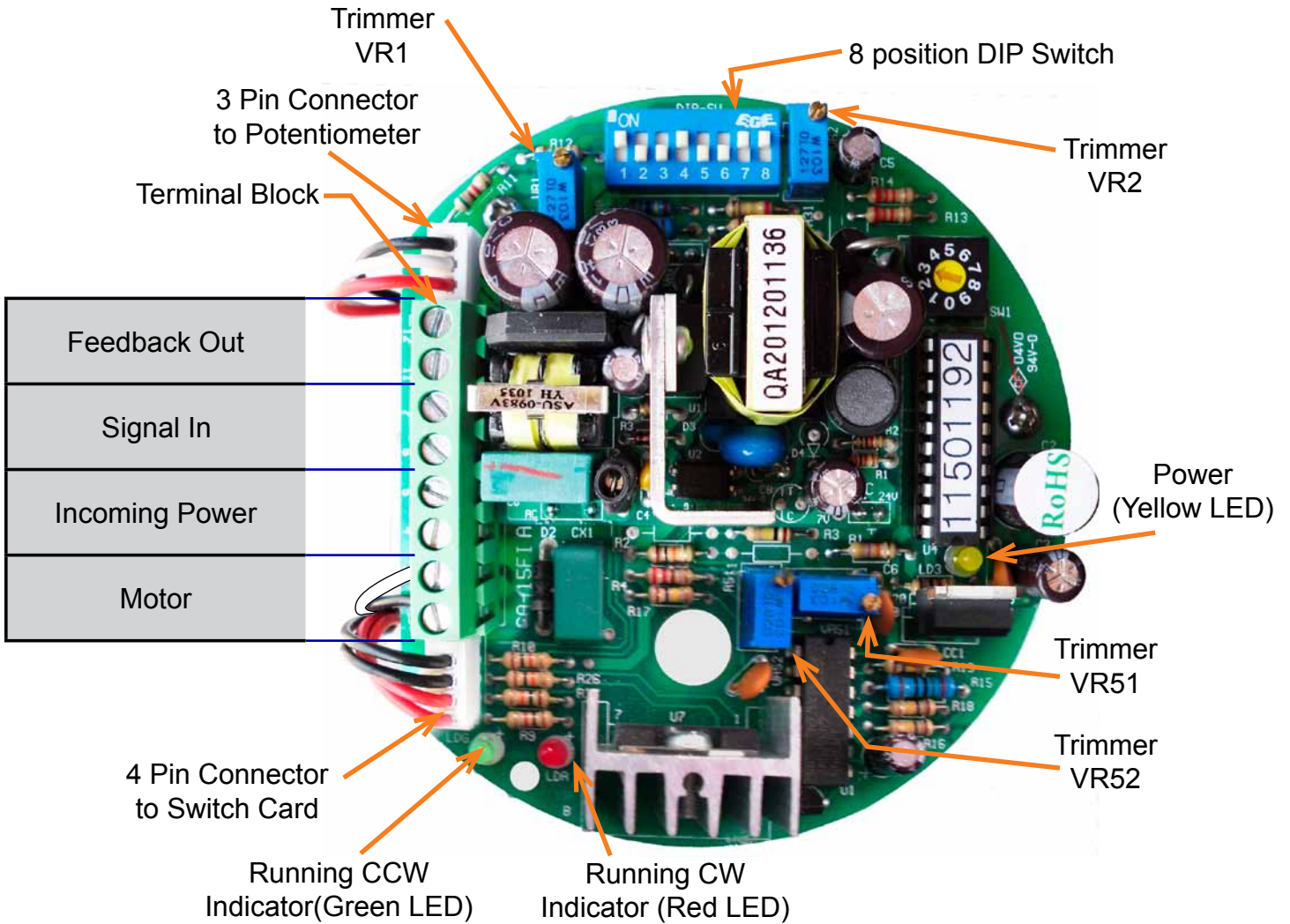
MAX distance between Actuator and Supply (feet)		
Actuator/ Voltage	P1 120VAC	P1 230VAC
Amps	0.6A	0.4A
Wire Gage		
18	1377	3960
16	2165	6223
14	3497	10052

Wire sizing data is provided in the Wire Sizing Data table to assist in the selection of the proper wire size for these actuators using various wire sizes over distance.

Please make sure to reference the correct voltage and do not exceed the indicated length of the wire run for each model.

Layout of Controller

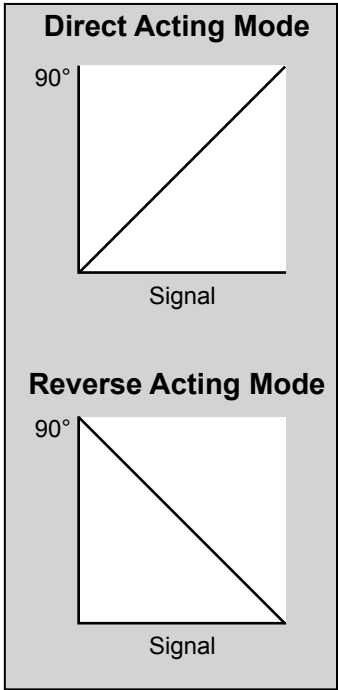
Proportional Control



Input, Feedback, Direct Acting, and Loss of Signal Table

DIP Switch Setting	DIP Switch Setting	DIP Switch Setting	Functions
DIP 1 On	DIP 2 Off		4-20mA Signal Input
DIP 1 Off	DIP 2 Off		1-5V Signal Input
DIP 1 Off	DIP 2 On		2-10V Signal Input
DIP 3 Off	DIP 4 On	Dip 5 Off	4-20mA Signal Output
DIP 3 On	DIP 4 Off	Dip 5 On	2-10V Signal Output
DIP 6 Off			Direct Acting Mode
	DIP 7 On	DIP 8 On	Stay in Place on LOSS of Input Signal
	DIP 7 Off	DIP 8 On	CW on LOSS of Input Signal
	DIP 7 On	DIP 8 Off	CCW on LOSS of Input Signal
DIP 6 On			Reverse Acting Mode
	DIP 7 On	DIP 8 On	Stay in Place on LOSS of Input Signal
	DIP 7 Off	DIP 8 On	CCW on LOSS of Input Signal
	DIP 7 On	DIP 8 Off	CW on LOSS of Input Signal

Default Settings



FM_P1 HV PNA(180) Ver L 052316

Check End of Travel Settings

The actuators are tested, calibrated and shipped in the Full CW position in the Direct Acting mode. End of Travel cams are set at 180 degrees from each other.

- A. Set the control device (valve or damper) to the closed position.
- B. Mount the actuator to the device to be controlled (valve or damper).
- C. Insure that the CW End of Travel cam trips the CW End of Travel switch at the correct CW point.
 - C.1. If the switch does not change state at the correct CW position, adjust CAM 2 per instructions on page 7.
- D. Manually move (using manual override) the actuator so the valve or damper is in the fully CCW position. This must be ≤ 180 degrees of the full CW position.
- E. Insure that the CCW End of Travel cam trips the CCW End of Travel switch at the correct CCW point.
 - E.1. If the switch does not change state at the correct CCW position, adjust CAM 1 per instructions on page 7.

If the End of Travel cams are adjusted at all, the actuator must be recalibrated.

- F. Test actuator and device with a control input signal to insure that control signal corresponds to correct actuator and device position.



Manual Override

Warning: DO NOT operate manual override when power is present. Geartrain damage and personal injury may occur.

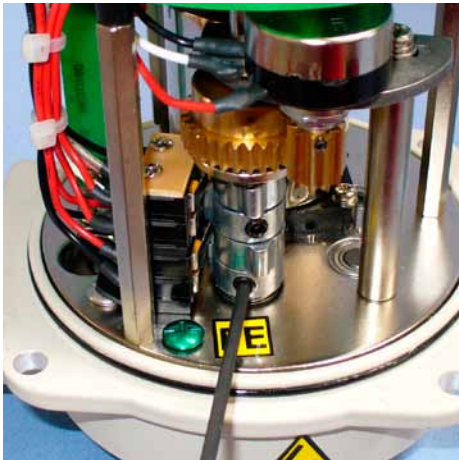
Do not use powered tools to turn the manual override -- it will DAMAGE the gear train or motor and VOID the warranty.

FM_P1 HV PN4(180) Ver L 052316

Adjusting CCW and CW positions (Cam adjustment)

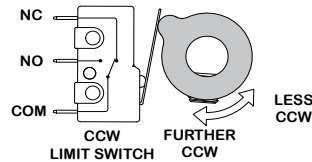
Remove power from this device BEFORE making any End of Travel cam adjustments.

Cam 1 Adjustment



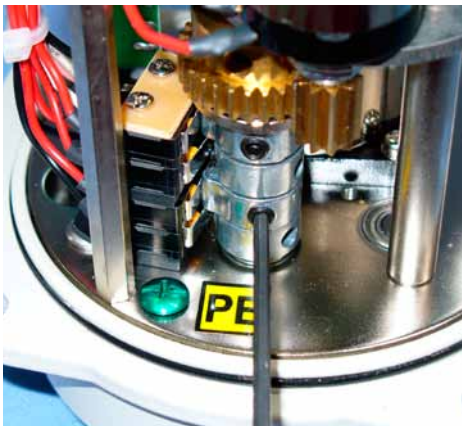
Cam 1

1. The lower cam is Cam 1, the CCW end-of-travel adjustment. Once the actuator is at its required CCW position, with POWER OFF, use a 2.5mm hex key to free up the cam set screw. Once it is free, rotate the hex key to the LEFT 10-15 degrees to reset the switch roller arm. Then snug the set screw up against the camshaft (CW) until slight pressure is felt. Then SLOWLY rotate the hex key pushing the cam to the RIGHT until you hear the “click” on the bottom switch indicating that correct adjustment has been achieved. Tighten the cam.



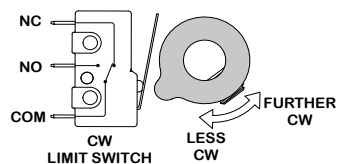
2. Apply power to the actuator and drive CW at least 15-20 degrees. Then drive the actuator CCW until the cam stops the electrical travel. Check to be sure this is the correct CCW position you require. Repeat step 1 if further adjustment is needed.
3. If using the Auxiliary Switches, adjust Cam 3 per instructions on page 8.

Cam 2 Adjustment



Cam 2

1. The second cam is Cam 2, the CW end of travel adjustment. Once the actuator is at its required CW position with POWER OFF, use a 2.5mm hex key to free up the cam set screw. Once it is free, rotate the hex key to the RIGHT 10-15 degrees to reset the switch roller arm. Then snug the set screw up against the camshaft (CW) until slight pressure is felt. Then SLOWLY rotate the hex key to the LEFT until you hear the “click” on the second switch indicating that correct adjustment has been achieved. Tighten the cam set screw.
2. Apply power to the actuator and drive CCW at least 15-20 degrees. Then drive the actuator CW until the cam stops the electrical travel. Check to be sure this is the correct CW position you require. Repeat step 1 if further adjustment is needed. Remove power from the actuator.
3. If using the Auxiliary Switches, adjust Cam 4 per instructions on page 8.



If the End of Travel cams are adjusted at all, the actuator must be recalibrated. Travel cams must be set with a rotation of 180 degrees or less for a successful Calibration.

Adjusting Auxiliary Switches

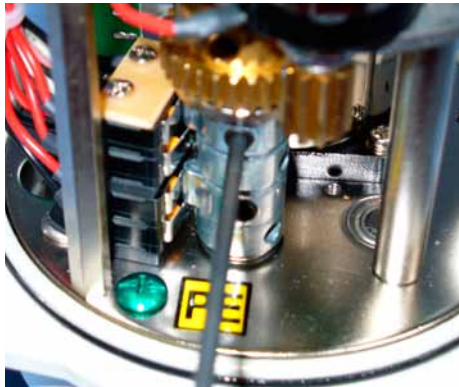
Remove power from this device BEFORE making any End of Travel cam adjustments.



Cam 3

Cam 3 Adjustment

1. The third cam is Cam 3, the CCW auxiliary switch adjustment. Drive the actuator to its CCW position. Then use a 2.5mm hex key to free up the cam set screw. Once it is free, rotate the hex key to the LEFT 10-15 degrees to reset the switch roller arm. Then snug the set screw up against the camshaft (CW) until slight pressure is felt. Then SLOWLY rotate the hex key and cam to the RIGHT until you hear the “click” on the third switch. **Continue to rotate the cam between 3 and 5 degrees to the RIGHT to make sure the auxiliary cam switch changes state before the actuator reaches its end of travel electrically.** Tighten the cam set screw.



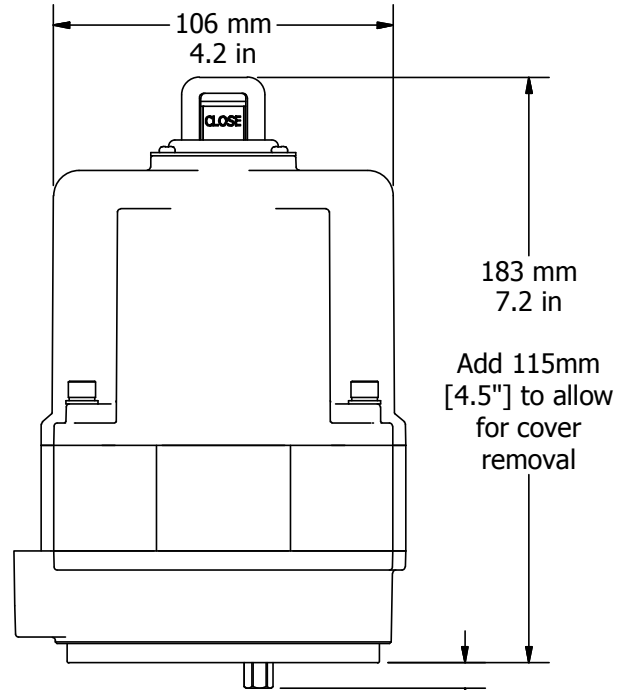
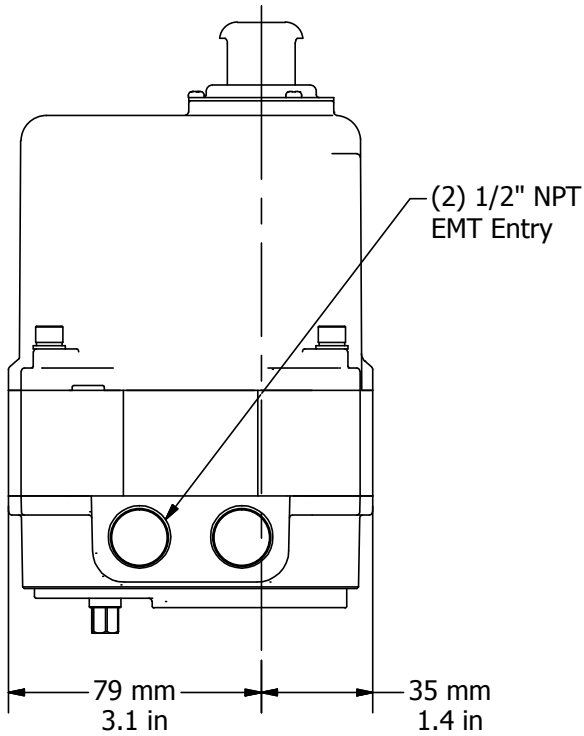
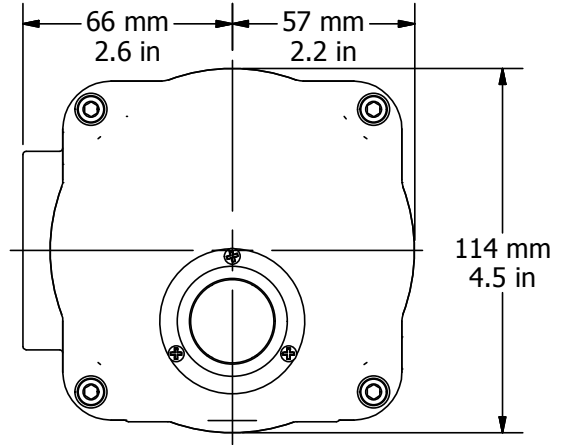
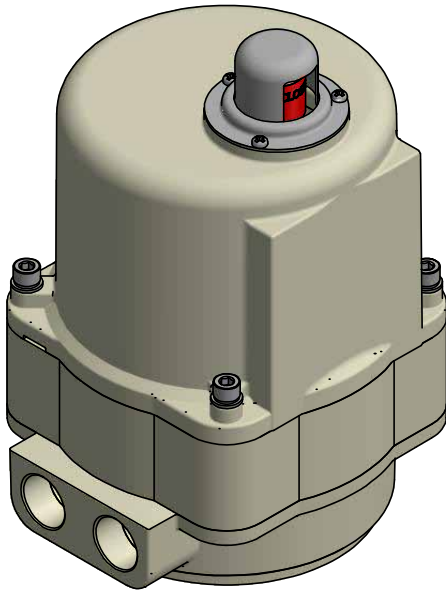
Cam 4

Cam 4 Adjustment

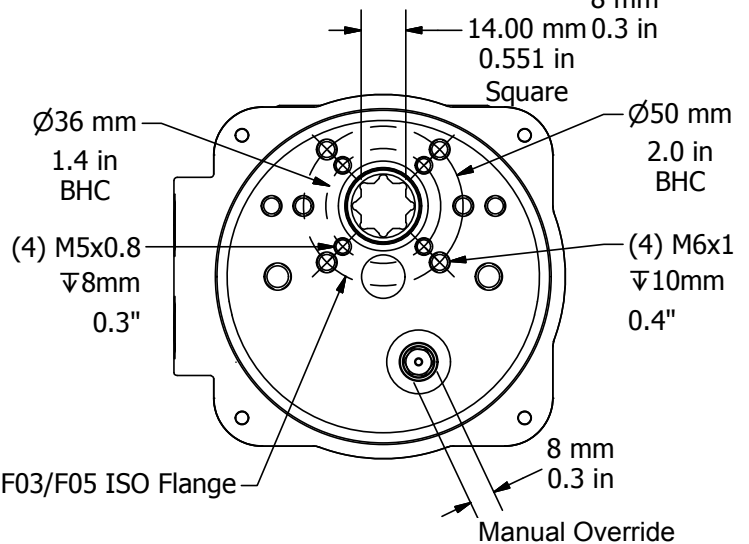
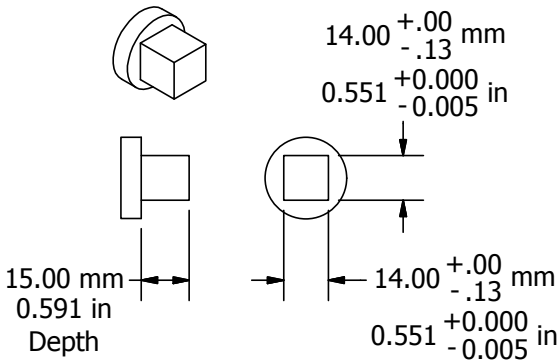
1. The fourth cam is Cam 4, the CW auxiliary switch adjustment. Drive the actuator to its CW position. Then use a 2.5mm hex key to free up the cam set screw. Once it is free, rotate the hex key to the RIGHT 10-15 degrees to reset the switch roller arm. Then snug the set screw up against the camshaft (CW) until slight pressure is felt. Then SLOWLY rotate the hex key to the LEFT until you hear the “click” on the fourth switch. **Continue to rotate the cam between 3 and 5 degrees to the LEFT to make sure the auxiliary cam switch changes state before the actuator reaches its end of travel electrically.** Tighten the cam set screw.

Mechanical Data

P1 Proportional Series Dimensional Data



Drive Coupling Fabrication Data

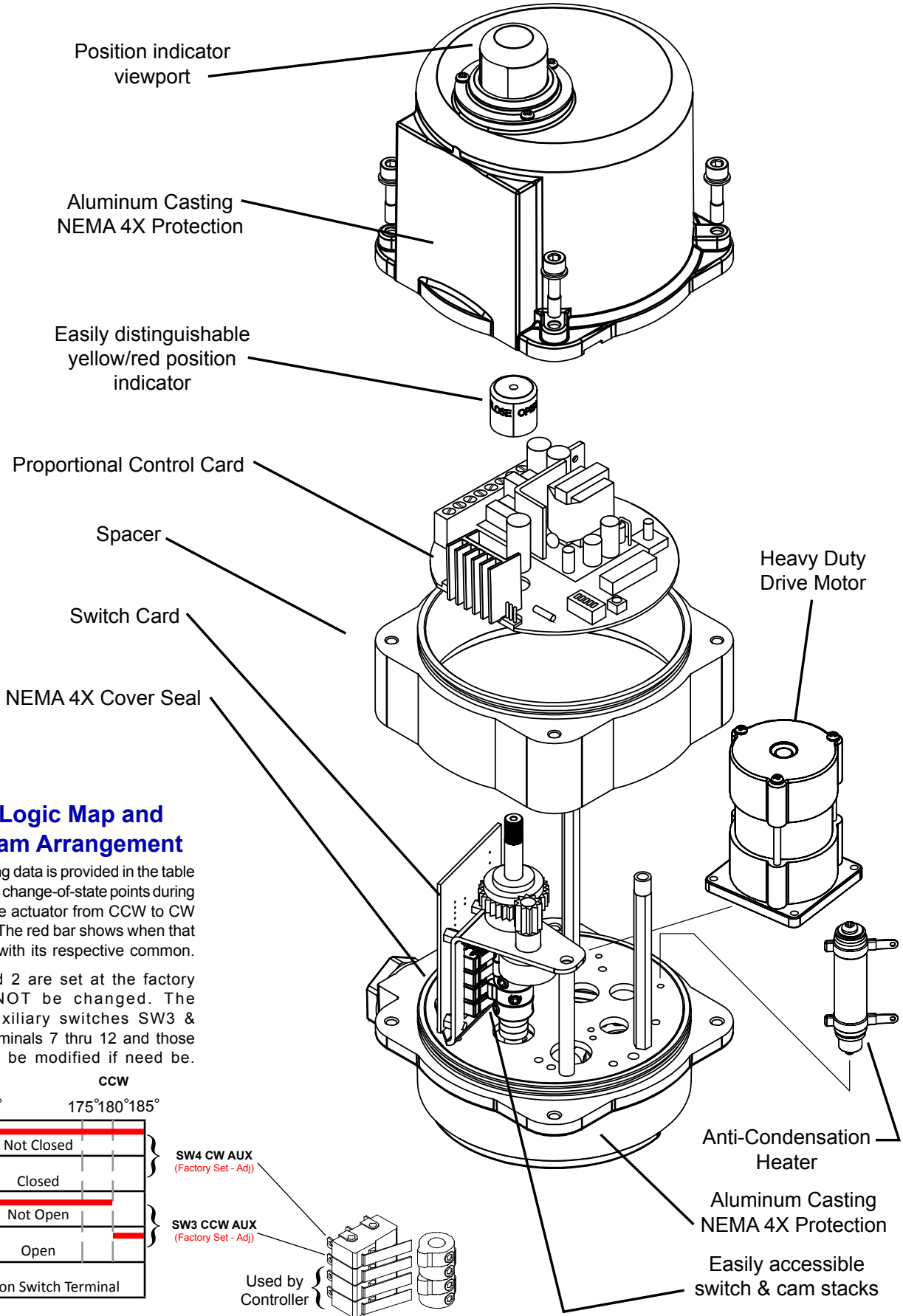


FW_P1 HV PN4 (180) Ver L 052316

Mechanical Data

P1 Series Exploded View

(P1-120PN4 unit is shown)



Switch Logic Map and Switch/Cam Arrangement

Switch sequencing data is provided in the table below to show the change-of-state points during the rotation of the actuator from CCW to CW and back again. The red bar shows when that terminal makes with its respective common.

Switches 1 and 2 are set at the factory and should NOT be changed. The INCLUDED auxiliary switches SW3 & SW4 are for terminals 7 thru 12 and those set points may be modified if need be.

	CW			CCW		
	-5°	0°	5°	175°	180°	185°
F	Not Closed					
E	Closed					
C	Not Open					
B	Open					
A	Common Switch Terminal					

SW4 CW AUX
(Factory Set - Adj)

SW3 CCW AUX
(Factory Set - Adj)

Commissioning

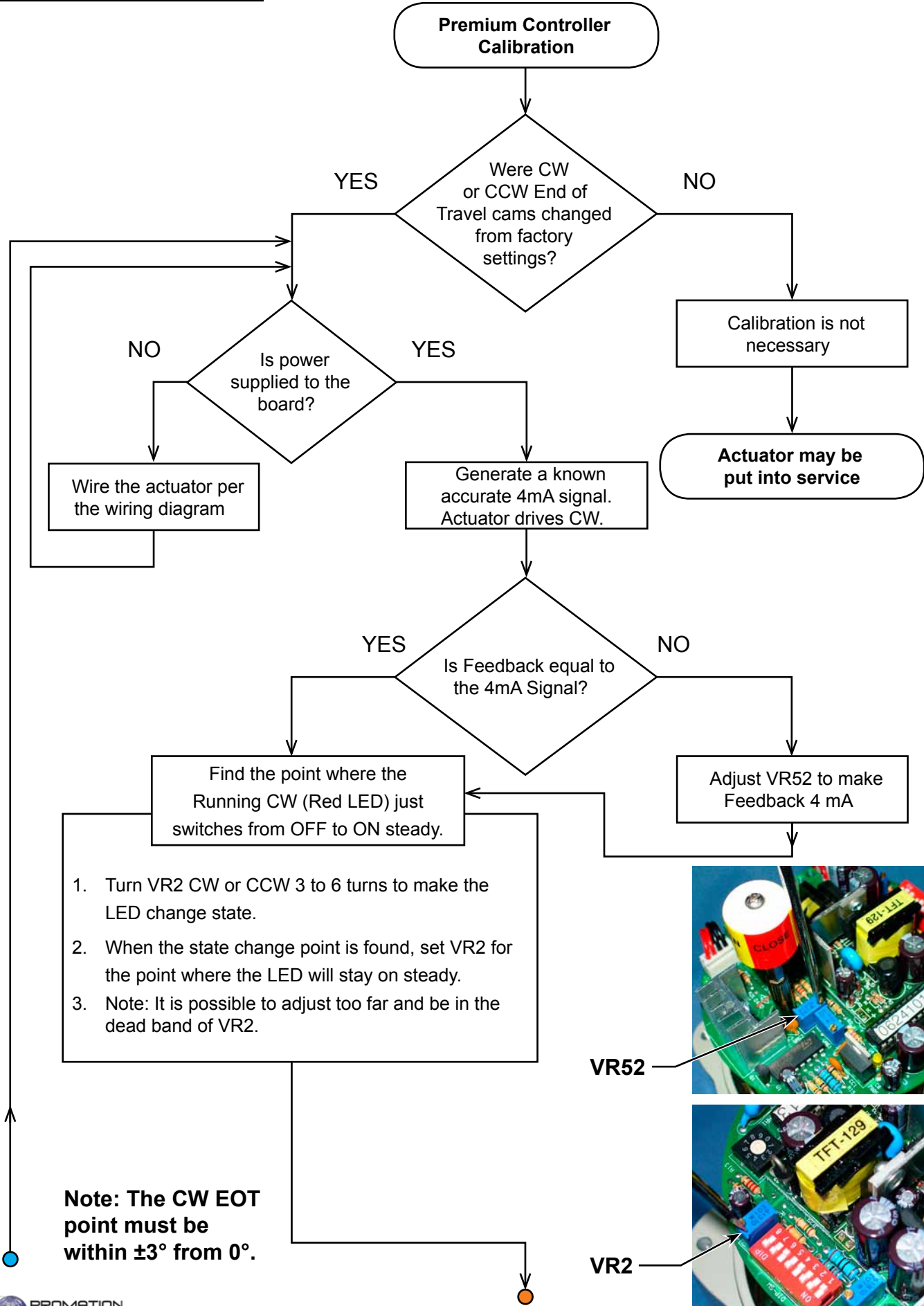
This procedure will assume that the actuator is installed correctly both mechanically and electrically with correct power at terminals marked 4 & 5 and control signal at terminals marked 6 & 7.

1. Apply the correct supply power to the actuator.
 - NOTE - Power is measured at terminals marked 4 & 5 on the actuator.
 - The POWER (Yellow) LED will illuminate whenever power is on.
2. Test Full CW and CCW Positions for **Direct Acting Mode** (DIP 6 set to OFF)
 - 2.A Generate a MAXIMUM control signal at the PLC or signal generator.
 - I. The actuator will drive to the full CCW position (as viewed from ABOVE the actuator).
 - II. If this is NOT the correct stop position, refer to Adjusting the actuator CCW position instructions for CAM 1 on Page 7 in this document.
 - 2.B Generate a MINIMUM control signal at the PLC or signal generator.
 - I. The actuator will drive to the full CW position (as viewed from ABOVE the actuator).
 - II. If this is NOT the correct stop position, refer to Adjusting the actuator CW position instructions for CAM 2 on Page 7 in this document.
3. Test Full CW and CCW Positions for **Reverse Acting Mode** (DIP 6 set to ON)
 - 3.A Generate a MAXIMUM control signal at the PLC or signal generator.
 - I. The actuator will drive to the full CW position (as viewed from ABOVE the actuator).
 - II. If this is NOT the correct stop position, refer to Adjusting the actuator CW position instructions for CAM 2 on Page 7 in this document.
 - 3.B Generate a MINIMUM control signal at the PLC or signal generator.
 - I. The actuator will drive to the full CCW position (as viewed from ABOVE the actuator).
 - II. If this is NOT the correct stop position, refer to Adjusting the actuator CCW position instructions for CAM 1 on Page 7 in this document.

NOTE- The feedback signal generator shows the 4-20mA or 2-10vdc position output at terminals marked 11 (-) & 12 (+).

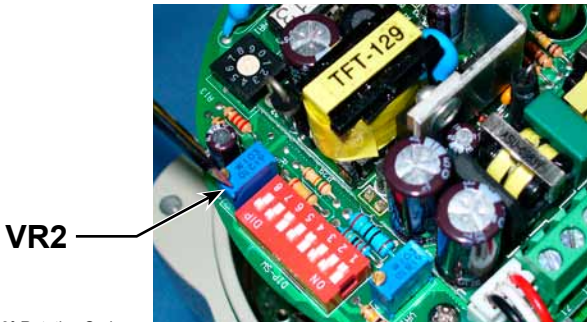
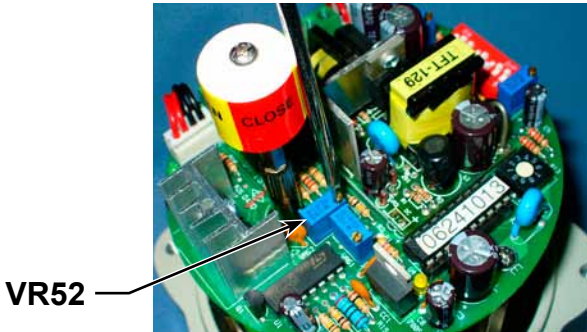
IF THE END OF TRAVEL CAMS ARE ADJUSTED, THEN THE ACTUATOR MUST BE RECALIBRATED. REFER TO CALIBRATION PROCEDURE ON PAGE 12.

Calibration Procedure

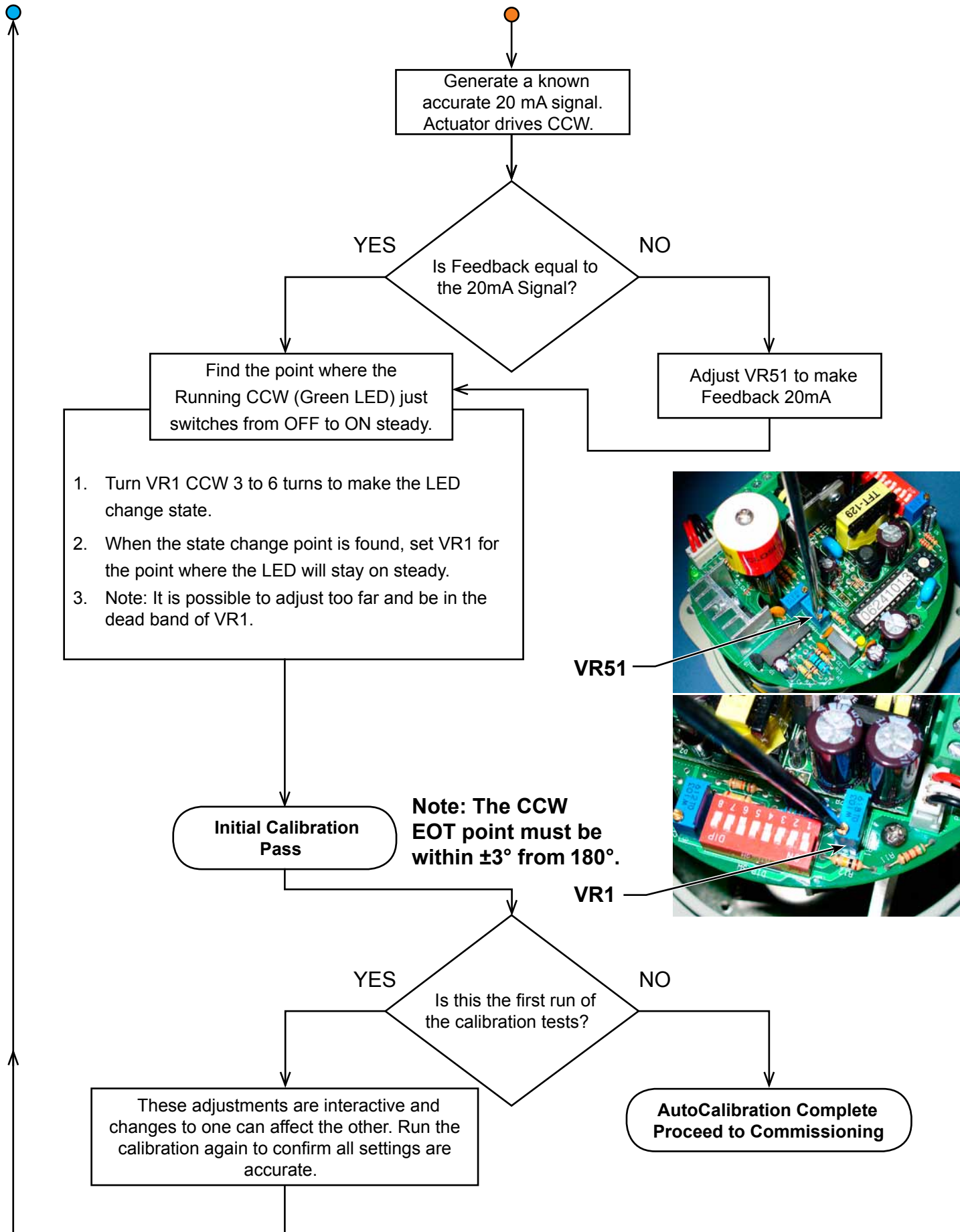


1. Turn VR2 CW or CCW 3 to 6 turns to make the LED change state.
2. When the state change point is found, set VR2 for the point where the LED will stay on steady.
3. Note: It is possible to adjust too far and be in the dead band of VR2.

Note: The CW EOT point must be within $\pm 3^\circ$ from 0° .



FM_P1 HV PN4(180) Ver L 052316



FM_P1 HV PNA(180) Ver L 052316

Industrial Applications

ProMation Engineering actuators have been installed to operate process controls such as butterfly valves, ball valves, high performance valves, plug valves, gate valves and dampers, in a broad range of demanding industrial applications.

**Power
Generation**



**Water
Processes**



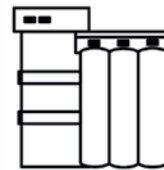
Mining



Oil and Gas



Agriculture



Chemicals



Complete Support

ProMation Engineering is committed to providing superior customer support for your sales, project management and installation teams. Contact us today.

Full Documentation

We offer complete wiring diagrams, field installation manuals and set up documentation for all our products, both in printed and digital form. We regularly host customized educational webinars for our customers.

RapidQuote

Most quotes and estimates are generated within hours of the request.

ProMation Engineering Services

ProMation Engineering can provide design and technical services for OEM's, projects with customized requirements and specialized operations.

ProMation Engineering follows a policy of continual product updates and enhancements. Our website is the best place to obtain the latest product documentation, including the wiring diagrams for these controllers. Visit us at www.promationei.com or use the code to link to the site.



**PROMATION
ENGINEERING**

Precision Actuation for Industry

16138 Flight Path Drive
Brooksville, FL 34604

Phone (352) 544-8436 Fax (352) 544-8439

email: sales@promationei.com



Use your smart phone barcode scanner app here.