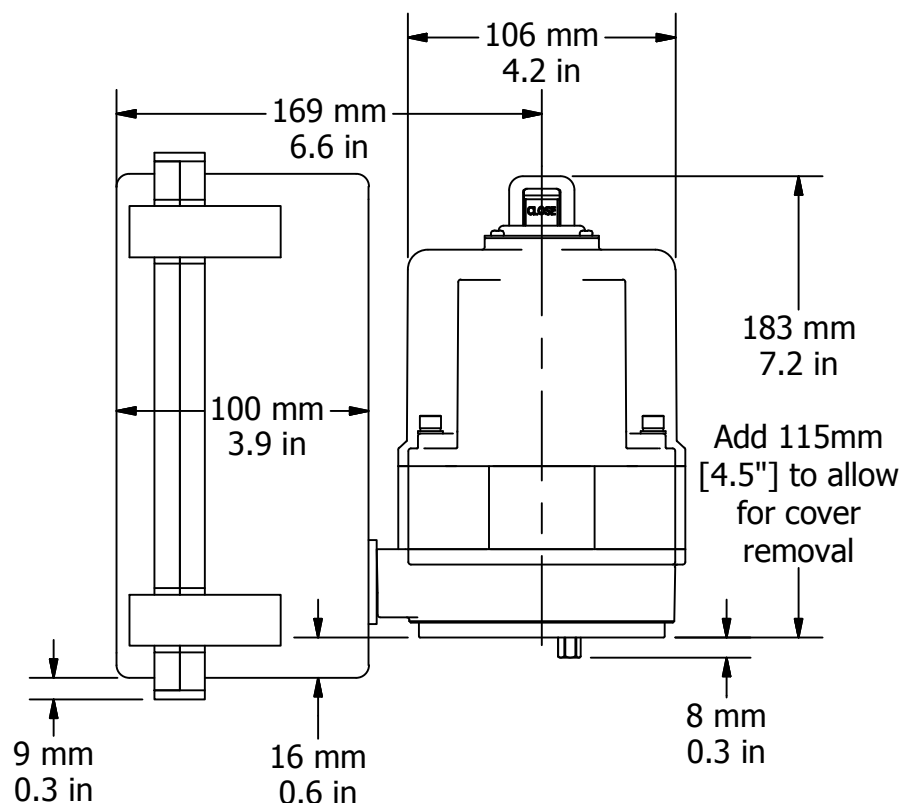
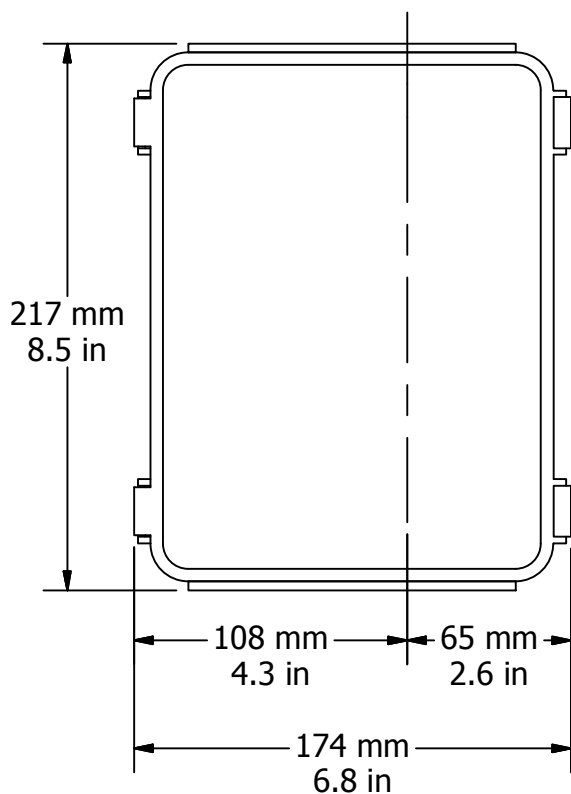
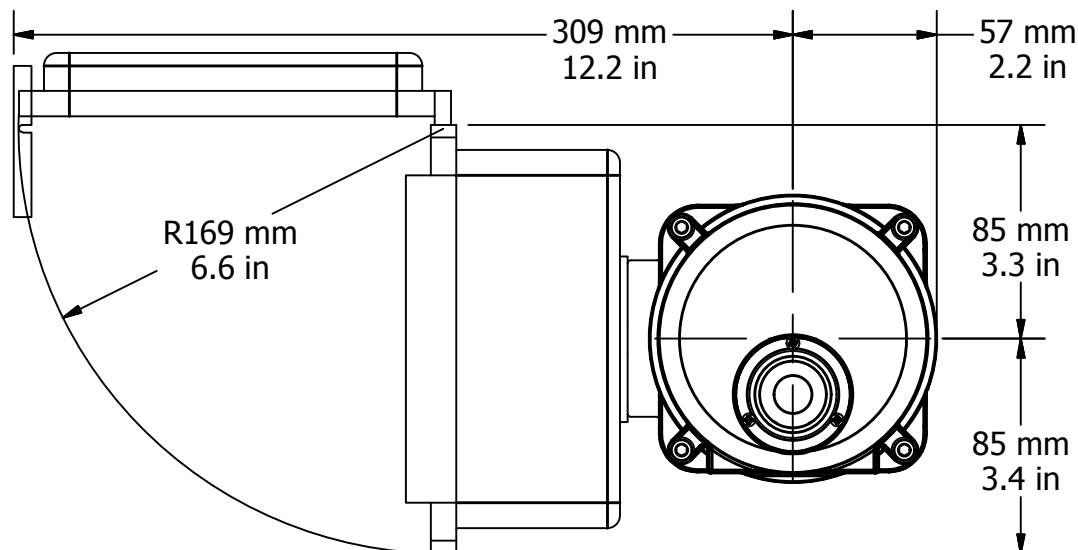
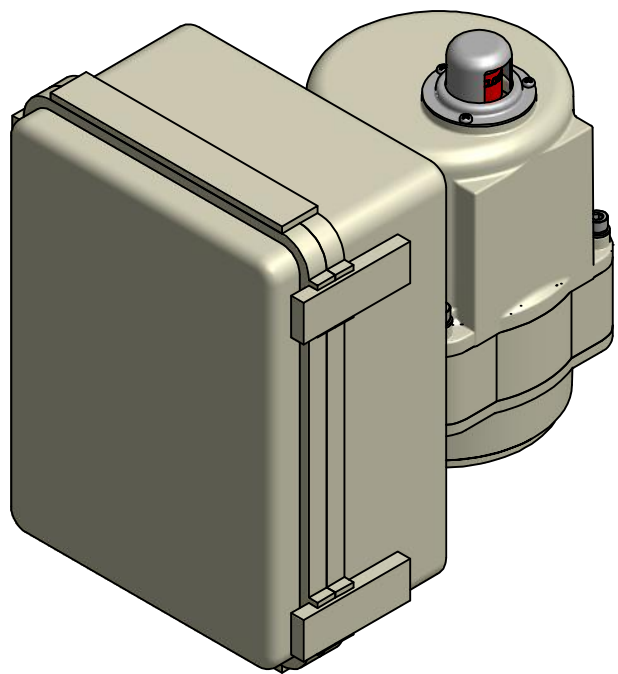


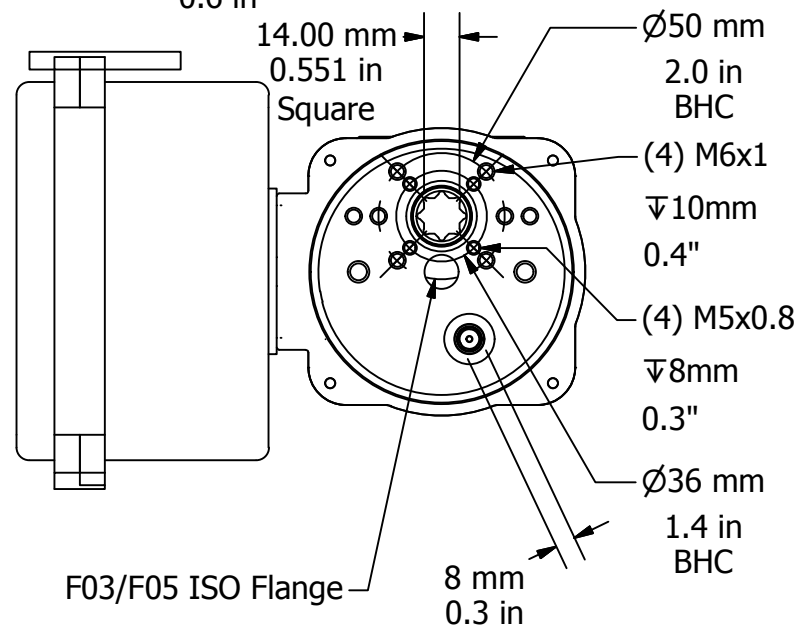
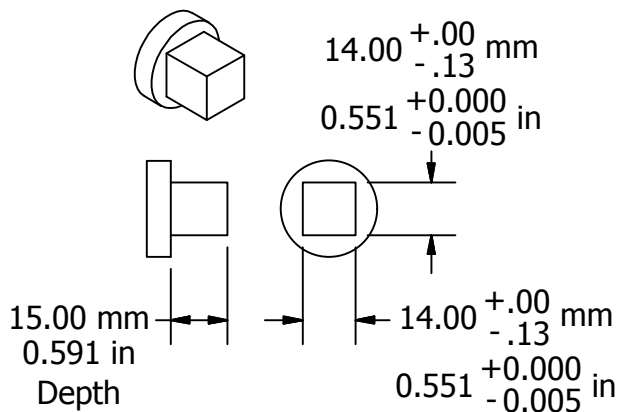
1

2

Engineering Change Notice			
REV	Change Date	Description	Name
A	03.11.2014	New Document	KHL
B	03.12.2014	Lowered P1 holes on the enclosure which lowered actuator in relation to the enclosure	KHL
C	04.15.2014	Added tolerance on drive coupling data	KHL
D	10.07.2014	Pushed square dimension to three decimal places	KHL
E	04.08.2015	Added Isometric view of Drive Coupling and "Depth" tag for clarity	KHL
F			



Drive Coupling Fabrication Data



Drawn By KHL	Created: 3/11/2014
Checked By KHL	Last Checked: 4/8/2015
Material	Finish
Dimensional Tolerances (Unless Otherwise Noted): X ± 2.5mm [X.X ± .1] X.X ± .3mm [X.XX ± .01"] X.XX ± .13mm [X.XXX ± .005"] ALL TOLERANCE FEATURES IN mm	

Part No.	This Document is the property of ProMation Engineering, Inc. Distribution of this document without the written consent of the owner is Strictly forbidden. Failure to comply will incur a liability for Damages.
Promation Engineering Inc. 16138 Flight Path Drive Brooksville, FL 34604	
Phone: 352-544-8436 Fax: 352-544-8439	

<b>ProMation Engineering, Inc.</b>		
Dwg. Name	P1 Prop with 864 Fiberglass Enclosure F05 8P14 DimData.idw	
	P1 Prop. w/ Enclosure Dimensional Data	Rev. E
Dimensional Data for P1 Proportional Actuators with 8"x6"x4" Fiberglass Enclosure		
NO SCALE		Sheet Number: 1

1

2