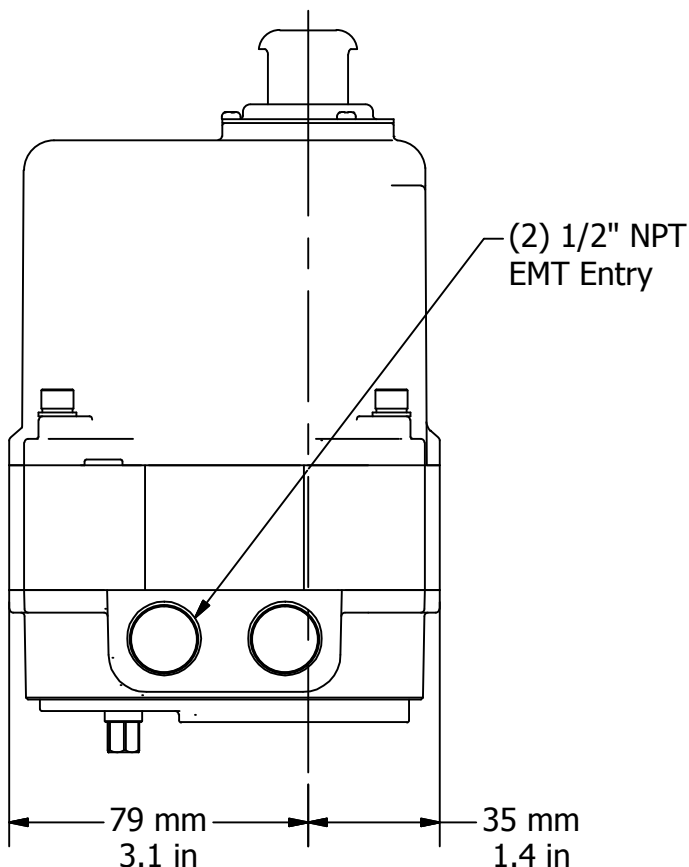
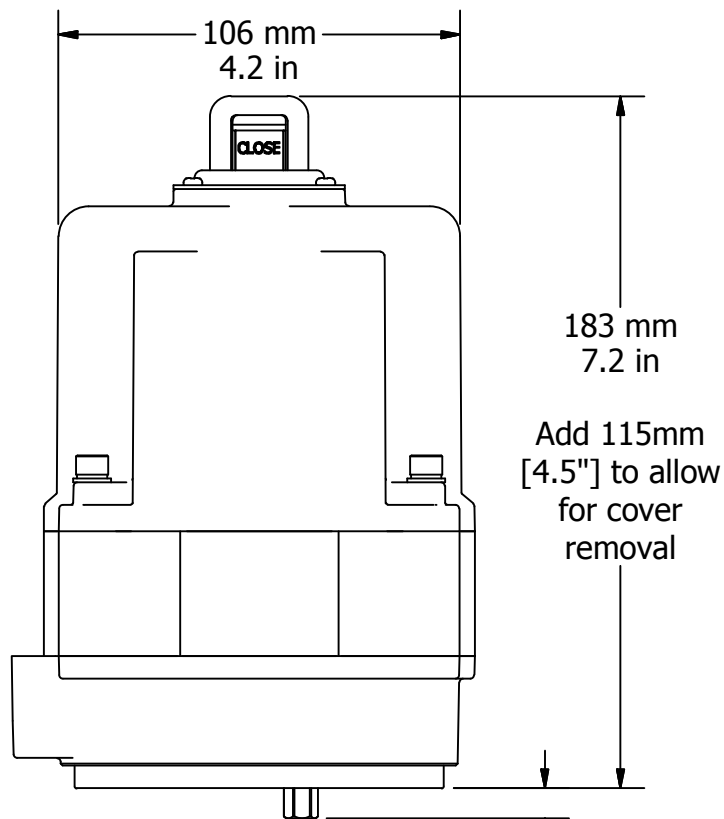
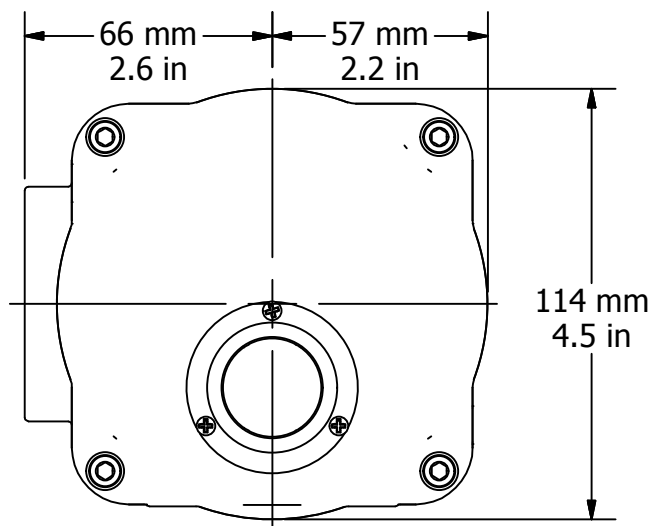
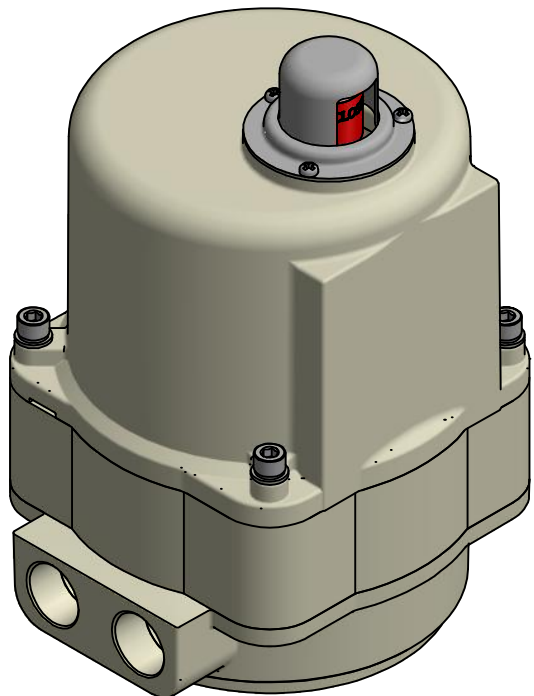


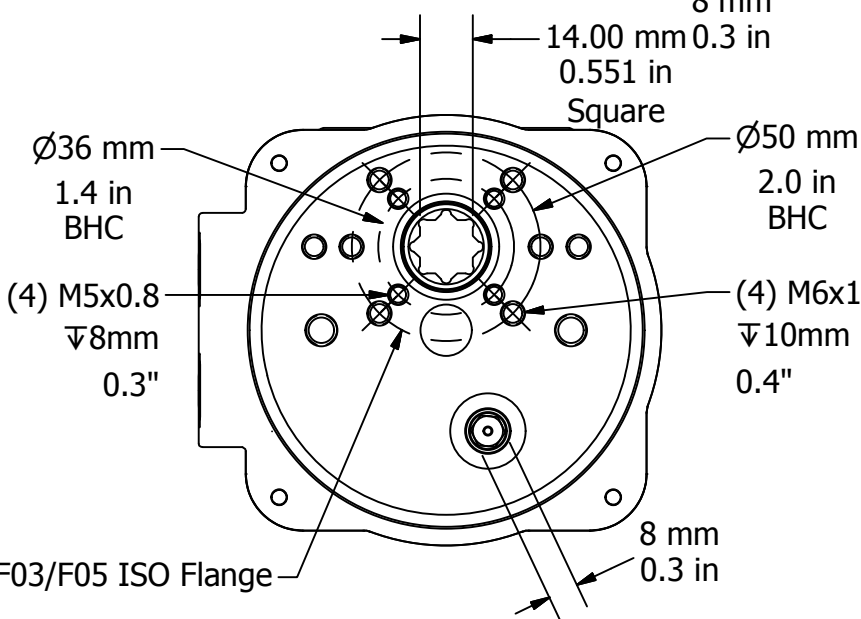
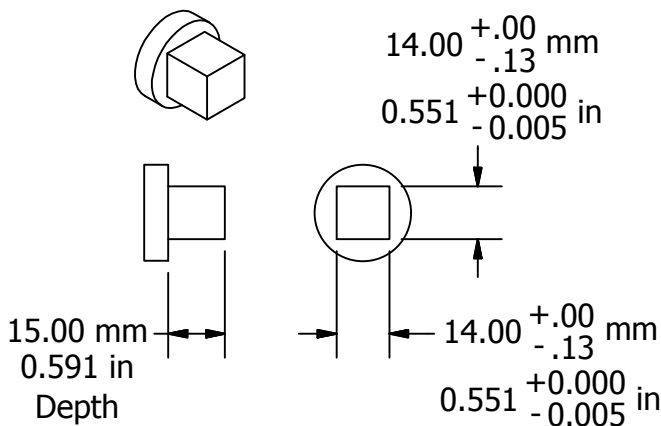
1

2

Engineering Change Notice			
REV	Change Date	Description	Name
A	08.21.2013	New Document	KHL
B	04.15.2014	Added tolerance on drive coupling data	KHL
C	10.07.2014	Pushed square dimension to three decimal places	KHL
D	04.08.2015	Added Isometric view of Drive Coupling and "Depth" tag for clarity	KHL
E			
F			



Drive Coupling Fabrication Data



Drawn By KHL	Created: 4/24/2013	Part No.	<b>ProMation Engineering, Inc.</b>		
Checked By KHL	Last Checked: 4/8/2015	This Document is the property of ProMation Engineering, Inc. Distribution of this document without the written consent of the owner is Strictly forbidden. Failure to comply will incur a liability for Damages.	Dwg. Name P1 F05 8P14 DimData.idw		
Material	Finish			Rev. D	
Dimensional Tolerances (Unless Otherwise Noted): X ± 2.5mm [X.X ± .1] X.X ± .3mm [X.XX ± .01"] X.XX ± .13mm [X.XXX ± .005"] ALL TOLERANCE FEATURES IN mm		Promation Engineering Inc. 16138 Flight Path Drive Brooksville, FL 34604	Phone: 352-544-8436 Fax: 352-544-8439	P1 Dimensional Data for Proportional Units	
		NO SCALE		Sheet Number: 2	

1

2