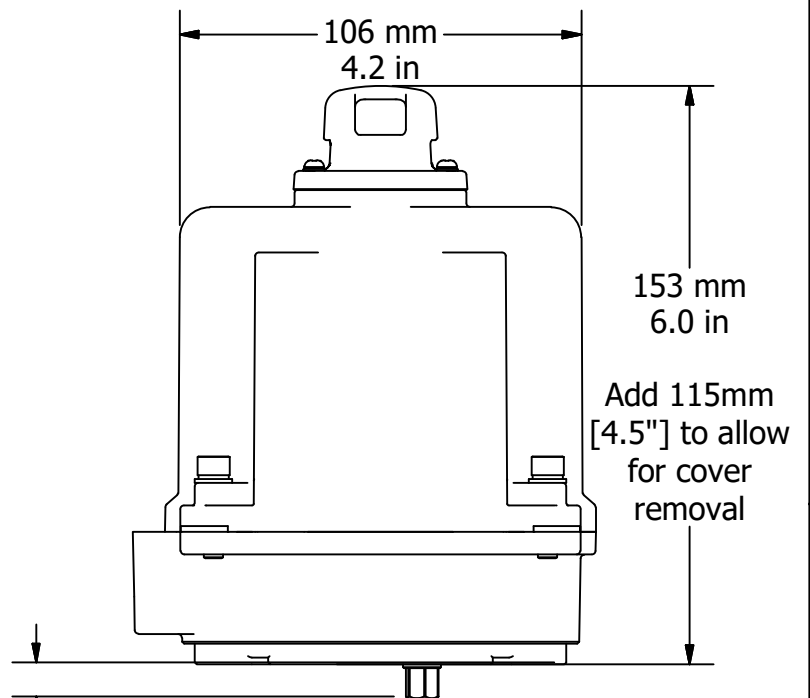
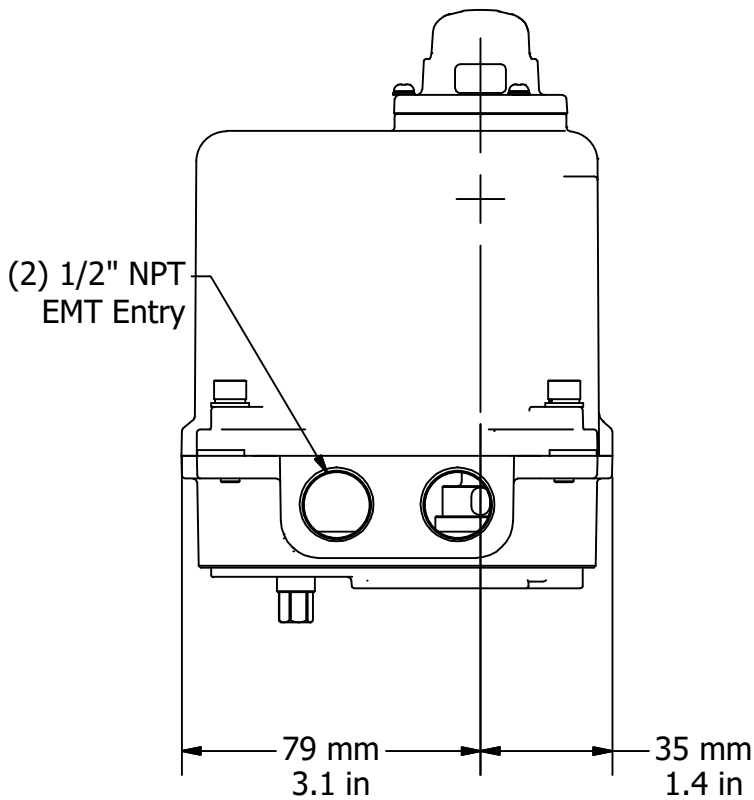
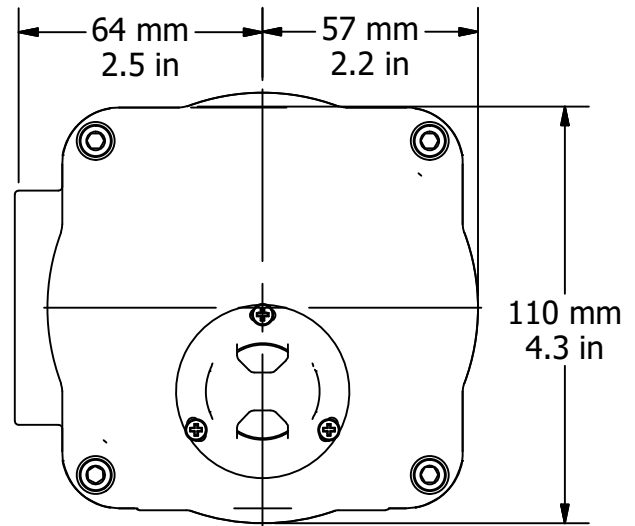
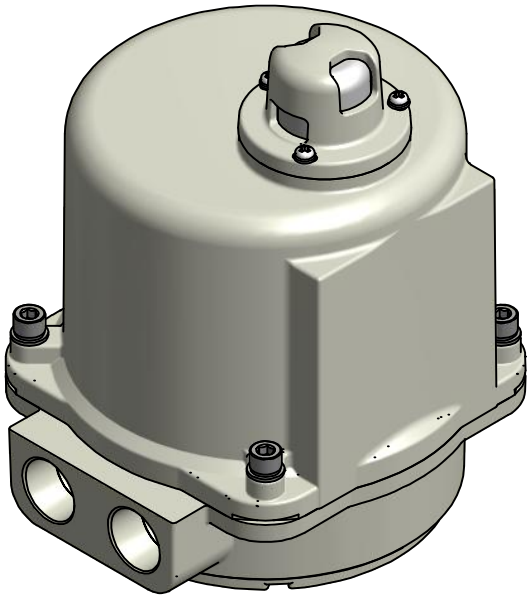
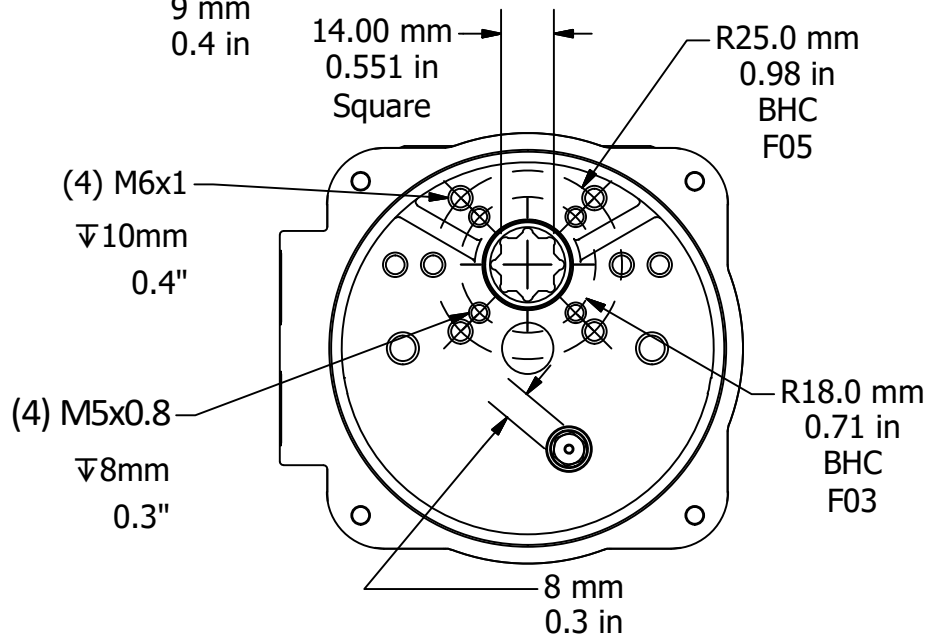
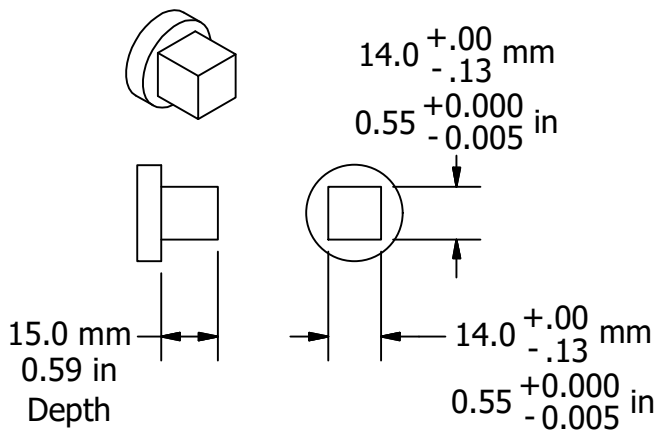


Engineering Change Notice			
REV	Change Date	Description	Name
C	04.25.13	Transferred document into Inventor file	DJG
D	04.15.13	Added tolerance on drive coupling data	
E	10.07.2014	Pushed square dimension to three decimal places	KHL
F	04.08.2015	Added Isometric view of Drive Coupling and "Depth" tag for clarity	KHL
G	01.28.21	Added indicator AL dome	KHL
H			KHL



Drive Coupling Fabrication Data



Drawn By DJG	Created: 4/24/2013
Checked By KHL	Last Checked: 4/8/2015
Material	Finish
Dimensional Tolerances (Unless Otherwise Noted): X ± 2.5mm [X.X ± .1] X.X ± .3mm [X.XX ± .01"] X.XX ± .13mm [X.XXX ± .005"] ALL TOLERANCE FEATURES IN mm	

Part No.	This Document is the property of ProMation Engineering, Inc. Distribution of this document without the written consent of the owner is Strictly forbidden. Failure to comply will incur a liability for Damages.
Promation Engineering Inc. 16138 Flight Path Drive Brooksville, FL 34604	
Phone: 352-544-8436 Fax: 352-544-8439	

<b>ProMation Engineering, Inc.</b>	
Dwg. Name	P1 F05 8P14 DimData.idw
Rev.	G
Dimensional Data for P1 On/Off Actuators	
NO SCALE	Sheet Number: 1